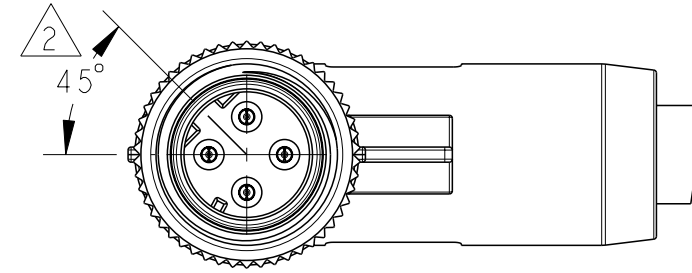
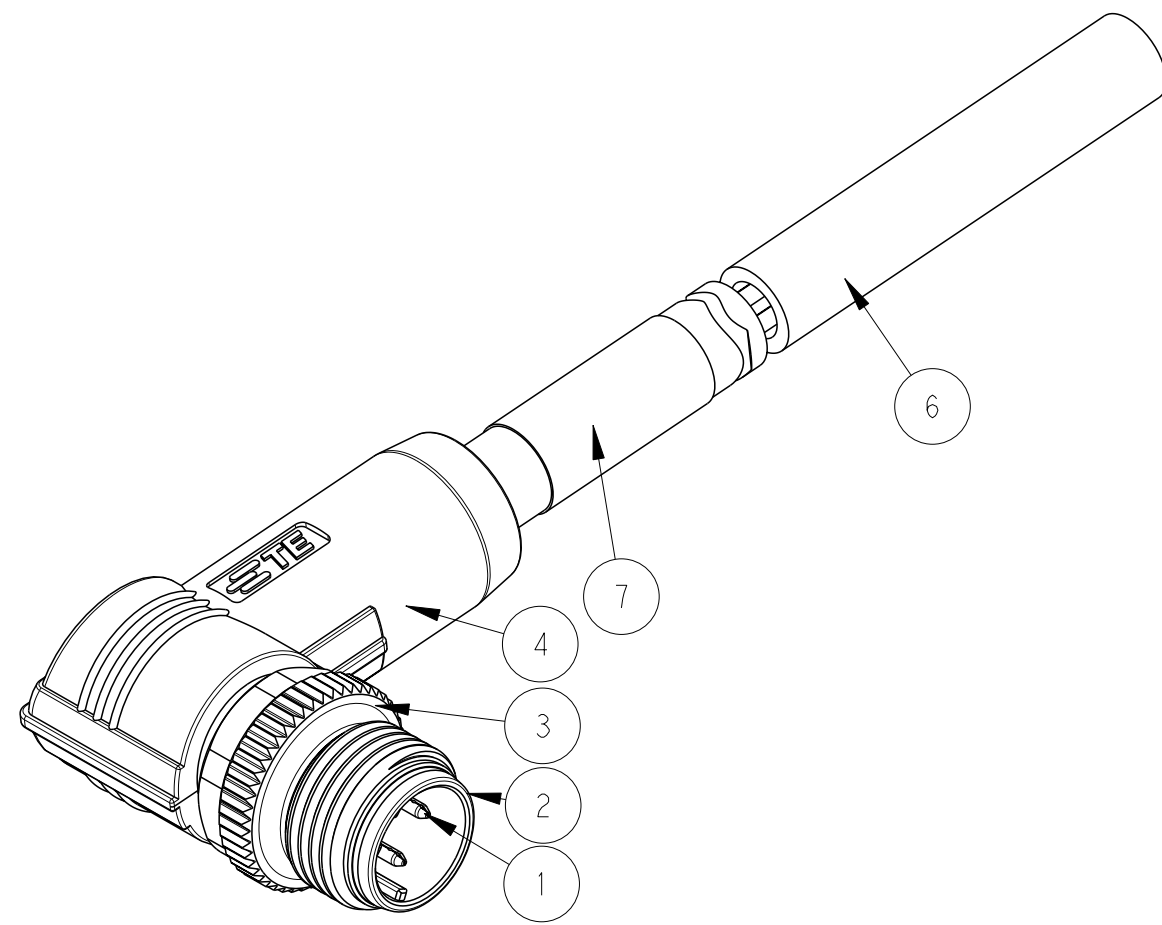
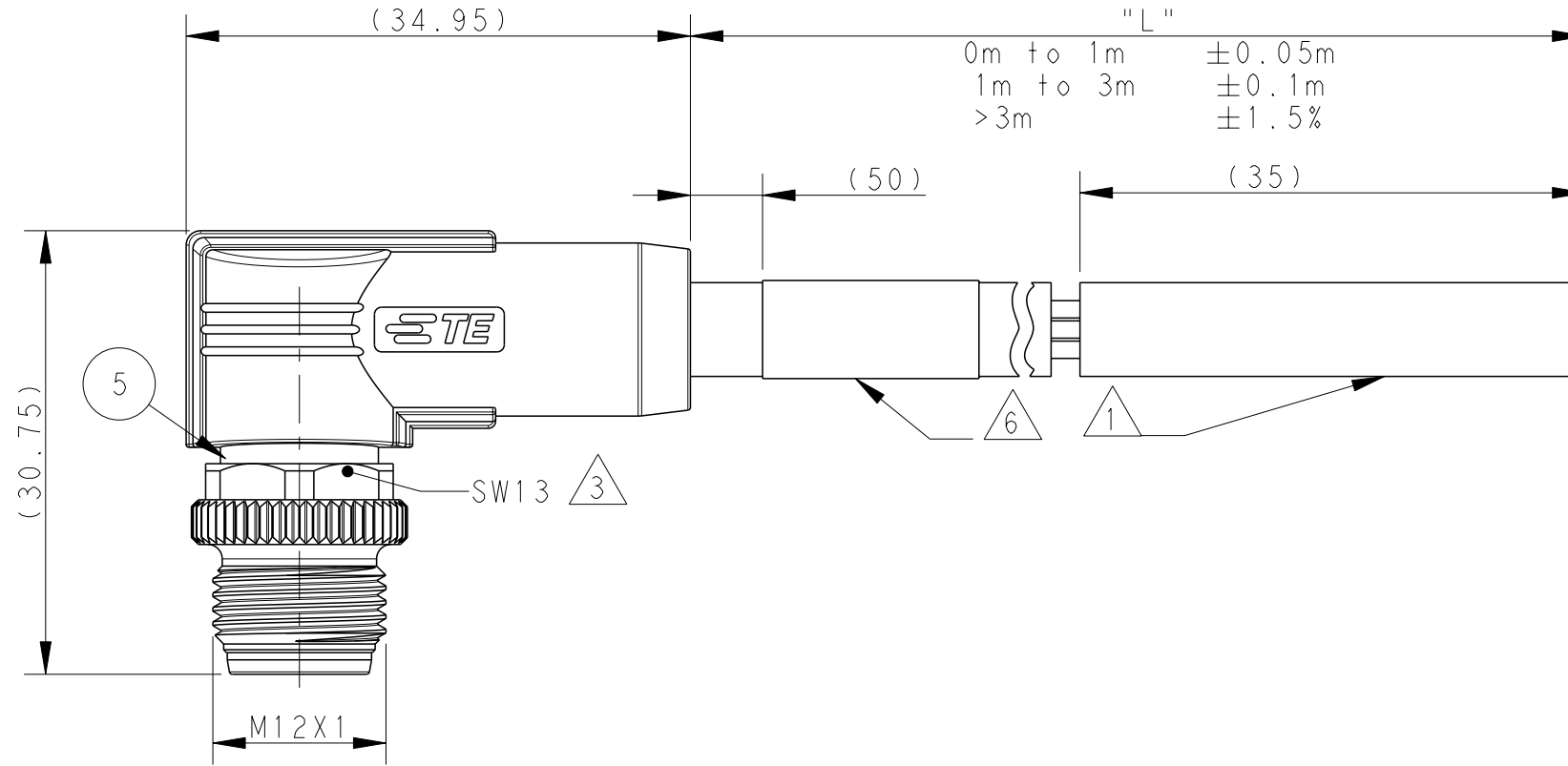


THIS DRAWING IS UNPUBLISHED. RELEASED FOR PUBLICATION 20
 © COPYRIGHT 20 BY - ALL RIGHTS RESERVED.

ITEM	DESCRIPTION	MATERIAL	OTHERS
1	MALE CONTACT	COPPER ALLOY	GOLD PLATED
2	HOUSING	NYLON	BLACK
3	COUPLING NUT	COPPER ALLOY	NICKEL PLATED
4	OVER-MOLDING	TPU	BLACK
5	SHIELDED SHELL	COPPER ALLOY	NICKEL PLATED
6	CABLE	TPE	TEAL
7	LABEL	-	-



REVISIONS				
P	LTR	DESCRIPTION	DATE	APVD
	A	INITIAL RELEASE	10MAR2021	AZ CW

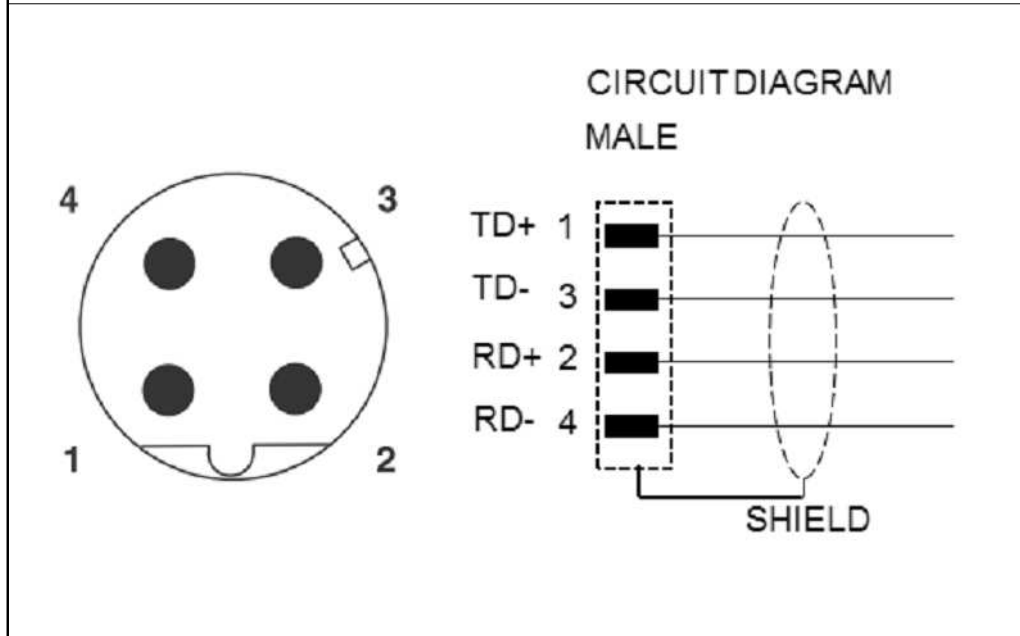
NOTE:

- ① STRIP AND RETAIN THE INSULATION
- ② CODE POSITION INDICATOR
- ③ RECOMMENDED TORQUE 0.6 Nm
- ④ -** : CABLE LENGTH, FOR EXAMPLE: -0.5M
- 5. CABLE ASSEMBLY TO BE PACKAGED IN POLYBAGS
- ⑥ LABEL CONTAINS: PN, DATE CODE...
- ⑦ -XXX: FOR CABLE LENGTH, REFER TO LENGTH "L"

注释:

- ① 剥线并保留护套绝缘层
- ② CODE位置指示
- ③ 推荐扭矩0.6 Nm
- ④ -** : 线缆长度, 例如: -0.5M
- 5. 线缆组件塑料袋包装
- ⑥ 标签包含: 产品编号, 日期代码...
- ⑦ -XXX: 线缆长度, 参照长度 "L"

PIN ARRANGEMENT	
D-CODE	
PIN 1 TD+	WHITE-ORANGE 白-橙
PIN 2 RD+	WHITE-GREEN 白-绿
PIN 3 TD-	ORANGE 橙
PIN 4 RD-	GREEN 绿



WIRES: 2X2X24AWG WIRE COLOR: GREEN X WHITE/GREEN ORANGE X WHITE/ORANGE OD: APPROX. 6.6MM TEMPERATURE RATING: 80°C UL OPERATING TEMP RATING: -40°C To +80°C C-TRACK: 35 MILLION CYCLE, 4" RADIUS TORSION: 3 MILLION CYCLE (+/- 270°)	TYPICAL LENGTH: -001: 0.5M -002: 1.0M -020: 2.0M -005: 5.0M -007: 10.0M -150: 15.0M -200: 20.0M -250: 25.0M -300: 30.0M	TEAL	TPE	M12D4-MR-TPE SH-**④	4	TAD1423A201-XXX⑦
CABLE CHARACTERISTIC	LENGTH "L"	JACKET COLOR	JACKET MATERIAL	TYPE	POS.	TE PN

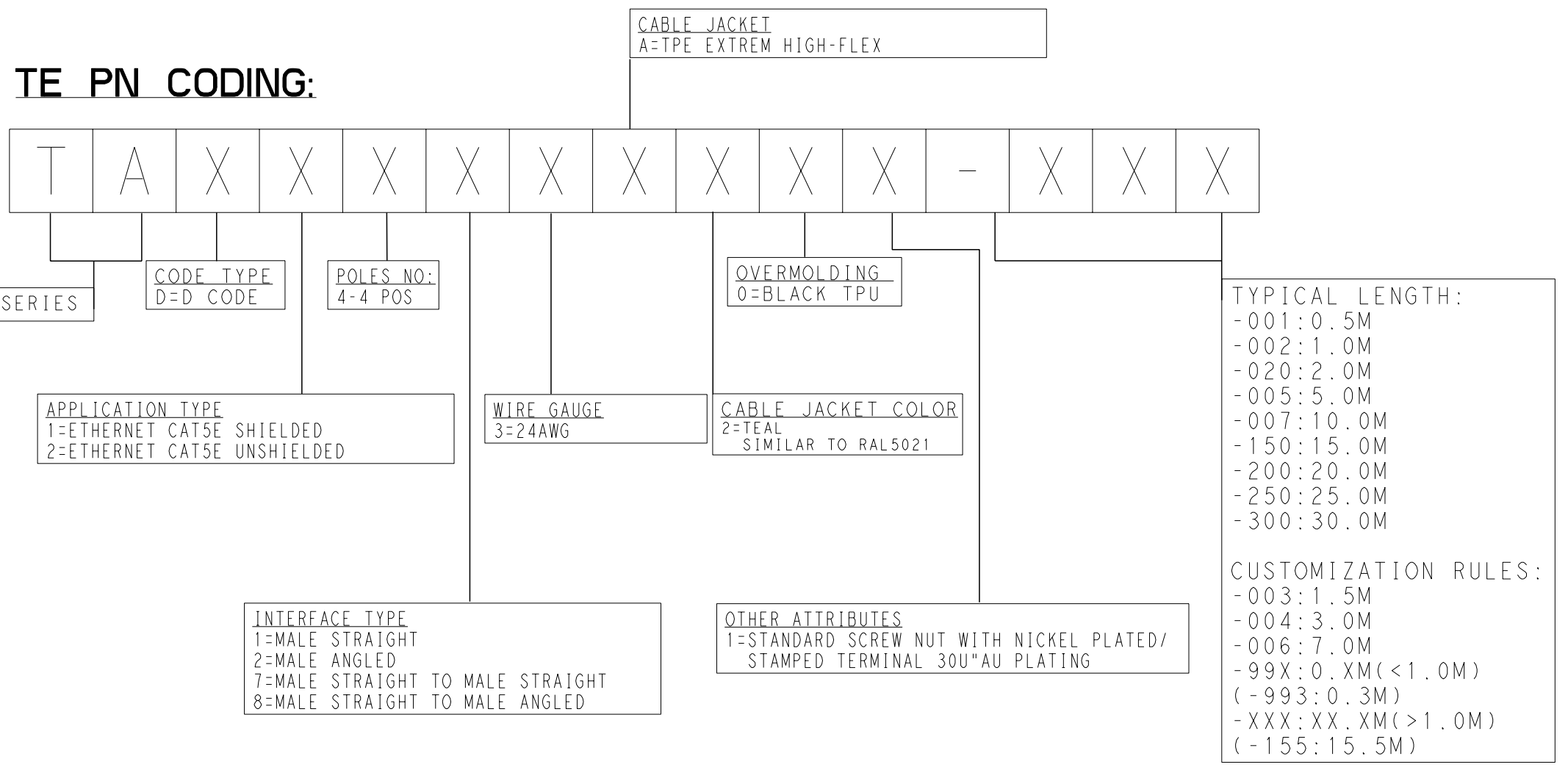
THIS DRAWING IS A CONTROLLED DOCUMENT.

DIMENSIONS: mm	TOLERANCES UNLESS OTHERWISE SPECIFIED:	DWN ALEX ZHANG 12MAR2020	TE Connectivity
		CHK HART HE 12MAR2020	
		APVD CHRIS WANG 12MAR2020	
		PRODUCT SPEC 108-106140	
		APPLICATION SPEC 114-137144	NAME M12 D CODE CABLE ASSY, SHIELDED 4P, MR FREE END
MATERIAL	FINISH	WEIGHT	SIZE A2
			CAGE CODE -
			DRAWING NO. G-TAD1423A201XXX
			RESTRICTED TO -
			SCALE 2:1 SHEET 1 OF 2 REV A


THIS DRAWING IS UNPUBLISHED. RELEASED FOR PUBLICATION 20
 © COPYRIGHT 20 BY - ALL RIGHTS RESERVED.

REVISIONS				
P	LTR	DESCRIPTION	DATE	APVD
-		SEE SHEET 1	-	-

TECHNICAL DATA	
RATED VOLTAGE	250V 30V(UL)
RATED CURRENT	4A 1.5A(UL)
POLLUTION DEGREE	3
OVERVOLTAGE CATEGORY	II
MATERIAL GROUP	II
DEGREE OF PROTECTION	IP67



THIS DRAWING IS A CONTROLLED DOCUMENT.

DWN	12MAR2020	 TE Connectivity	NAME M12 D CODE CABLE ASSY, SHIELDED 4P, MR FREE END
CHK	ALEX ZHANG		
CHK	HART HE		
APVD	CHRIS WANG		
PRODUCT SPEC	108-106140	SIZE	A2
APPLICATION SPEC	114-137144	CAGE CODE	-
MATERIAL	-	DRAWING NO	G-TAD1423A201XXX
		RESTRICTED TO	-
		SCALE	2:1
		SHEET	2 OF 2
		REV	A

CUSTOMER DRAWING