

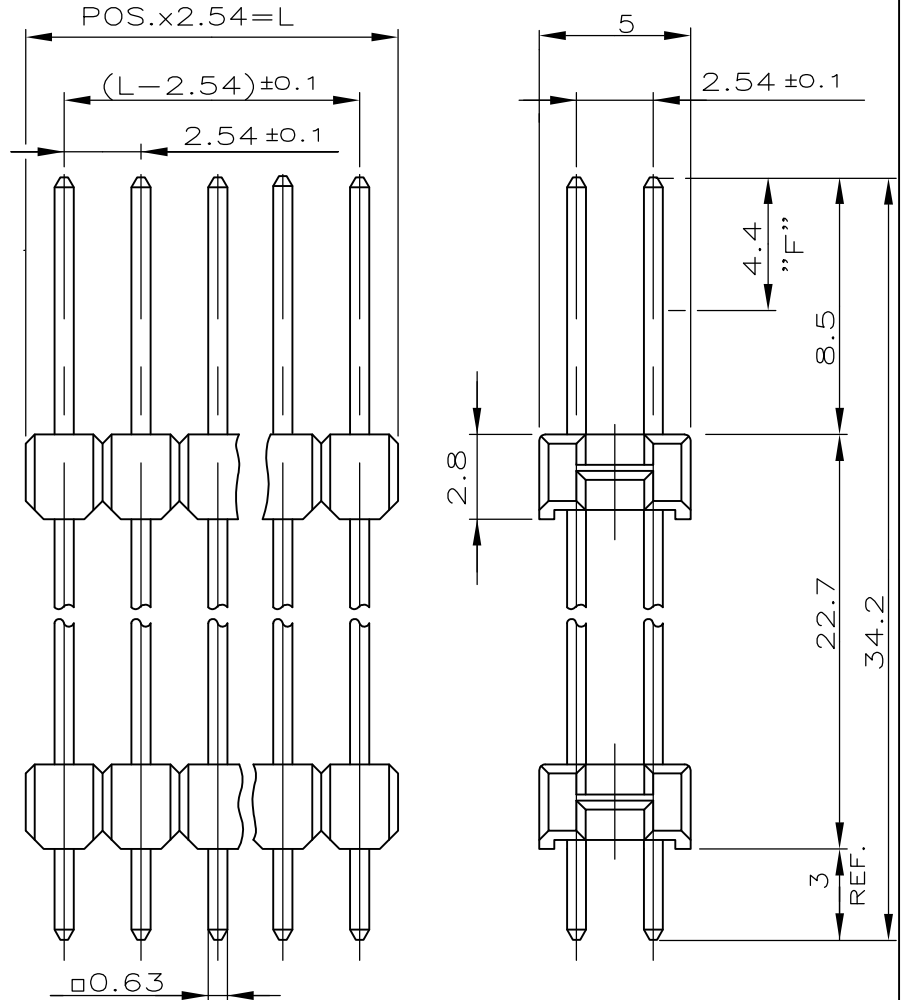
NUMBER 829520

LOC	DIST	REVISIONS					
—	—	P	LTR	DESCRIPTION	DATE	DWN	APVD
		B		Contact Plating Change to PdNi + gold flash	18NOV2014	CR	JK

POS PER ROW	L±0.4	PART NO
—	—	—
2	5.08	829 520 2
3	7.62	3
4	10.16	4
5	12.70	5
6	15.24	6
7	17.78	7
8	20.32	8
9	22.86	9
10	25.40	1—0
11	27.94	1—1
12	30.48	1—2
13	33.02	1—3
14	35.56	1—4
15	38.10	1—5
16	40.64	1—6
17	43.18	1—7
18	45.72	1—8
19	48.26	1—9
20	50.80	2—0
21	53.34	2—1
22	55.88	2—2
23	58.42	2—3
24	60.96	2—4
25	63.50	2—5
26	66.04	2—6
27	68.58	2—7
28	71.12	2—8
29	73.66	2—9
30	76.20	3—0
31	78.74	3—1
32	81.28	3—2
33	83.82	3—3
34	86.36	3—4
35	88.90	3—5
36	91.44	3—6
37	93.98	3—7
38	96.52	3—8
39	99.06	3—9
40	101.60	4—0
41	104.14	4—1
42	106.68	4—2
43	109.22	4—3
44	111.76	4—4
45	114.30	4—5
46	116.84	4—6
47	119.38	4—7
48	121.92	4—8
49	124.46	4—9
50	127.00	5—829 520 0

OBSOLETE
OBSOLETE
OBSOLETE

OBSOLETE



NOTES:

① PLUG SIDE: IN AREA "F", MIN 0.7µm PdNi + 0.1µm GOLD FLASH OVER 1.27µm Ni.
SOLDER SIDE: MIN. 2.5µm TIN OVER 1.27µm Ni.

② OBSOLETE PARTS: OBSOLETE CIS STREAMLINING PER D.RENAUD/D.SINISI

CONTACT PIN	CuSn	①
PIN HOUSING	PBTP	GREEN
DESCRIPTION	MATERIAL	FINISH

PART LIST

DIMENSIONS: mm	DWN A.HO 13.12.90	MATERIAL SEE TABLE	FINISH SEE TABLE
TOLERANCES UNLESS OTHERWISE SPECIFIED: ± 0.2mm	CHK M.SCHAARSCHMIDT 13.12.90		
0 PLC ± - 1 PLC ± - 2 PLC ± - 3 PLC ± - 4 PLC ± - ANGLES ± -	APVD —		
	PRODUCT SPEC —	NAME AMPMODU II PIN HEADER, DUAL ROW	
	APPLICATION SPEC —	SIZE A4	CAGE CODE 00779
	WEIGHT —	DRAWING NO C-829520	RESTRICTED TO —
CUSTOMER DRAWING		SCALE 4:1	SHEET 1 OF 1
			REV B

RELEASED FOR PUBLICATION

ALL RIGHTS RESERVED.

THIS DRAWING IS UNPUBLISHED.

COPYRIGHT