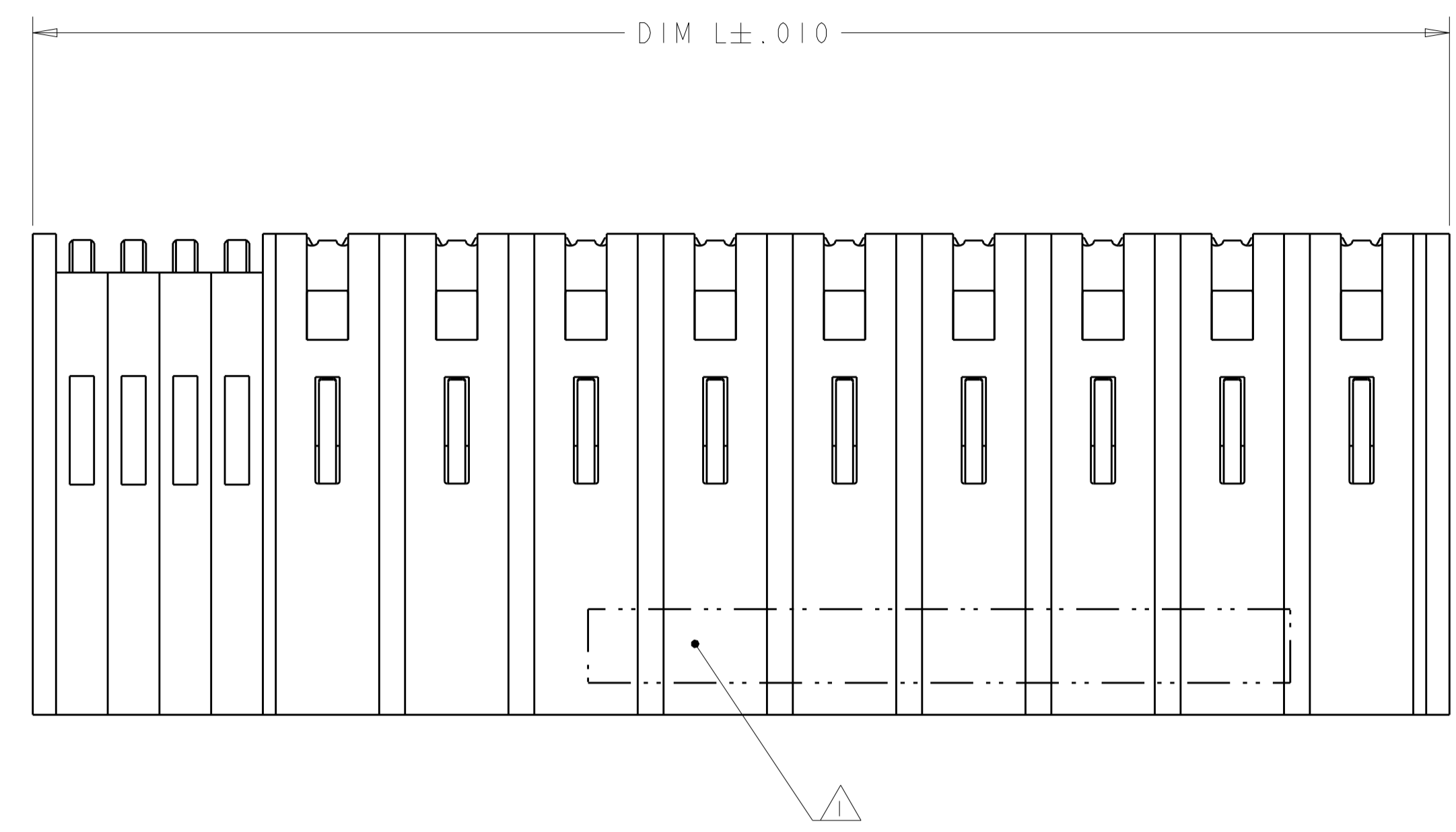
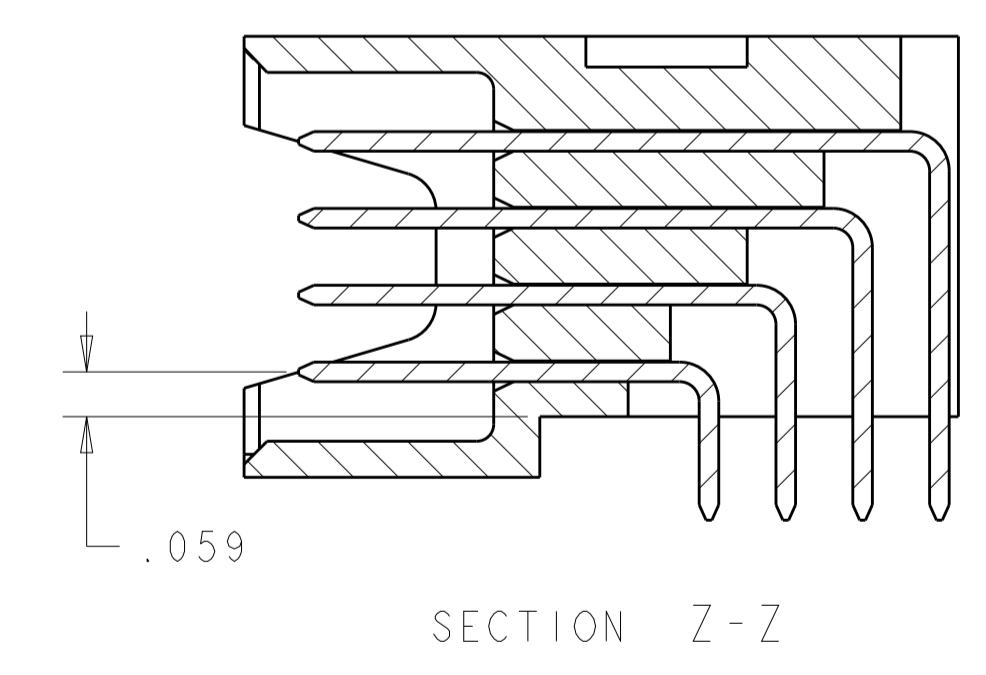
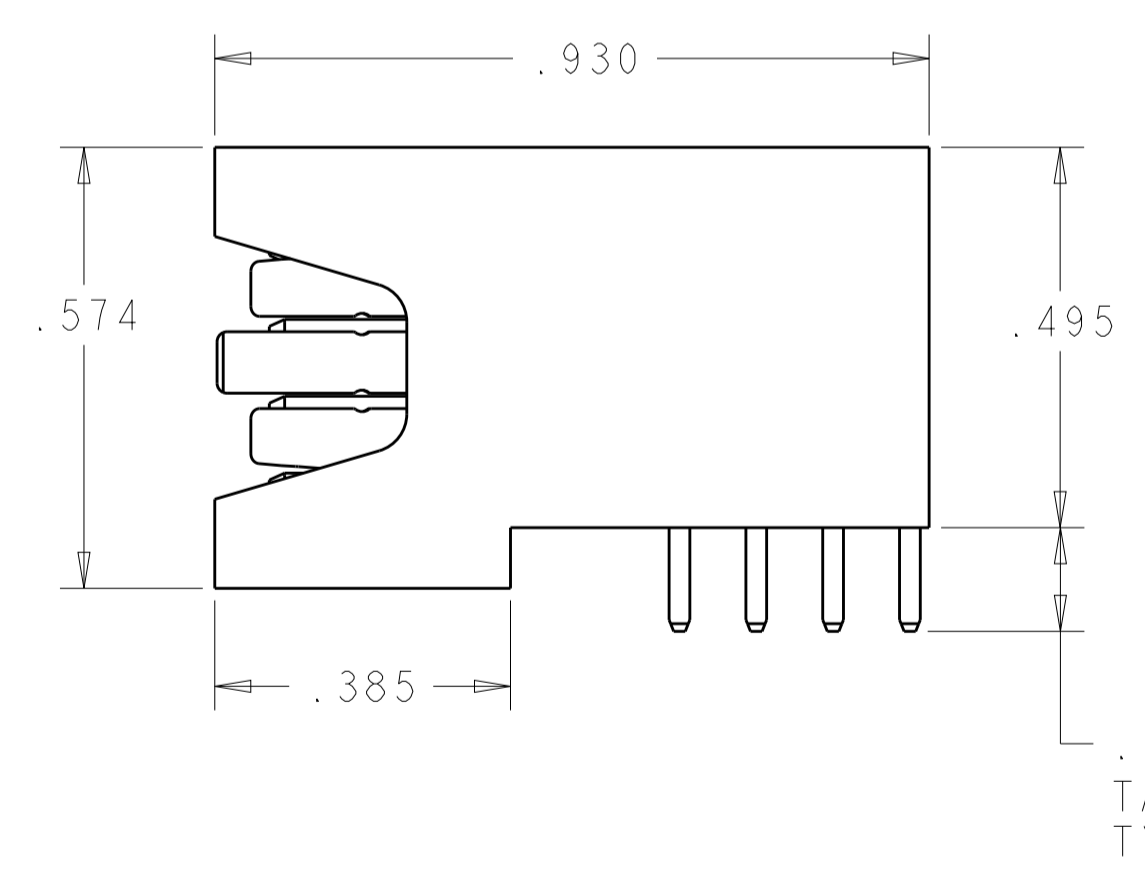
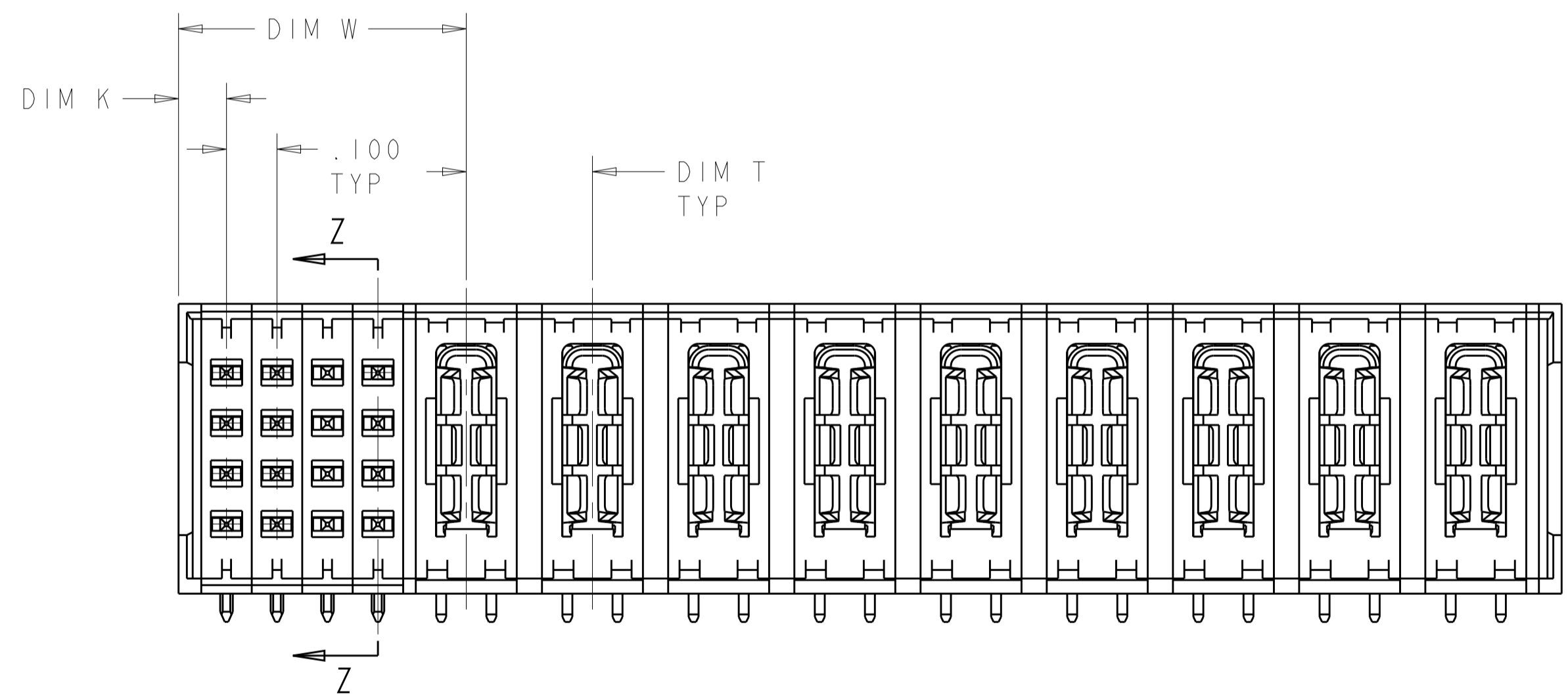


LOC		DIST		REVISIONS			
ES		00		REV	DATE	BY	APPV
A3	ADVISED				20MAR2013	ML	SZ



- 1 "AMP", PART NUMBER, AND DATE CODE TO BE MARKED IN AREA SHOWN.
- 2 MATERIAL: HOUSING - GLASS FILLED HIGH TEMP THERMO PLASTIC, UL94 V-0  
 SIGNAL CONTACT - COPPER ALLOY  
 POWER CONTACT - HIGH CONDUCTIVITY COPPER ALLOY
- 3 CONTACT PLATING: NOBLE METAL PLATING ON CONTACT FUNCTIONAL AREA OF POWER AND SIGNAL CONTACTS.
- 4 MECHANICAL CONNECTOR KEEP OUT ZONE.
- 5 DATUM AND BASIC DIMENSIONS ESTABLISHED BY CUSTOMER.
- 6 PCB - ALL HOLE DIAMETERS ARE FINISHED HOLE SIZES.
- 7 PCB - .0453 +/- .0010 DRILLED HOLES PLATED WITH .0003 MIN Sn OVER .001 TO .003 Cu PLATING TO ACHIEVE A .040 DIA. HOLE.



DIM T	DIM W	DIM L	DIM K	DESCRIPTION	PART NUMBER
.250	.370	2.290	.095	8S + 8P	1892105-2
.250	.570	2.740	.095	16S + 9P	1892105-1

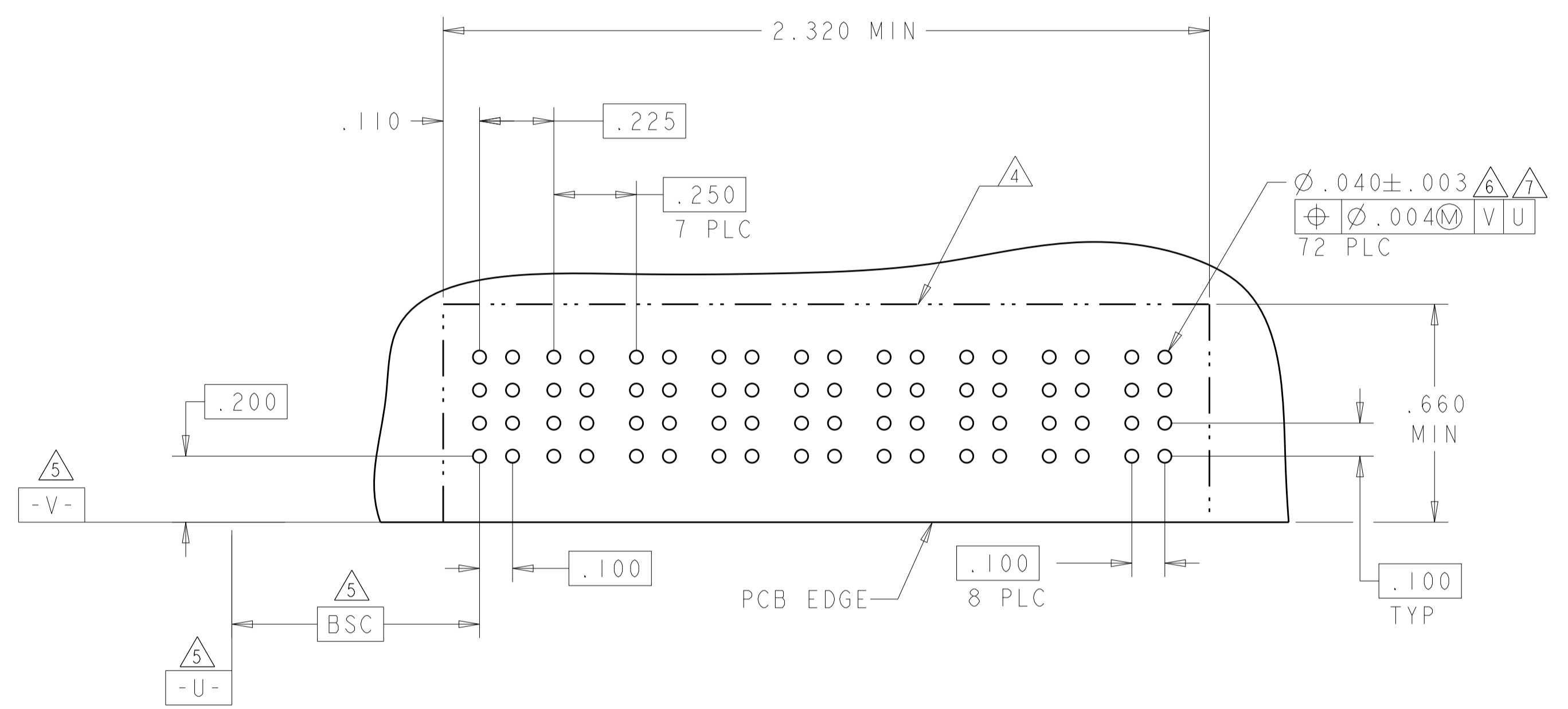
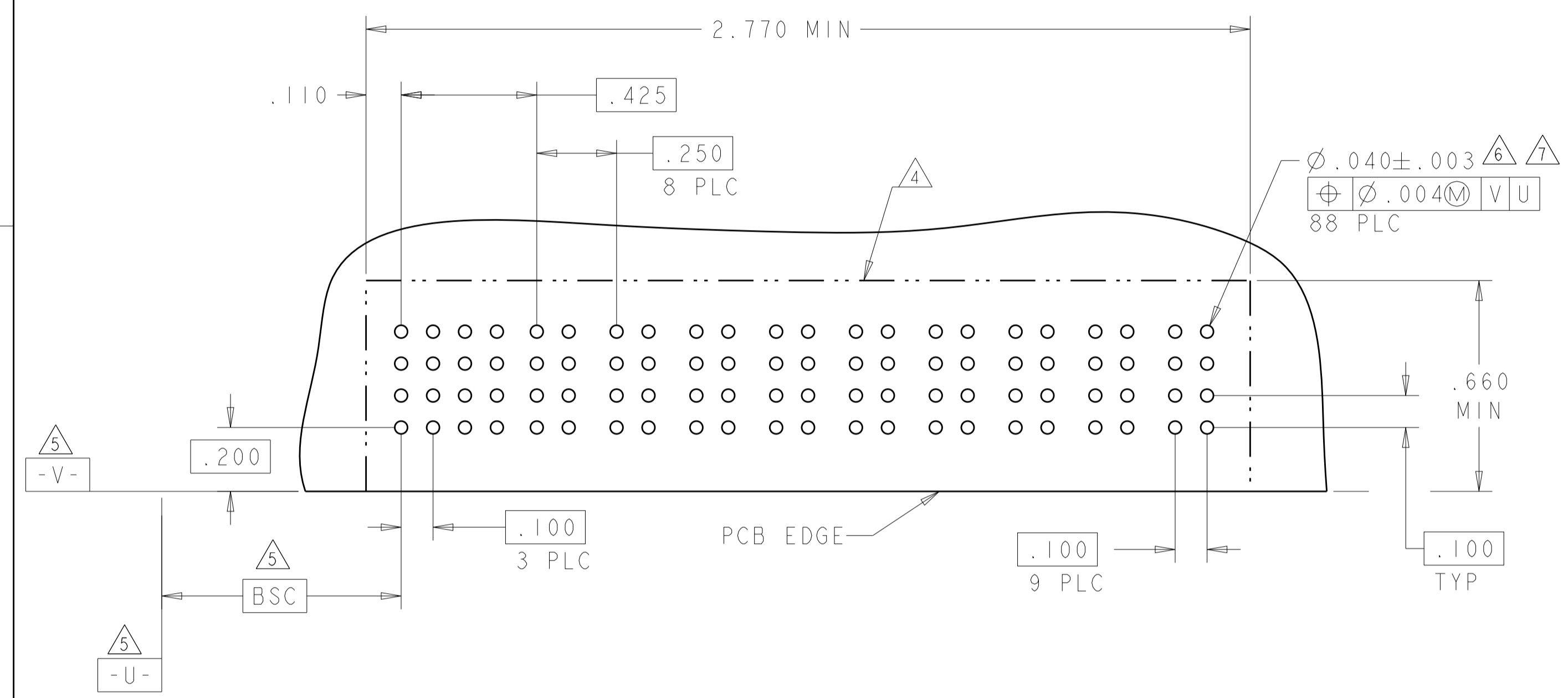
  

THIS DRAWING IS A CONTROLLED DOCUMENT.		DWN: C. ZHOU 23APR2007	
DIMENSIONS: INCHES		CHK: S. ZHAO 23APR2007	
TOLERANCES UNLESS OTHERWISE SPECIFIED:		APVD: S. YAO	
0 PLC ±. 1 PLC ±.01 2 PLC ±.01 3 PLC ±.005 4 PLC ±.0020 ANGLES ±.7°		NAME: RIGHT ANGLE HEADER ASSEMBLY PRODUCT SPEC: 108-1973 APPLICATION SPEC: 114-13038 SIZE: A1 CAGE CODE: 1892105 DRAWING NO: 100779	
MATERIAL:	FINISH:	WEIGHT: -	RESTRICTED TO: -
Customer Drawing			SCALE: 4:1 SHEET 1 OF 2 REV: A3

LOC	DIST	REV	DATE	BY	APPD
ES	00				
REVISIONS			DESCRIPTION	DATE	BY
			SEE SHEET 1		

PART NUMBER	ROWS	SIGNAL				POWER									
		1	2	3	4	P1	P2	P3	P4	P5	P6	P7	P8	P9	
1892105-1	D	J	J	J	J	TM	TM	TM	TM	TM	TM	TM	TM	TM	TM
	C	K	K	K	K	TM	TM	TM	TM	TM	TM	TM	TM	TM	TM
	B	N	N	N	N	TM	TM	TM	TM	TM	TM	TM	TM	TM	TM
	A	S	S	S	S	TM	TM	TM	TM	TM	TM	TM	TM	TM	TM
16S + 9P															

PART NUMBER	ROWS	SIGNAL		POWER									
		1	2	P1	P2	P3	P4	P5	P6	P7	P8		
1892105-2	D	J	J	TM	TM	TM	TM	TM	TM	TM	TM	TM	TM
	C	K	K	TM	TM	TM	TM	TM	TM	TM	TM	TM	TM
	B	N	N	TM	TM	TM	TM	TM	TM	TM	TM	TM	TM
	A	S	S	TM	TM	TM	TM	TM	TM	TM	TM	TM	TM
8S + 8P													



CODE	DESCRIPTION	TAIL LENGTH	ROW
J	SIGNAL CONTACT, STD	.135	D
K	SIGNAL CONTACT, STD	.135	C
N	SIGNAL CONTACT, STD	.135	B
S	SIGNAL CONTACT, STD	.135	A
TM	STD HOT PLUG POWER CONTACT	.135	-
SIGNAL CONTACT			

THIS DRAWING IS A CONTROLLED DOCUMENT.		OWN: C.ZHOU 23APR2007	TE Connectivity
DIMENSIONS: INCHES		CHK: S.ZHAO 23APR2007	
TOLERANCES UNLESS OTHERWISE SPECIFIED:		APVD: S.YAO	NAME: RIGHT ANGLE HEADER ASSEMBLY
0 PLC ±.01		PRODUCT SPEC	NO GUIDES
1 PLC ±.01		APPLICATION SPEC	MULTI-BEAM XL
2 PLC ±.01		SIZE: 114-13038	RESTRICTED TO
3 PLC ±.005		WEIGHT: -	A100779C=1892105
4 PLC ±.0020		Customer Drawing	SCALE: 4:1 SHEET 2 OF 2 REV: A3
ANGLES: ±.020			
FINISH: -			