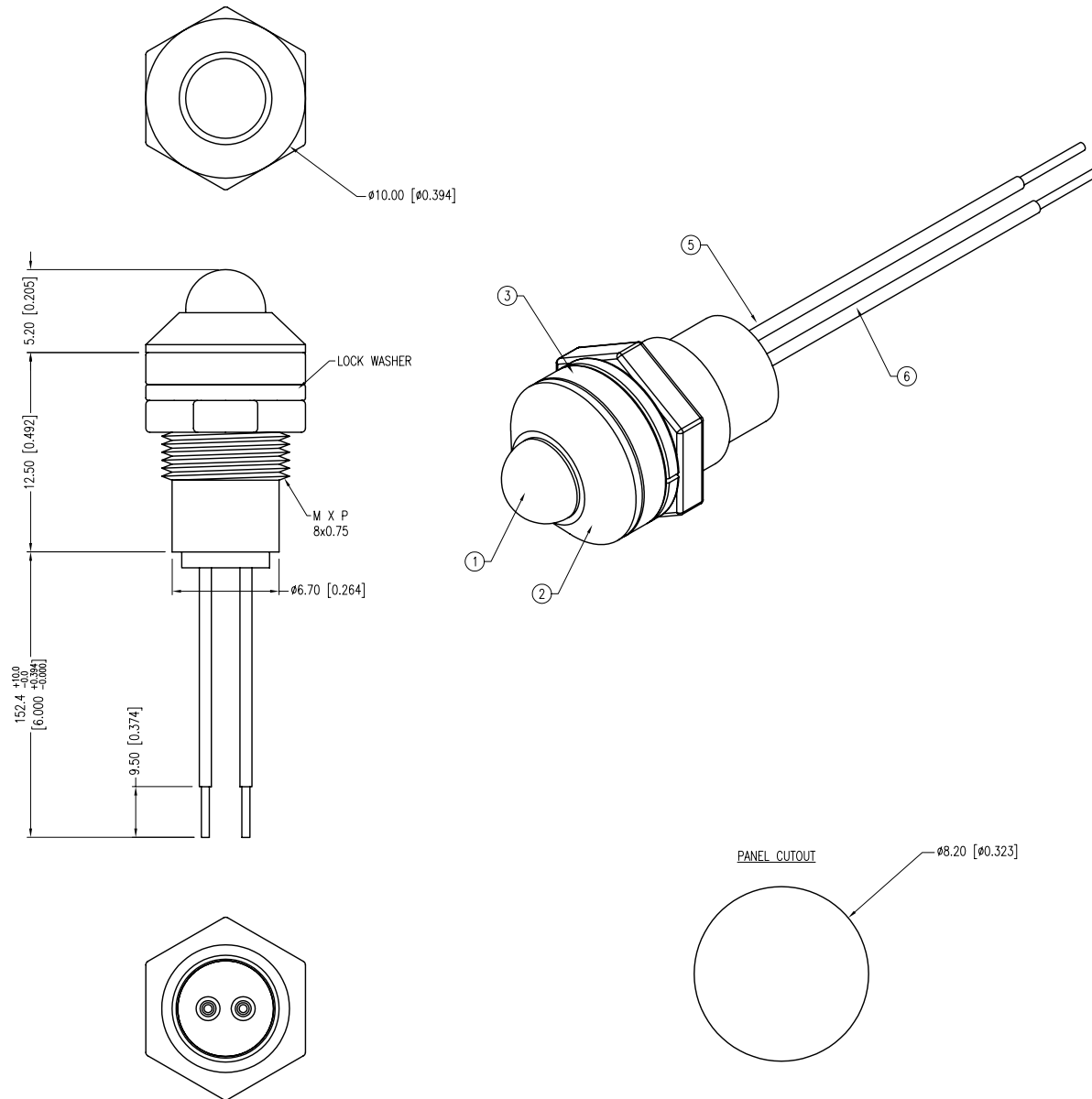


PART NUMBER	SSI-LXR3816ID1215W	REV.	A
DATE	E.C.N. NUMBER AND REVISION COMMENTS		REV.
03.05.12	E.C.N. #10BRDR. & REDRAWN.		A



ELECTRO-OPTICAL CHARACTERISTICS $T_a=25^\circ\text{C}$ $I_f=12\text{V}$

PARAMETER	MIN	TYP	MAX	UNITS	TEST COND
PEAK WAVELENGTH		635		nm	
FORWARD VOLTAGE		12.0	14.0	Vf	
REVERSE VOLTAGE	5.0			Vr	$I_r=100\mu\text{A}$
AXIAL INTENSITY		20		md	$I_f=12\text{V}$
VIEWING ANGLE		60		2x theta	
EMITTED COLOR:	RED				
LENS FINISH:	RED DIFFUSED				

LIMITS OF SAFE OPERATION AT 25°C

PARAMETER	MAX	UNITS
PEAK FORWARD VOLTAGE	14	V
STEADY CURRENT	12	mA
POWER DISSIPATION	310	mW
DERATE FROM 25°C	-1.2	mW/°C
OPERATING TEMP.	-40 TO +85	°C
STORAGE TEMP.	-40 TO +85	°C

NOTES:

1. SSL-LX5093ID-12V, RED LED. TRIM TO 4mm.
2. SSI-LXR3816, CHROME HOUSING.
3. LXP-WA-3816, RUBBER GASKET.
4. SSH-LX4815BSC, BUSHING. INSERT AND CRIMP.
5. ANODE LEAD: LXP-WST24RDTOC, 24 AWG. TINNED OVERCOAT, RED INSULATION, CUT 160mm LONG, STRIP 9.5mm & 3mm.
6. CATHODE LEAD: LXP-WST24BLTOC, 24 AWG. TINNED OVERCOAT, BLACK INSULATION, CUT 160mm LONG, STRIP 9.5mm & 3mm.
7. ASSEMBLE IN ORDER: LED, SILICON, THEN BUSHING.
8. SPLASH RESISTANT PER NEMA SPEC. 250 SECTION 6.7.

*UNLESS OTHERWISE SPECIFIED TOLERANCES PER DECIMAL PRECISION ARE: X= ± 1 (± 0.039), X.X= ± 0.5 (± 0.020), X.XX= ± 0.25 (± 0.010), X.XXX= ± 0.127 (± 0.005). LEAD SIZE= ± 0.05 (± 0.002), LEAD LENGTH= ± 0.75 (± 0.030). MIN= $^{+DECIMAL}$ / $^{-0.00}$ PRECISION MAX.= $^{+0.00}$ / $^{-DECIMAL}$ PRECISION

LUMEX
 Creating LED and LCD Solutions Together™
 290 E. HELEN ROAD
 PALATINE, IL 60067-6976
 PHONE: +1.847.359.2790
 FAX: +1.847.359.6538
 WEB: WWW.LUMEX.COM

T-5mm 635nm RED LED PANEL INDICATOR, 12 VOLTS, RED DIFFUSED LENS, 6.0" WIRE LEADS, SPLASH PROOF.

THE SPECIFICATIONS MAY CHANGE AT ANY TIME WITHOUT NOTICE DUE TO NEW MATERIALS OR PRODUCT IMPROVEMENT.

CONFIDENTIAL INFORMATION
 THE INFORMATION CONTAINED IN THIS DOCUMENT IS THE PROPERTY OF LUMEX INC. EXCEPT AS SPECIFICALLY AUTHORIZED IN WRITING BY LUMEX INC., THE HOLDER OF THIS DOCUMENT SHALL KEEP ALL INFORMATION CONTAINED HEREIN CONFIDENTIAL AND SHALL PROTECT SAME IN WHOLE OR IN PART FROM DISCLOSURE AND DISSEMINATION TO ALL THIRD PARTIES.

DATE:	03.05.12	DRAWN BY:	AB
PAGE:	1 OF 1	CHKD BY:	KF
SCALE:	NTS	APRVD BY:	KF
UNIT:	mm [INCH]		Ⓟ