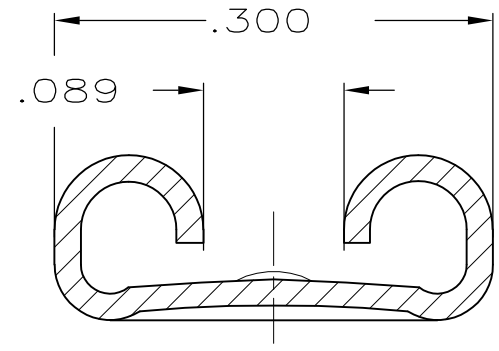
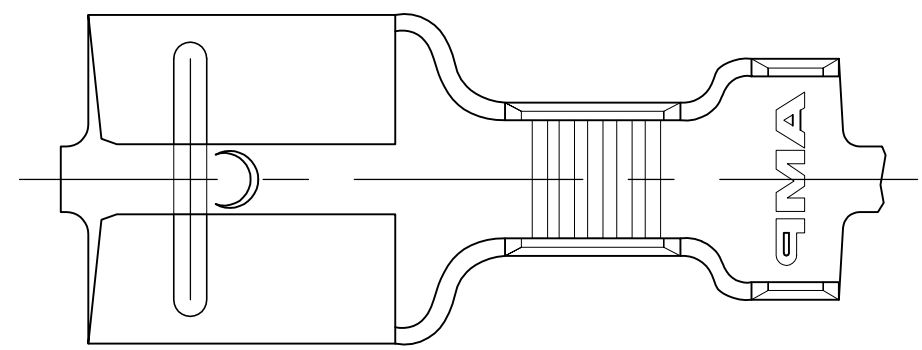


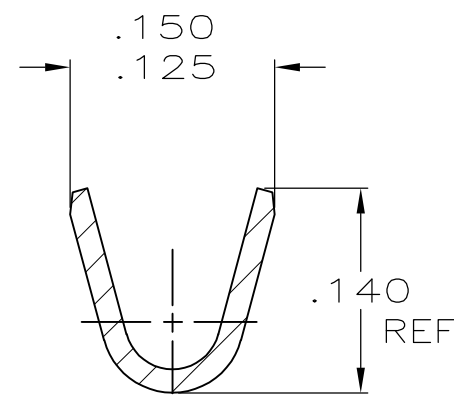
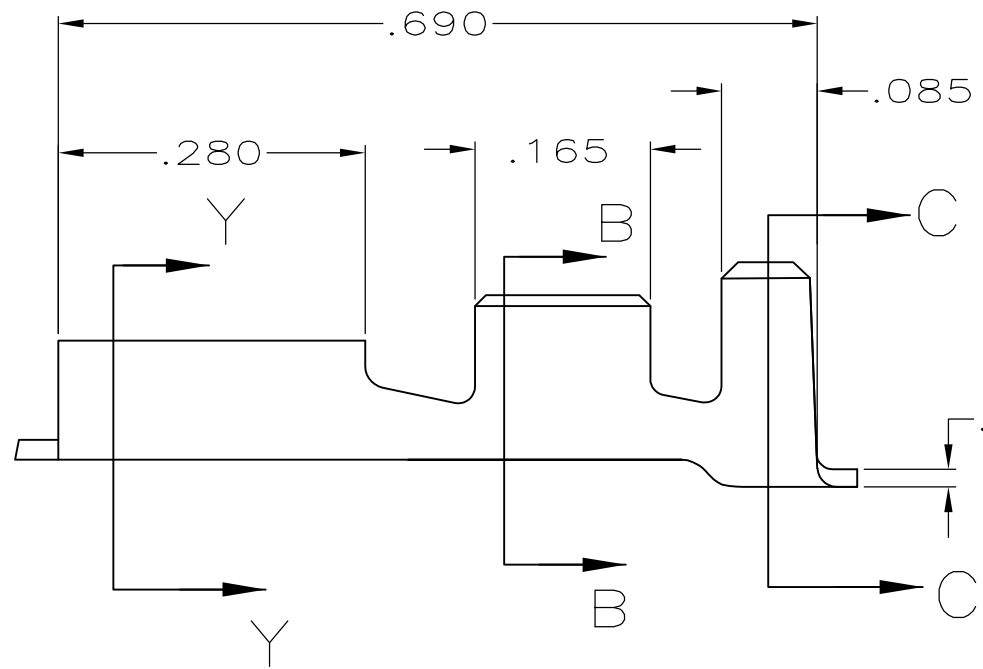
THIS DRAWING IS UNPUBLISHED. RELEASED FOR PUBLICATION  
 © COPYRIGHT - By TYCO ELECTRONICS CORPORATION. ALL RIGHTS RESERVED.

LOC	DIST	REVISIONS					
AF	50	P	LTR	DESCRIPTION	DATE	DWN	APVD
		C		REVISE PER ECR-13-013738	15FEB2014	GRZ	JL

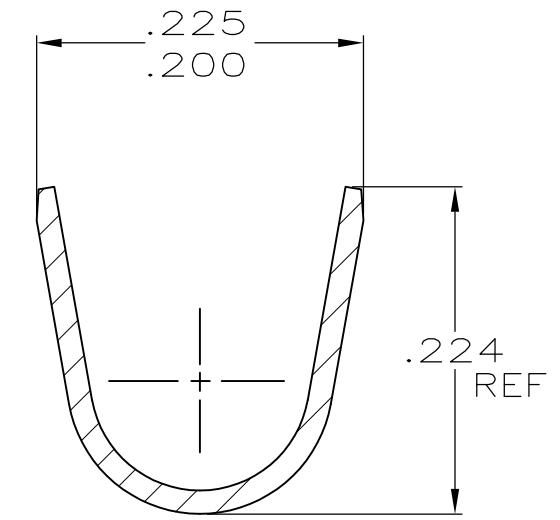


SECTION Y-Y  
SCALE 8:1

- 1 CONTINUOUS STRIP ON REELS
- 2 MATING TAB THK IS .032±.001
- 3 WIRE SIZE IS 18-14 OR TWO #19'S.
- 4 INSULATION RANGE IS .120-.170 DIA.



SECTION B-B  
SCALE 8:1



SECTION C-C  
SCALE 8:1

1217835-1  
PART NO.

THIS DRAWING IS A CONTROLLED DOCUMENT.		DWN	JR RUTH	10MAY02	<b>TE Connectivity</b>								
DIMENSIONS: INCHES		CHK	P DESANTIS	10MAY02				NAME RECEPTACLE, FASTON, AMPLIVAR, 250 SERIES					
		APVD	P DESANTIS	10MAY02							SIZE A3 00779 C-1217835		
TOLERANCES UNLESS OTHERWISE SPECIFIED: 0 PLC ± - 1 PLC ± - 2 PLC ± - 3 PLC ± .010 4 PLC ± - ANGLES ± -		PRODUCT SPEC	-					RESTRICTED TO	-				
MATERIAL: BRASS		FINISH	-		APPLICATION SPEC	-		SCALE	6:1	SHEET	1 OF 1	REV	C
CUSTOMER DRAWING					WEIGHT	-							