

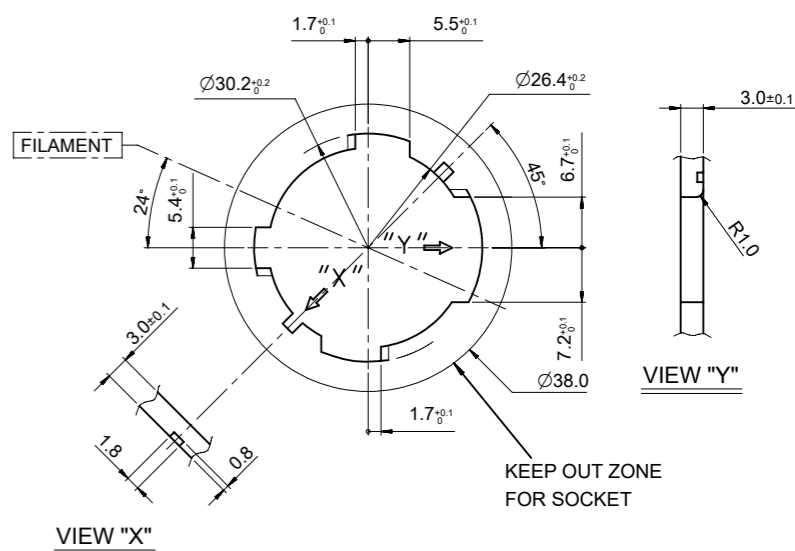
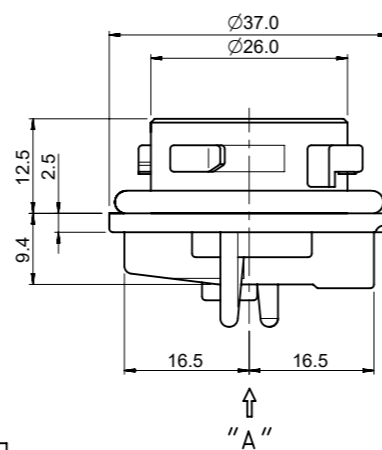
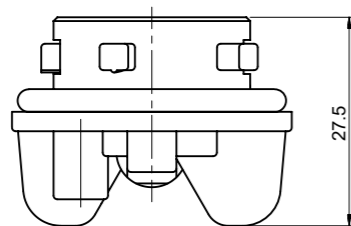
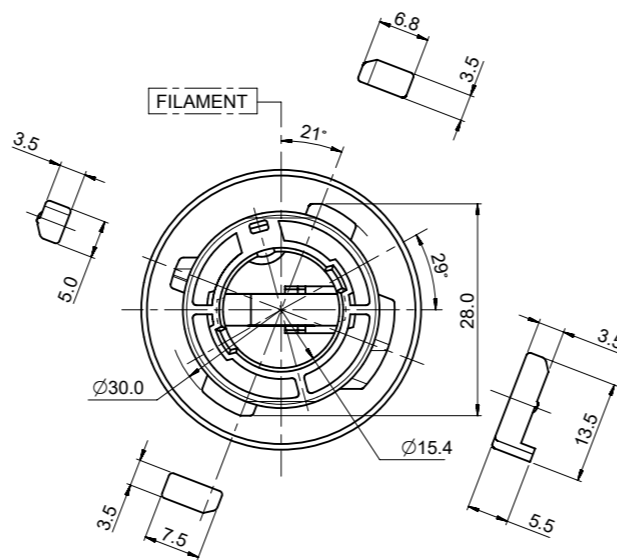
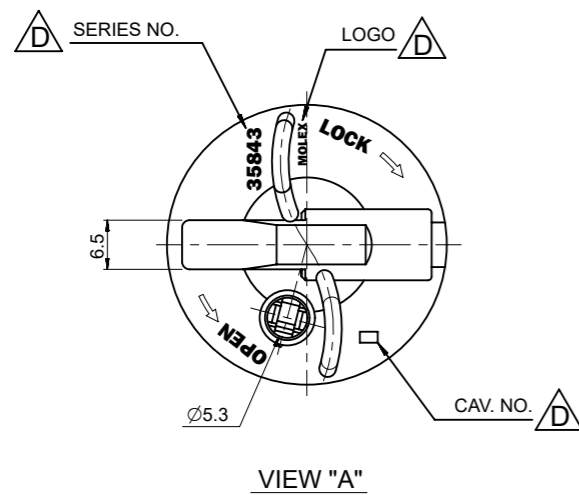
NOTES

1. FOCAL LENGTH =31.8mm
2. PRODUCT SPECIFICATION: PS-35842-001
3. APPLICABLE BULB CAP: P21W(BA15s)
4. MATES WITH

NO.	DESCRIPTION	MATERIAL	ORDER NO.	REMARK
③	POSITIVE TERMINAL	PHOSPHOR BRONZE	35464-8000	UNPLATED
④	POSITIVE WIRE SEAL	SILICONE	35903-0096	BROWN
⑤	EARTH TERMINAL	PHOSPHOR BRONZE	35465-8000	UNPLATED
⑥	EARTH WIRE SEAL	SILICONE	35903-0106	BLUE

<PART LIST>

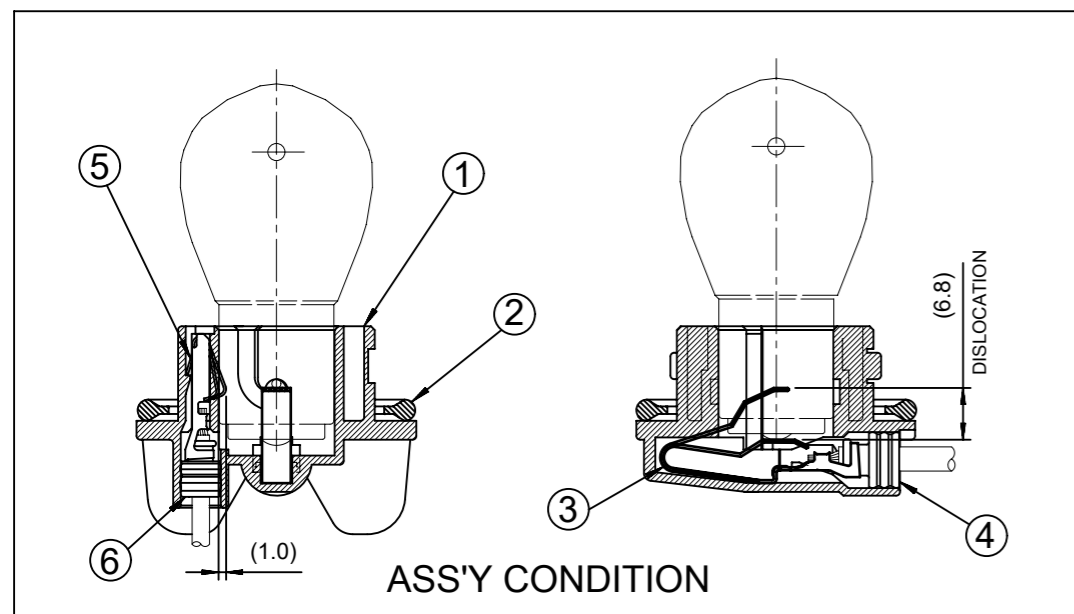
NO.	DESCRIPTION	MATERIAL	USAGE	REMARK
①	SINGLE SOCKET	PA66 M/F	1	D TYPE
②	SEAL GASKET	NBR	1	BLACK



MOUNTING INTERFACE (MI-4)

<TABLE 1>

MATERIAL NO.	ORDER NO.	COLOR
358431240	35843-1240	NATURAL
358431245	35843-1245	GRAY
358431246	35843-1246	WHITE
358431247	35843-1247	BROWN



THIS DRAWING CONTAINS INFORMATION THAT IS PROPRIETARY TO MOLEX ELECTRONIC TECHNOLOGIES, LLC AND SHOULD NOT BE USED WITHOUT WRITTEN PERMISSION

DIMENSION UNITS	SCALE	CURRENT REV DESC: RETRACTED PART NUMBER AS PER SALES FORCE CASE#210635	molex		
mm	1:1				
GENERAL TOLERANCES (UNLESS SPECIFIED)			SEALED PT BULB SOCKET SINGLE HOUSING ASS'Y (D-TYPE)		
			PRODUCT CUSTOMER DRAWING		
4 PLACES	±		DOCUMENT NUMBER		
3 PLACES	±		DOC TYPE		
2 PLACES	± 0.15		DOC PART		
1 PLACE	± 0.25		REVISION		
0 PLACES	±		SD-35843-004		
ANGULAR TOL	± 2.0°		PSD	001	F
DRAFT WHERE APPLICABLE MUST REMAIN WITHIN DIMENSIONS		THIRD ANGLE PROJECTION	DRAWING	SERIES	SHEET NUMBER
			A3-SIZE	35843	1 OF 1
			MATERIAL NUMBER	CUSTOMER	
			SEE TABLE 1	GENERAL MARKET	