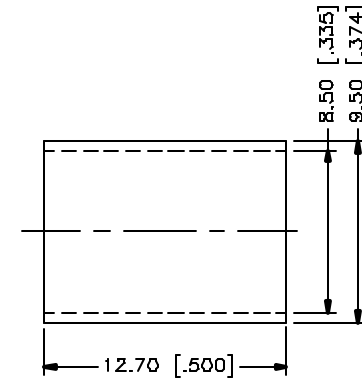
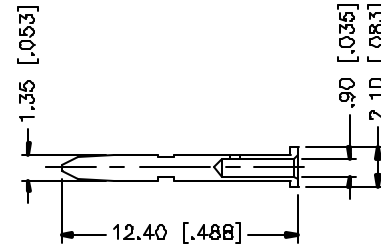
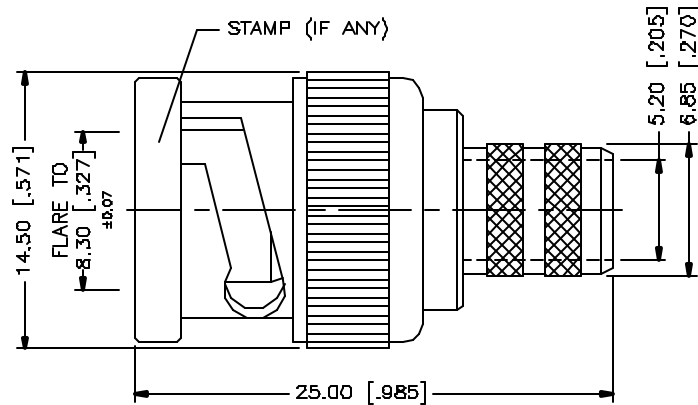
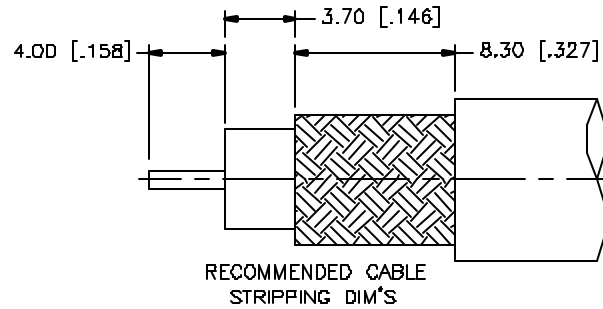


REV.	DATE	DESCRIPTION
A	5/1/04	UPDATE DRAWING FORMAT



CRIMP NOTES:

1. CRIMPED FERRULE
HEX CRIMP SIZE .324"
2. CRIMPED CONTACT PIN
SQ. CRIMP SIZE .043"

8					<small>UNLESS OTHERWISE SPECIFIED DIMENSIONS ARE IN MILLIMETERS. DIMENSIONS IN [] ARE IN INCHES AND FOR CUSTOMER REFERENCE ONLY.</small> <small>UNLESS OTHERWISE SPECIFIED TOLERANCES FOR MILLIMETERS ARE: 0.5 - 8mm ± 0.20mm 8 - 30mm ± 0.40mm 30 - 120mm ± 0.50mm</small> <small>UNLESS OTHERWISE SPECIFIED TOLERANCES FOR INCHES ARE: .020 - .315 = ± 0.007" .315 - 1.180 = ± 0.015" 1.180 - 4.724 = ± 0.020"</small>	APPROVALS	DATE	<h1 style="color: blue;">Amphenol Connex</h1>			
7				DRAWN		G.R.S.	05/01/04				
6				CHECKED							
5						ISSUED		PART DESCRIPTION			
4	FERRULE	COPPER	NICKEL	1				BNC CRIMP PLUG (FOR BELDEN 8281 CABLE)			
3	CONTACT PIN	BRASS	GOLD	1				PART NO.			
2	INSULATOR	TEFLON	NATURAL	1				112953			
1	SHELL/BODY	BRASS	NICKEL	1				DWG. NO.			
DO NOT SCALE DRAWING					CAD FILE	C:/112/112953.DWG	112953.DWG	REV. A	SIZE A	SCALE NA	