

152871

✓ ACTIVE



PIDG

TE Internal #: 152871

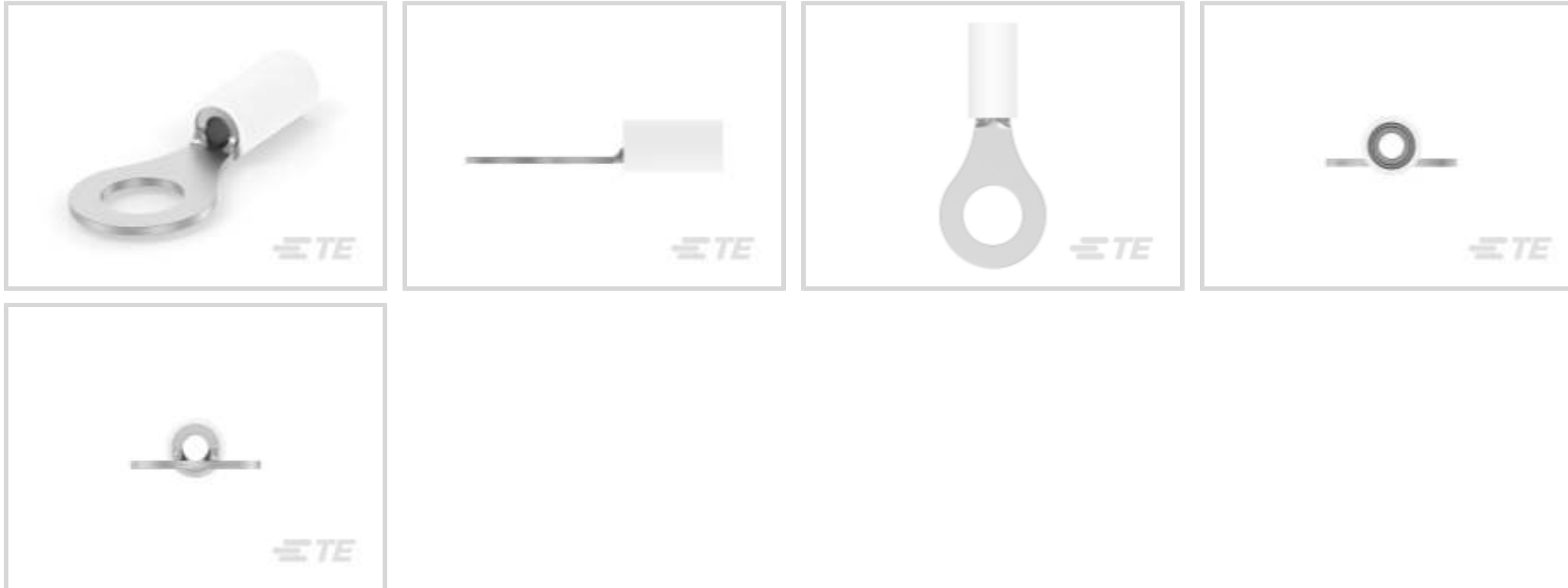
Ring Terminals & Spade Terminals, Ring Tongue, 14 – 12 AWG

Wire Size, 1.65 – 3.45 mm² Wire Size, 3260 – 6800 CMA Wire Size,

Stud Size M6, PIDG

[View on TE.com >](#)

Terminals & Splices > Ring Terminals & Spade Terminals



Ring & Spade Terminal Type: **Ring Tongue**

Wire Size: **3260 – 6800 CMA**

Stud Size: **M6**

Features

Product Type Features

Stud Size	M6
Sealable	No
Wire Insulation Support Retention Type	Non-Insulation Support

Configuration Features

Number of Holes	1
-----------------	---

Electrical Characteristics

Voltage Rating	300 V
----------------	-------

Body Features

Product Weight	1.078 g
Insulation Sleeve Color	White
Stripe Color	White

Contact Features

Ring & Spade Terminal Type	Ring Tongue
Barrel Type	Closed
Terminal Orientation	Straight



Terminal Plating Material	Tin
---------------------------	-----

Mechanical Attachment

Wire Insulation Support	With
-------------------------	------

Dimensions

Wire Size	3260 – 6800 CMA
Stud Diameter	6.7 mm[.264 in]
Tongue Thickness	.79 mm[.031 in]
Product Length	27.58 mm[1.084 in]
Compatible Insulation Diameter (Max)	3.18 mm[.125 in]
Compatible Insulation Diameter Range	2.03 – 3.18 mm[.08 – .125 in]

Usage Conditions

Insulation Option	Partially Insulated
Operating Temperature Range	105 °C[221 °F]

Operation/Application

Compatible With Wire Base Material	Copper
Compatible With Wire Plating Material	Tin

Industry Standards

Government Qualified Terminal	No
-------------------------------	----

Packaging Features

Packaging Quantity	500
Packaging Method	Loose Piece

Product Compliance

[For compliance documentation, visit the product page on TE.com>](#)

EU RoHS Directive 2011/65/EU	Compliant
EU ELV Directive 2000/53/EC	Compliant
China RoHS 2 Directive MIIT Order No 32, 2016	No Restricted Materials Above Threshold
EU REACH Regulation (EC) No. 1907/2006	Current ECHA Candidate List: JUNE 2023 (235) Candidate List Declared Against: JUNE 2023 (235) Does not contain REACH SVHC
Halogen Content	Low Halogen - Br, Cl, F, I < 900 ppm per homogenous material. Also BFR/CFR/PVC

Free

Solder Process Capability

Not applicable for solder process capability

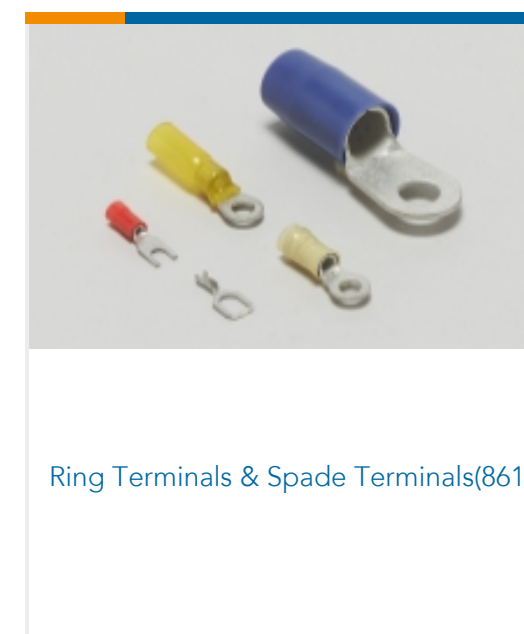
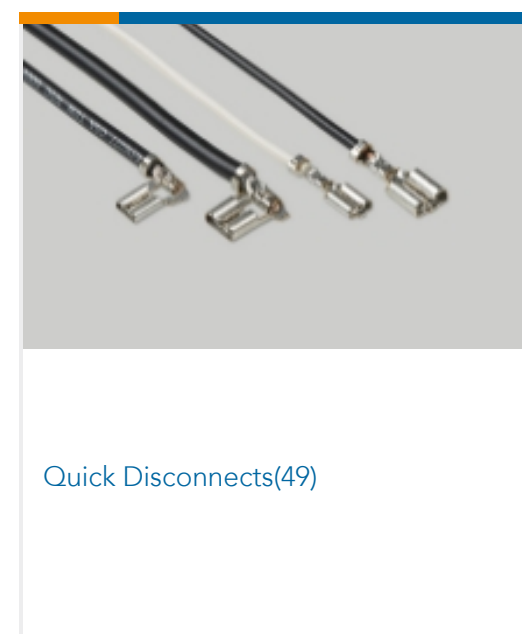
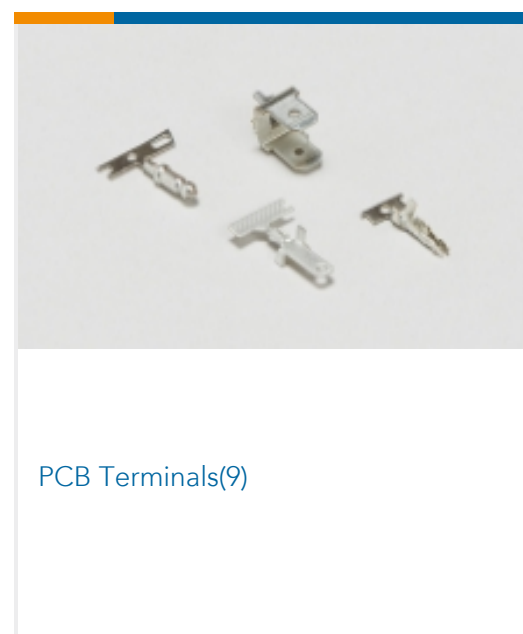
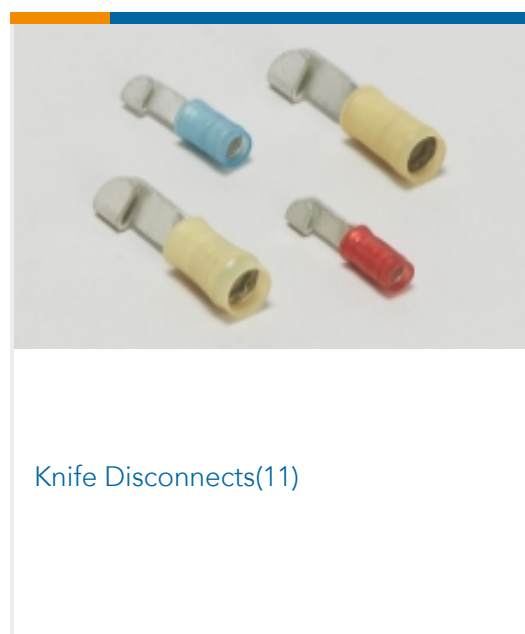
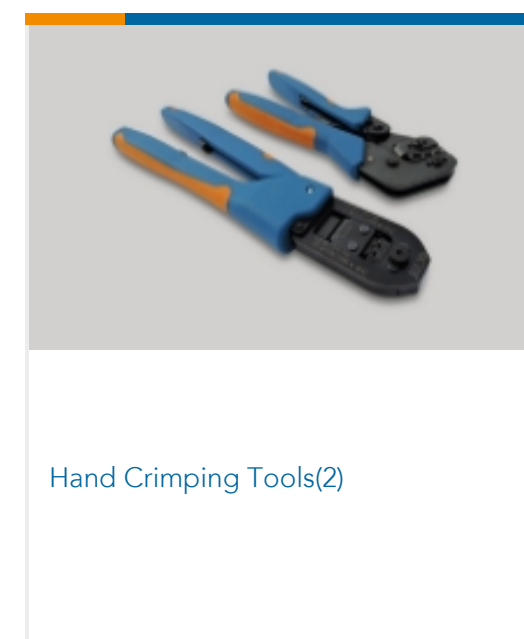
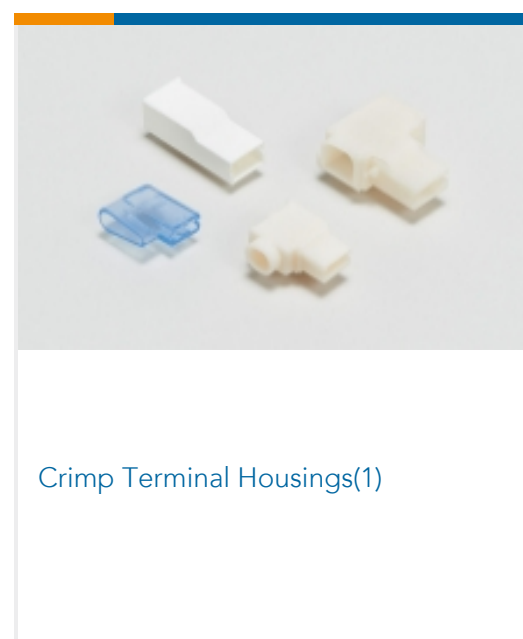
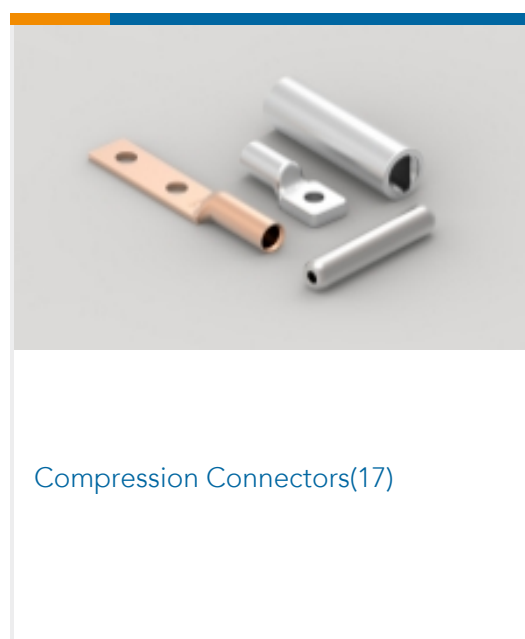
Product Compliance Disclaimer

This information is provided based on reasonable inquiry of our suppliers and represents our current actual knowledge based on the information they provided. This information is subject to change. The part numbers that TE has identified as EU RoHS compliant have a maximum concentration of 0.1% by weight in homogenous materials for lead, hexavalent chromium, mercury, PBB, PBDE, DBP, BBP, DEHP, DIBP, and 0.01% for cadmium, or qualify for an exemption to these limits as defined in the Annexes of Directive 2011/65/EU (RoHS2). Finished electrical and electronic equipment products will be CE marked as required by Directive 2011/65/EU. Components may not be CE marked. Additionally, the part numbers that TE has identified as EU ELV compliant have a maximum concentration of 0.1% by weight in homogenous materials for lead, hexavalent chromium, and mercury, and 0.01% for cadmium, or qualify for an exemption to these limits as defined in the Annexes of Directive 2000/53/EC (ELV). Regarding the REACH Regulation, the information TE provides on SVHC in articles for this part number is based on the latest European Chemicals Agency (ECHA) 'Guidance on requirements for substances in articles' posted at this URL: <https://echa.europa.eu/guidance-documents/guidance-on-reach>

Compatible Parts



Also in the Series | PIDG





Special Purpose Terminals(1)



Splices(47)

Customers Also Bought



TE Part #2-1625984-5
HSA50 1R2 5%



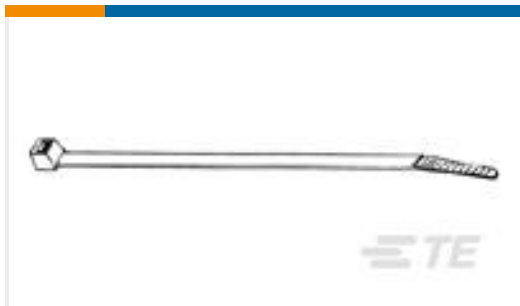
TE Part #1-640721-0
06P UMNL STR/REL & INSRT NATL



TE Part #1546306-7
7P .374" DR BARRIER STRIP



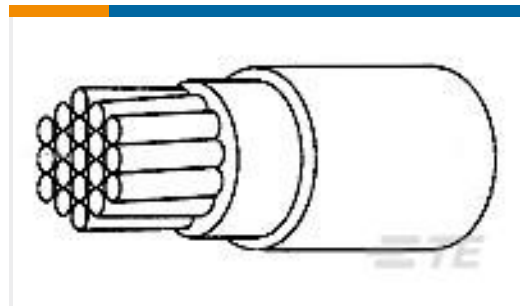
TE Part #5227161-2
RTANG JK W/MTG PINS, BNC PCB



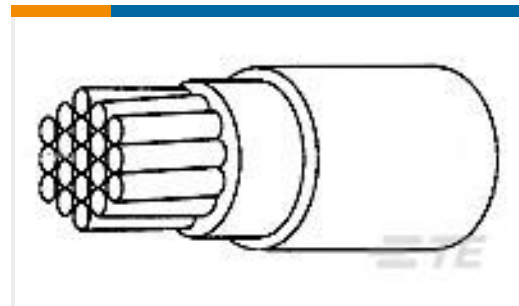
TE Part #1-604771-0
CABLE TIE, 4" BLACK, 100PK



TE Part #696422-5
PIDG PVF2 R 22-16COM22-18MIL 8



TE Part #3524293001
99M0111-18-45



TE Part #7724153001
99M0111-24-2L



TE Part #4-1437622-7
KN500B1/8=KNOB BLK KNURL 1/8 S



TE Part #AAA8486-00
91D1-18-08-1-C-HE200

Documents

Product Drawings

[14-12 PIDG R/T 1/4 STUD WHITE](#)

English

CAD Files

[3D PDF](#)

3D

[Customer View Model](#)

[ENG_CVM_CVM_152871_J.2d_dxf.zip](#)



English

Customer View Model

[ENG_CVM_CVM_152871_J.3d_igs.zip](#)

English

Customer View Model

[ENG_CVM_CVM_152871_J.3d_stp.zip](#)

English

By downloading the CAD file I accept and agree to the [Terms and Conditions](#) of use.

Datasheets & Catalog Pages

[RADIATION_RESISTANT_PRE-INSULATED_TERMINALS_SPLICES](#)

English

Product Specifications

[Application Specification](#)

English

Product Environmental Compliance

[Product Compliance](#)

English

[Product Compliance](#)

English