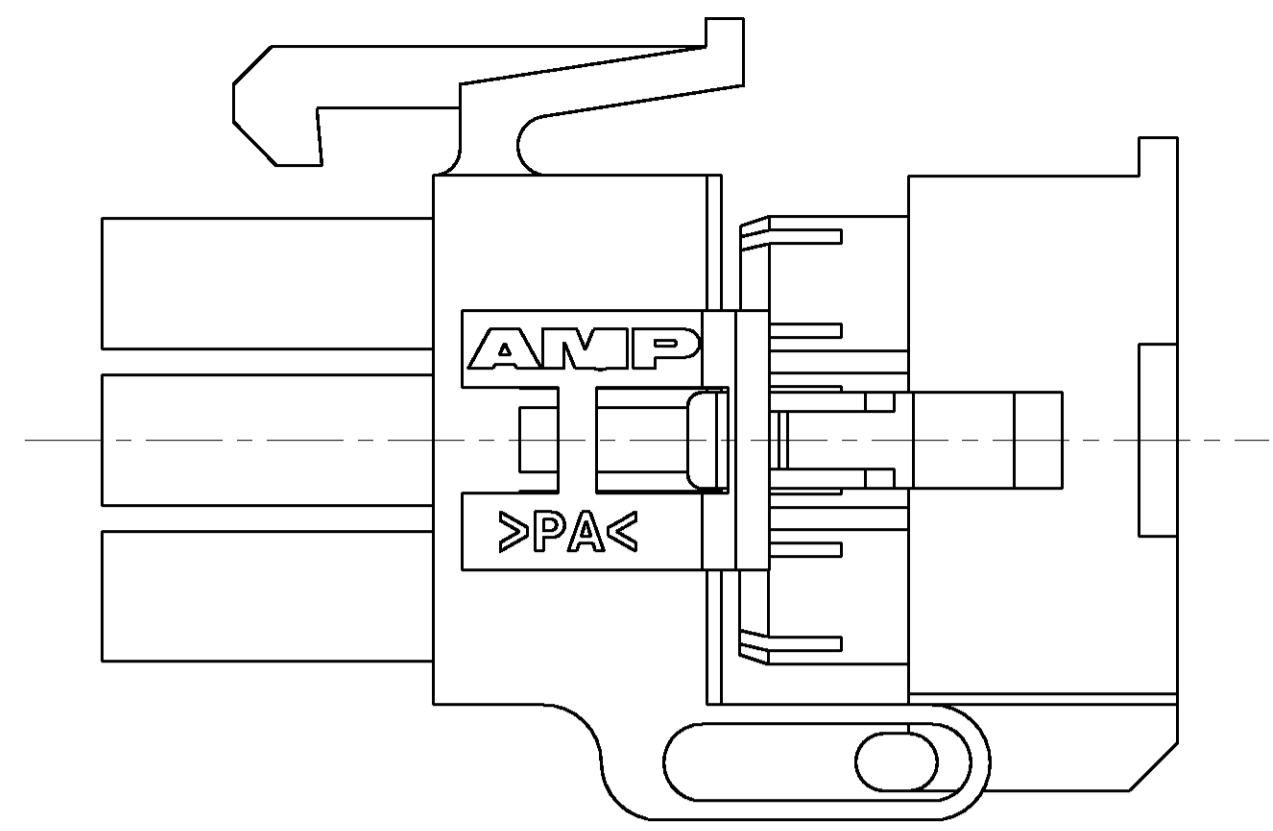
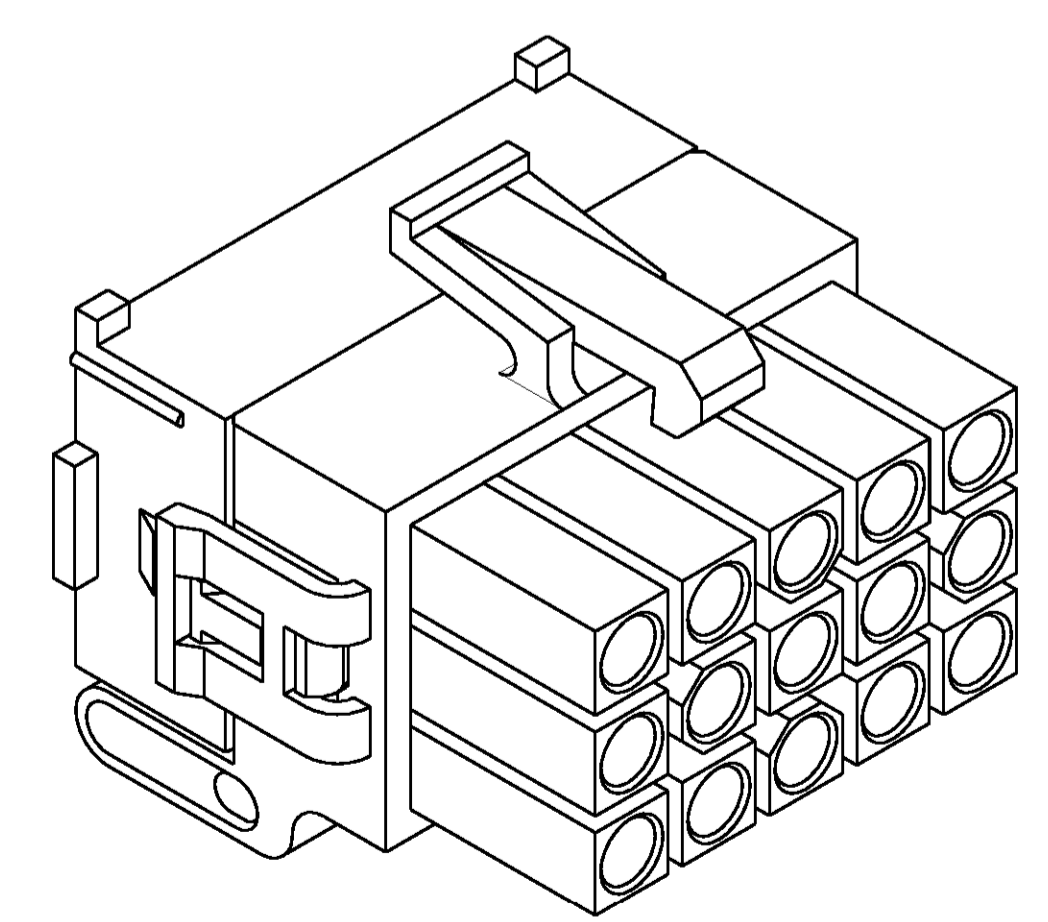
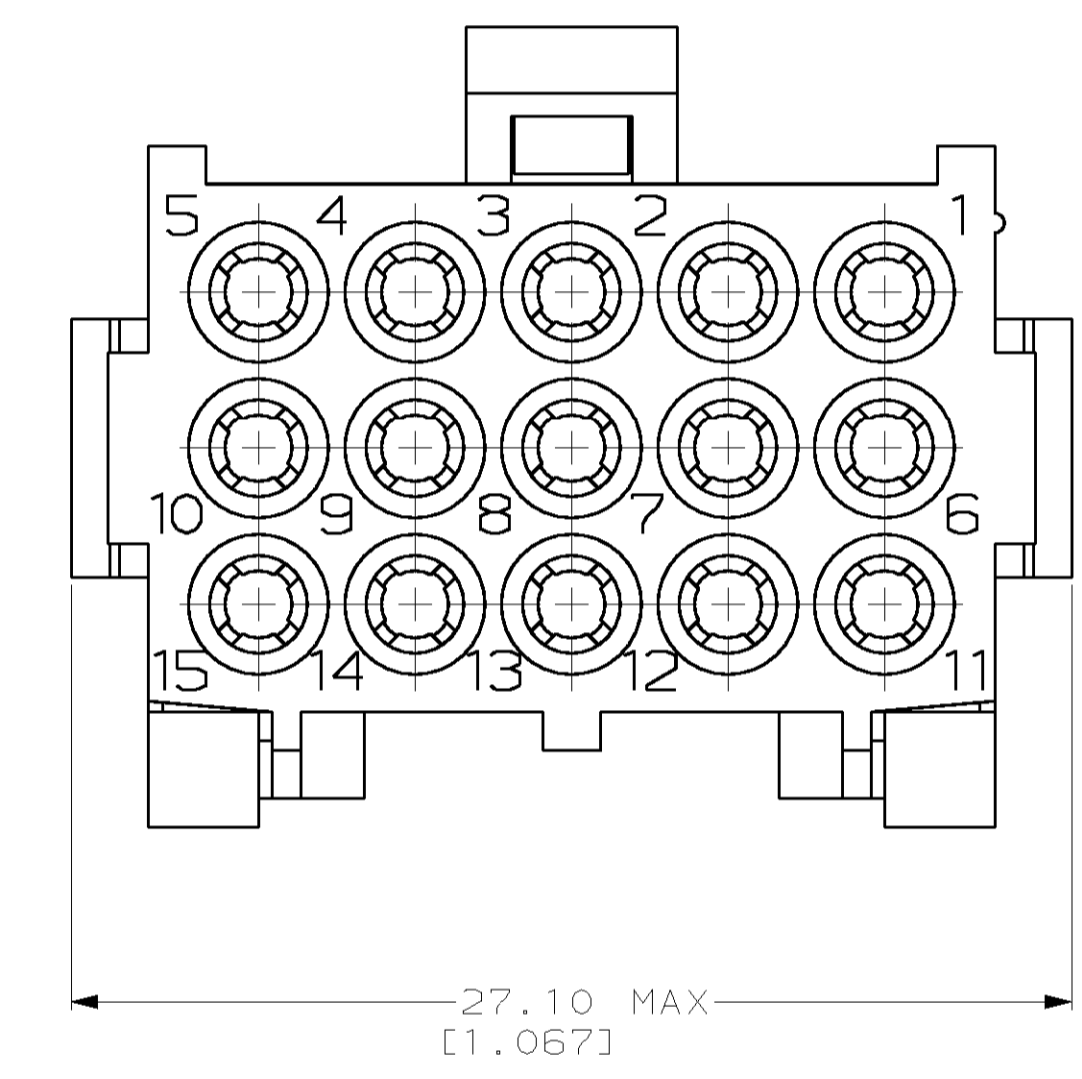
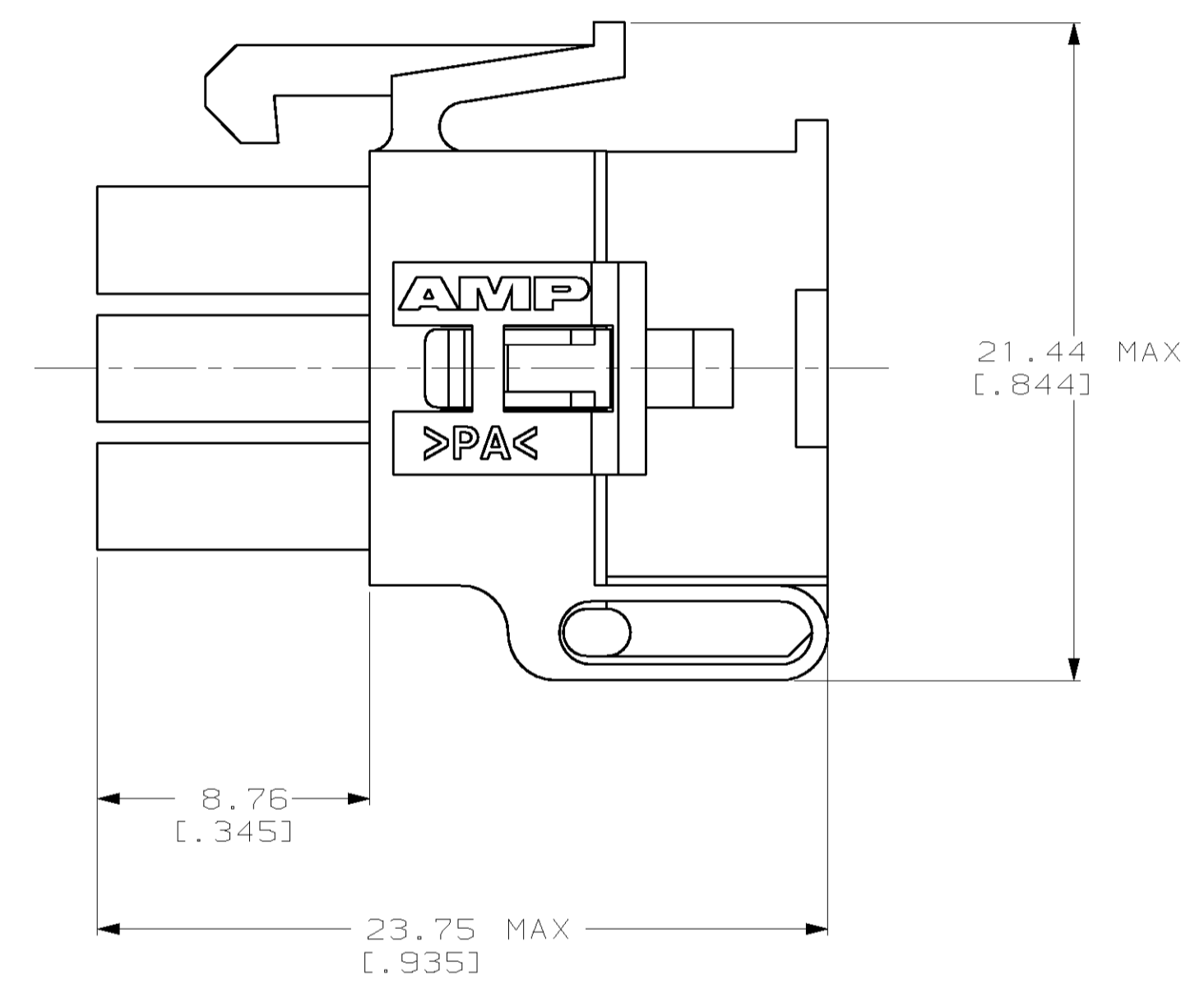
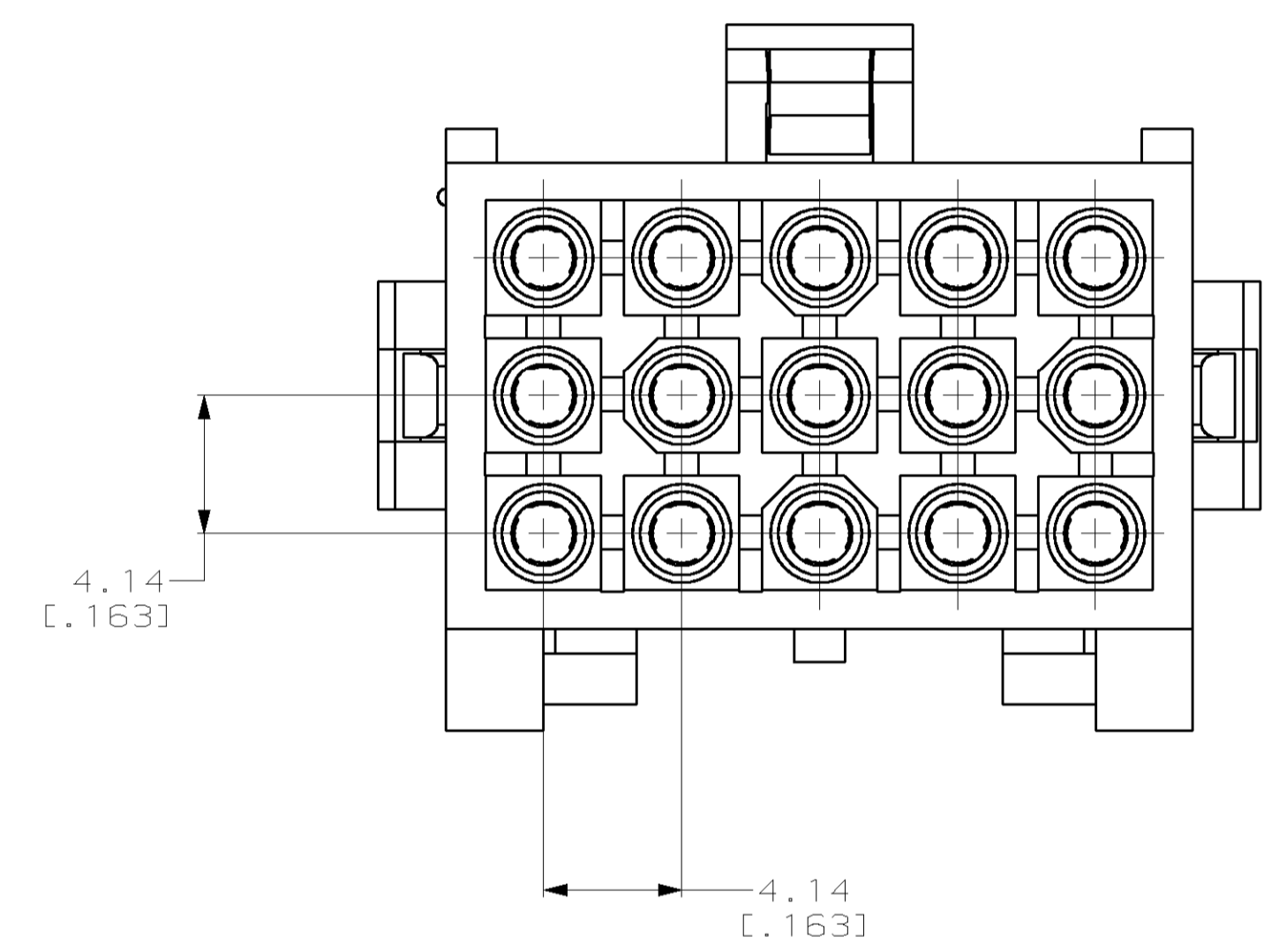


LOC		DIST		REVISIONS			
F	CHR	DATE	BY	CHK	APVD		
B		23-SEP-99	EC	ORSTAD	KW	KC	



PRE-STAGED CONDITION

1. DIMENSIONS IN BRACKETS ARE IN INCHES.



3-DIMENSIONAL MODEL  
NTS

794204-1  
PART NUMBER

**METRIC**

THIS DRAWING IS A CONTROLLED DOCUMENT.		DWN K. WHITAKER	5-16-97	AMP Incorporated Harrisburg, PA 17105-3608	
DIMENSIONS:		CHK R. SWING	5-16-97		
TOLERANCES UNLESS OTHERWISE SPECIFIED:		APVD S. ORSTAD	5-16-97		
mm		NAME			
0 PLC	±	PRODUCT SPEC		PLUG, 15 CIRCUIT, MINI UNIVERSAL MATE-N-LOK™ 2	
1 PLC	±	APPLICATION SPEC			
2 PLC	±0.13 [0.005]	SIZE	A1		
3 PLC	±	CAGE CODE	00779		
4 PLC	±	DRAWING NO	C-794204	RESTRICTED TO	
ANGLES	±	WEIGHT			
FINISH		CUSTOMER DRAWING			
MATERIAL	NYLON, UL 94V-0, NATURAL	SCALE	5:1	SHEET	1 OF 1