

6

5

4

3

2

1

E

E

D

D

C

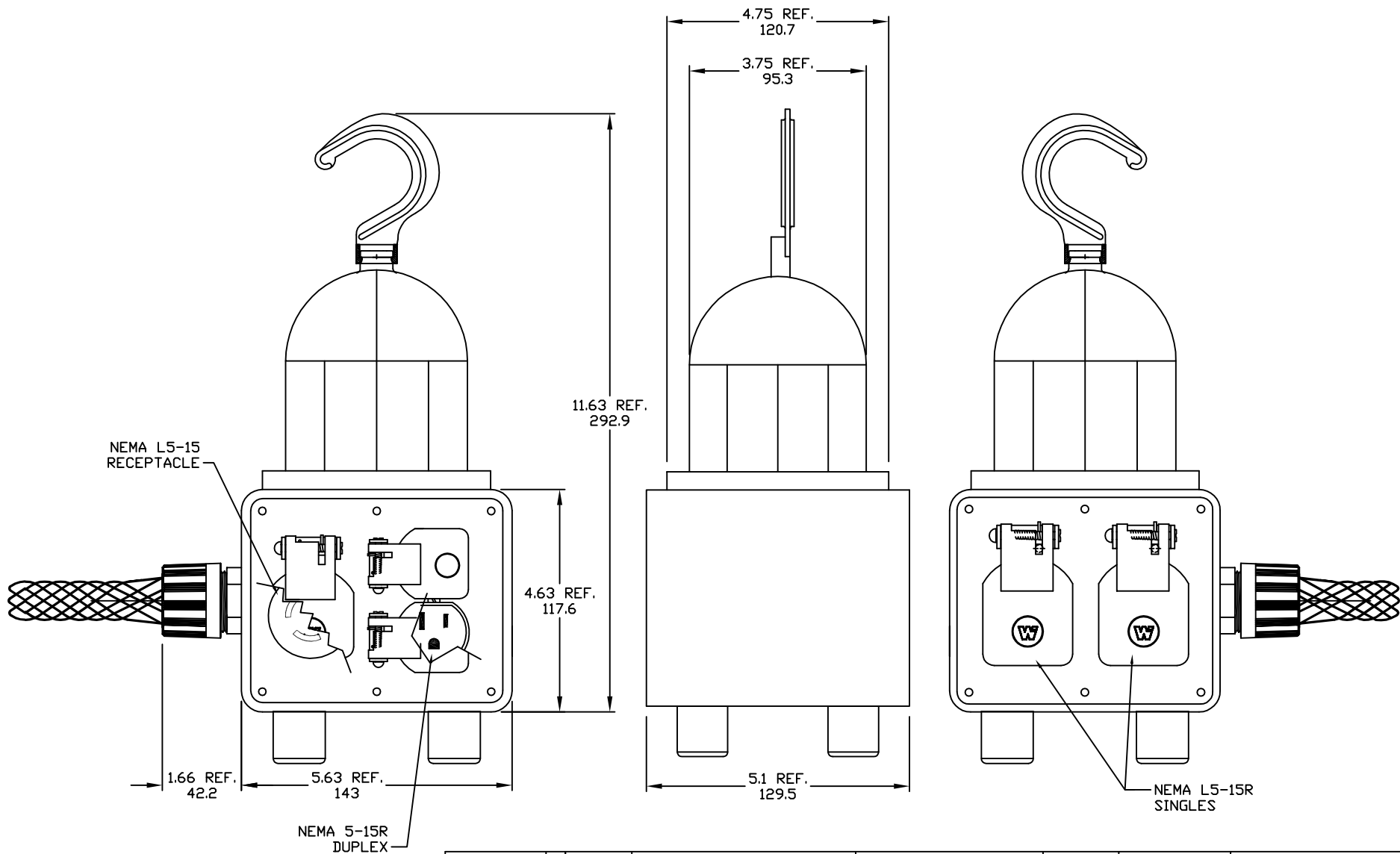
C

B

B

A

A



CUSTOMER DRAWING EC NO: WNA2009-0145 DRWN: HKNEELAN 2008/08/27 CHKD: HK 2008/09/11 APPR: JPAWLICK 2008/09/19	QUALITY SYMBOLS ▽=0 ∇=0	GENERAL TOLERANCES (UNLESS SPECIFIED)		DIMENSION STYLE INCH/MM		SCALE NTS	DESIGN UNITS INCH	THIRD ANGLE PROJECTION		
		4 PLACES	±----	±----	DRAWN BY	DATE	TITLE			
		3 PLACES	±----	±.005	CHECKED BY	DATE	LIGHT OUTLET BOX 3290-2 W/(3)L5-15 SNGL AND (1) NEMA 5-15DPLX			
		2 PLACES	±.26	±.010	APPROVED BY	DATE				
		1 PLACE	±.13	±.020	PH	2008/09/11	MOLEX INCORPORATED		SHEET NO. 1 OF 1	
ANGULAR ±.5°		MATERIAL NO. 1301350344		DOCUMENT NO. SD-130135-005		THIS DRAWING CONTAINS INFORMATION THAT IS PROPRIETARY TO MOLEX INCORPORATED AND SHOULD NOT BE USED WITHOUT WRITTEN PERMISSION				
DRAFT WHERE APPLICABLE MUST REMAIN WITHIN DIMENSIONS		SIZE A								