

4

3

2

1

THIS DRAWING IS UNPUBLISHED.

RELEASED FOR PUBLICATION

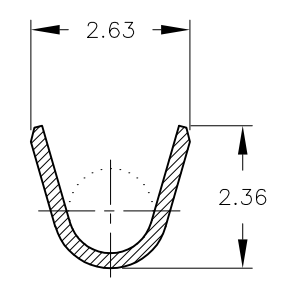
LOC DIST

REVISIONS

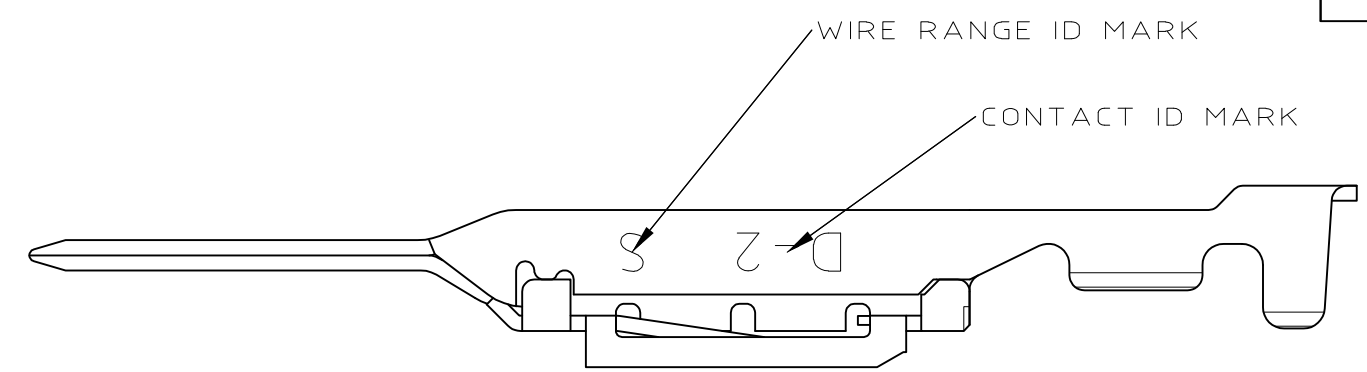
© COPYRIGHT -

ALL RIGHTS RESERVED.

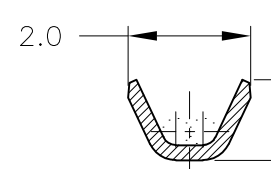
P	LTR	DESCRIPTION	DATE	DWN	APVD
	C1	REVISED PER ECO-11-005030	22MAR11	RK	HMR



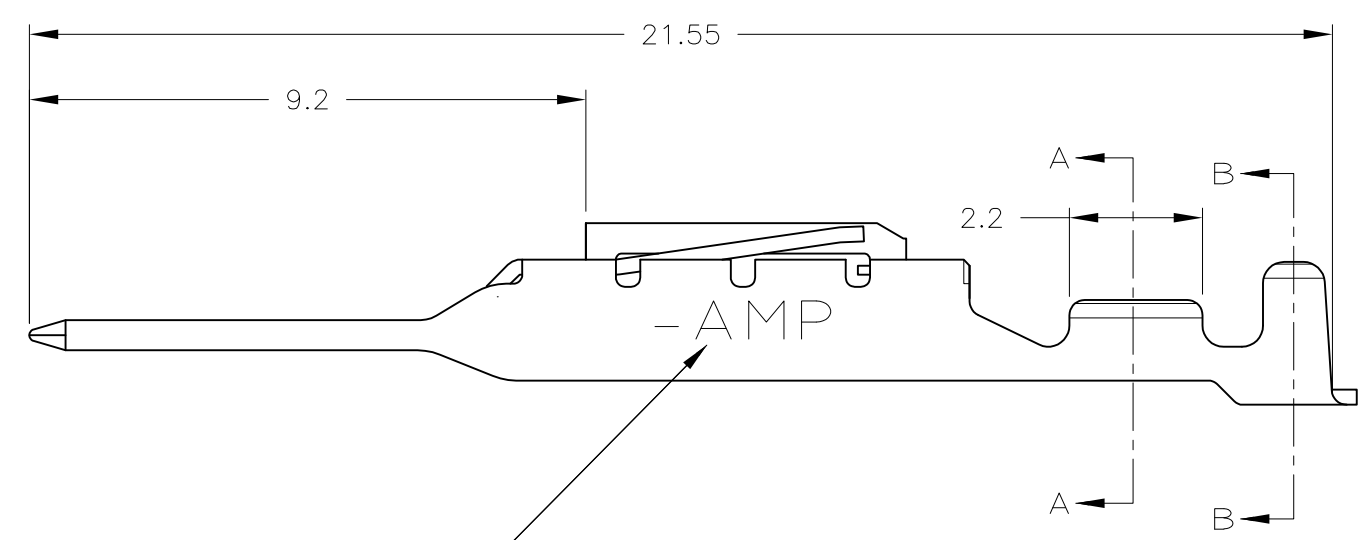
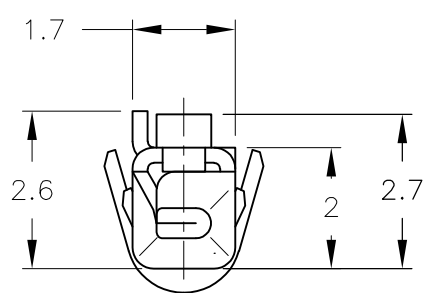
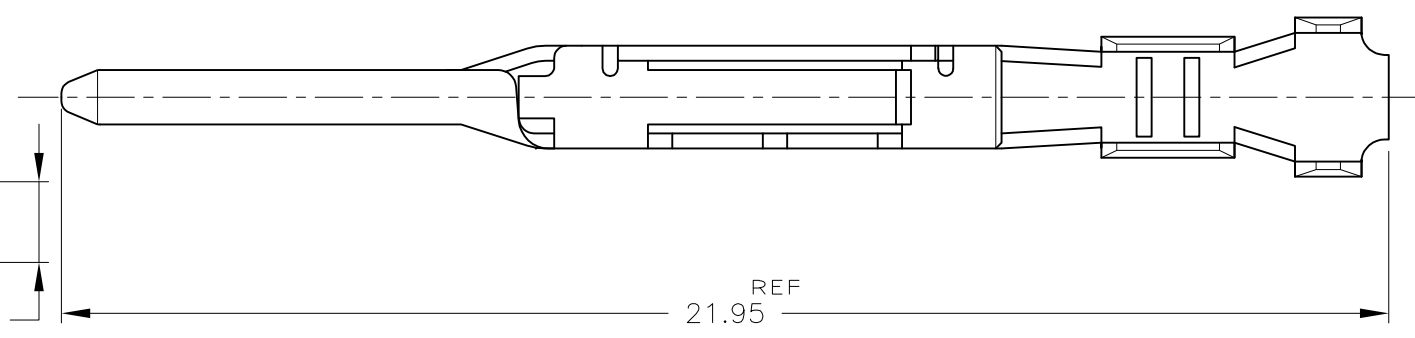
SECT B-B



-1:AS SHOWN



SECT A-A



AMP MARK

NOTES

- 1. FINISH (CONTACT AREA): 0.38 μm MIN GOLD PLATING OVER Ni PLATING

DIMENSIONS: mm		TOLERANCES UNLESS OTHERWISE SPECIFIED		DWN K.IKEDA 7/DEC/'98	WIRE RANGE AWG #28~#24	INSULATION DIA 0.88~1.5		
		±0.3 >10 : ±0.35 >30 : ±0.4 ANGLE : ±3'		CHK N.MATSUBARA 7/DEC/'98	TE Connectivity			
				APVD I.HASEGAWA 7/DEC/'98				
MATERIAL (COPPER ALLOY)		FINISH SEE NOTE		PRODUCT SPEC 108-5619	NAME TAB CONTACT "S" SIZE, L/P <DYNAMIC D-2 SERIES>			
				APPLICATION SPEC 114-5258	SIZE A3	CAGE CODE 00779	DRAWING NO C-1318112	RESTRICTED TO -
				WEIGHT CUSTOMER DRAWING	SCALE 8-1	SHEET 1	OF 1	REV C1