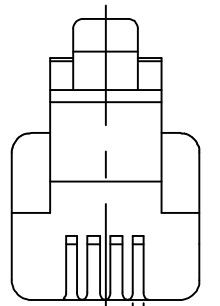
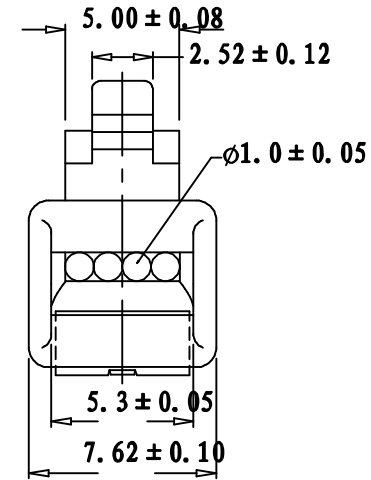
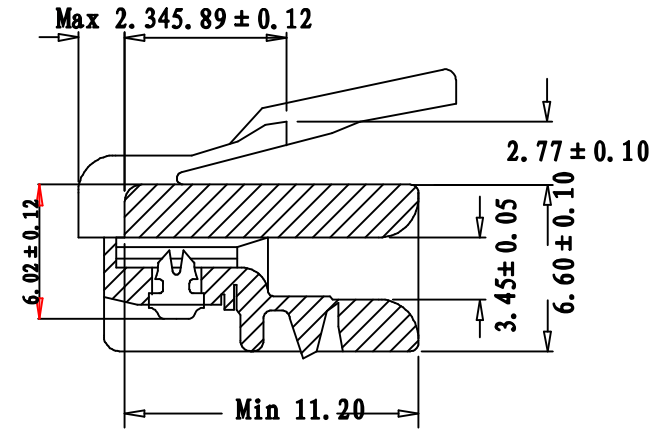


**MP4P4C**



$0.56 \pm 0.05$



SPECIFICATIONS	
HOUSING	POLY CARBONATE(PC) UL94V2 NO. E919153
CONTACT BLADE	HIGH STRENGTH COPPER ALLOY
MATERIAL	100 MICRON NICKEL UNDERPLATED
PLATING TYPE	8% PHOSPHOR BRONZE
PLATING THICKNESS:	(FU)GOLD PLATED
OPERATING TEMP	-40°C TO 125°C
CURRENT RATING	250V AC MAX AT 2A
DIELECTRIC	500V AC
INSULATION RES	500MEGAOHMS
COMPLIES WITH FCC68/F	

**"RoHS Compliance"**

REVISE	VERSION	LT#	CONTENTS
12-02-23	A/0	T0222B	NEW DRAWING

CnC Tech, LLC Industrial Cable and Connector Technology		
REV.NO:	ISSUE (A/0)	CUSTOMER:L-671
DRAWING NO:	671-361-FU-001	PART NO: 5010-FU0044-001
ITEM NO:	MP4P4C PLUG (F)	
UNIT:MM	DRAWN:	ENGINEER:
DATE: 2012-02-23	QA:	SALES DEPT:
		SALES MANAGER: