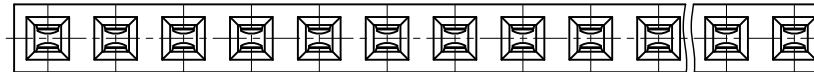


PRODUCT NUMBER
75915-YXXXLF

RoHS COMPATIBLE, SEE NOTE 6
OPTIONAL LETTER.
G: HIGH TEMPERATURE BLACK PRODUCT.
H: HIGH TEMPERATURE GREY PRODUCT.
NUMBER OF POSITIONS: 02 TO 50.

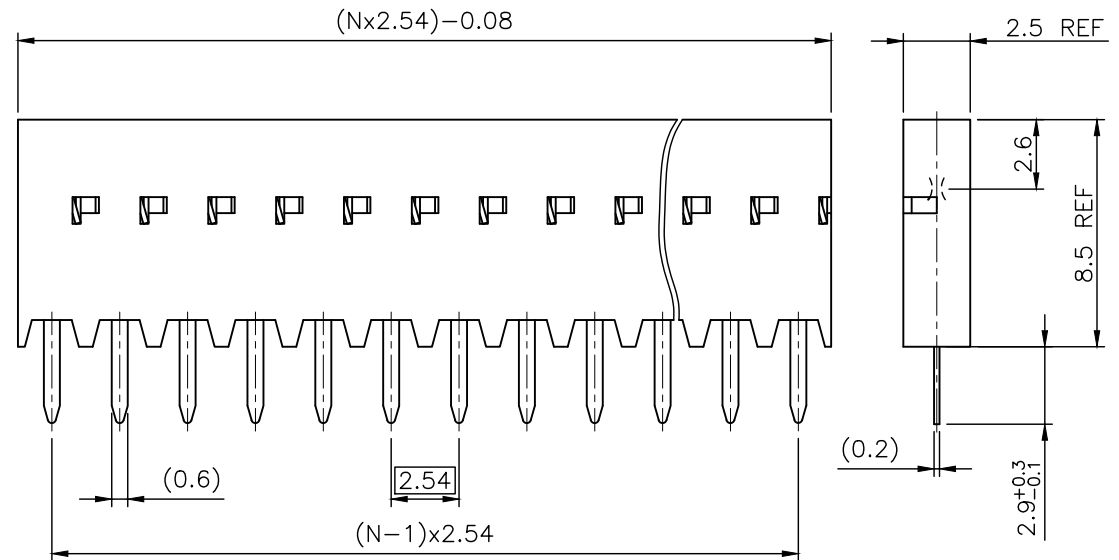
PLATING CODE
3= 0.76µm GOLD ON CONTACT AREA.
2µm MIN MATTE TIN ON TAIL.
4= 2µm MIN MATTE TIN FULL PLATED

8= 0.38µm GOLD ON CONTACT AREA.
2µm MIN MATTE TIN ON TAIL.
1.27µm Ni MIN UNDERPLATING

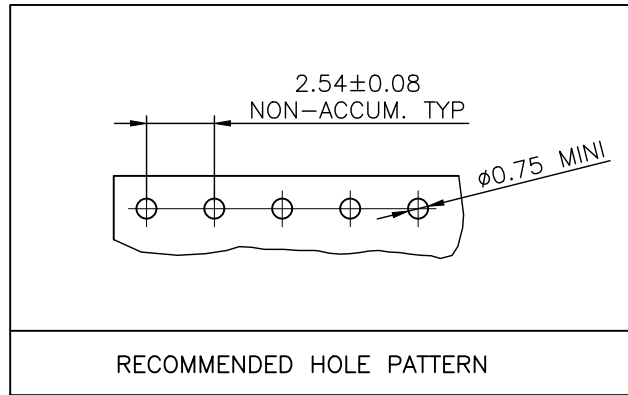


NOTES:

- 1 - HOUSING MAT'L: THERMOPLASTIC GLASS FILLED FLAME RETARDANT PER UL 94 V-0.
LOW TEMPERATURE: COLOR BLUE.
HIGH TEMPERATURE: COLOR GREY OR BLACK.
- 2 - TERMINAL MATERIAL: PHOSPHOR BRONZE.
- 3 - 2 UP TO 4 POSITIONS PRODUCT PACKED IN PLASTIC BOX.
5 UP TO 50 POSITIONS PRODUCT PACKED IN TUBE.
- 4 - TO DETERMINE DIMENSIONS:
N = NUMBER OF POSITIONS
EXAMPLE: 8 POS: (N x 2.54) - 0.08 = 20.24 mm
- 5 - RoHS COMPATIBLE PRODUCT SPECIFICATIONS
 - a - PLATING:
- "LF" MEANS THE PRODUCT IS LEAD-FREE,
2µm MINIMUM MATTE TIN OVER 1.27µm
MINIMUM NICKEL UNDERPLATE.
 - b - MANUFACTURING PROCESS COMPATIBILITY
- THE HOUSING WILL WITHSTAND EXPOSURE TO
260°C ±5°C SOLDER BATH TEMPERATURE FOR
5 SECONDS IN A WAVE SOLDER APPLICATION
WITH A 1.6mm MIN THICK CIRCUIT BOARD.
 - c - LABELING:
- MEETS PACKAGING SPECS AS PER GS-14-920
 - d - LEGAL STATEMENT: SEE GS-47-0004
- 6 - HOLE PATTERN SEE NEXT SHEET.



mat'l. code SEE NOTE 1				surface ISO 1302 <input checked="" type="checkbox"/> ISO 406 ISO 1101		tolerance ISO 406 ISO 1101		projection 		product family DUBOX	
ltr	ecn no	dr	date	tolerances unless otherwise specified		±0.3		mm		title BtB RECEPT. VERT SR TMT	
AD	F06-0204	DLE	06.06.20	angles		linear		mm		dwg no	
AE	F07-0109	DLE	07.01.16	linear		±0.3		mm		sheet 1 of 2	
AF	F09-0030	LMU	09.03.16	±2'				scale 5:1		size A3	
AG	B-19123	LMU	14.10.21	dr	D.LEGRAND	96.04.01				drawing	
AH	F-45668	DDE	22.08.17	engr	P.NIZZI	96.04.01				75915	
				chr	D.LEGRAND	96.04.01					
AC	F06-0150	DLE	06.03.17	appd	P.NIZZI	96.04.01					
sheet	revision	AH	D								
index	sheet	1	2								



Copyright FCI

mat'l. code SEE SHEET 1				surface ISO 1302 <input checked="" type="checkbox"/>		tolerance ISO 406 <input type="checkbox"/> ISO 1101 <input type="checkbox"/>		projection 		product family DUBOX		
ltr				ecn no		dr		date		title		
A	F04-0347	DLE	04.09.23	tolerances unless otherwise specified		±0.3		mm		BtB RECEPT. VERT SR TMT		
B	F05-0230	DLE	05.08.08	angles	linear		mm					
C	F06-0204	DLE	06.06.20	±2°			scale N/A					
D	F07-0109	DLE	07.01.16	dr	D.LEGRAND	04.09.23	dwg no		sheet 2 of -			size
				enr	P.NIZZI	04.09.23			75915		A4	
				chr	D.LEGRAND	04.09.23			type		CUSTOMER	Drawing
				appd	P.NIZZI	04.09.23						
sheet index		revision sheet										