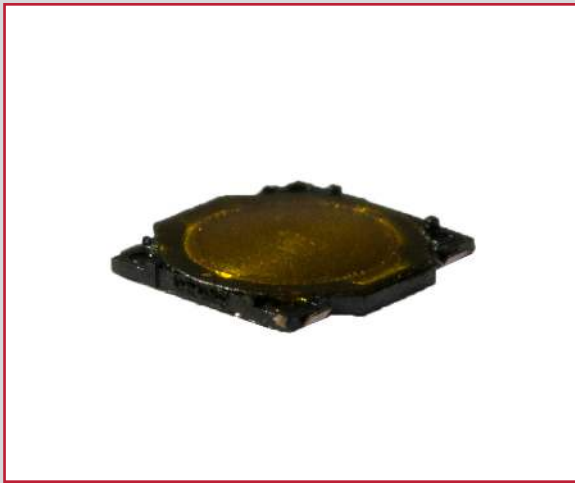


# TL3312 SERIES TACT SWITCH

ANTI-VANDAL SWITCHES  
 DETECTOR SWITCHES  
 DIP SWITCHES  
 KEYLOCK SWITCHES  
 NAVIGATION SWITCHES  
 PUSHBUTTON SWITCHES  
 ROCKER SWITCHES  
 ROTARY SWITCHES  
 SLIDE SWITCHES  
 SNAP ACTION SWITCHES  
**TACTILE SWITCHES**  
 TOGGLE SWITCHES  
 CAP OPTIONS



## APPLICATIONS / MARKETS



Wearable Electronics



Computer Peripherals



Consumer Electronics



Instrumentation



Telecommunication



Handheld Devices

**RoHS**

## SPECIFICATIONS

**Electrical Rating:** 50mA @ 12VDC  
**Contact Resistance:** 100mΩ Max. initial  
**Insulation Resistance:** 100MΩ at 100VDC  
**Dielectric Strength:** 100VAC for 1 min.  
**Operating Life:** 500,000 Cycles for 160gf  
 50,000 Cycles for 235gf  
**Operating Temperature:** -40°C to 85°C  
**Storage Temperature:** -40°C to 85°C  
**Operating Force:** 160gf  
 235gf  
**Travel:** 0.15mm  
**Contact Arrangement:** SPST

## FEATURES & BENEFITS

- Ultra-miniature - 3.7mm x 3.7mm
- Surface mount termination
- Very low profile - 0.35mm

## PART NUMBER CONFIGURATOR

Series	Model	Actuator Option	Actuation Force	Contact Material
<input type="text" value="TL"/>	<input type="text" value="3312"/>	<input type="text" value="N - None"/>	<input type="text" value="F160 - 160gf"/> <input type="text" value="F235 - 235gf"/>	<input type="text" value="Q - Silver"/>

Specifications subject to change without notice 6.27.2018



**E-SWITCH®**

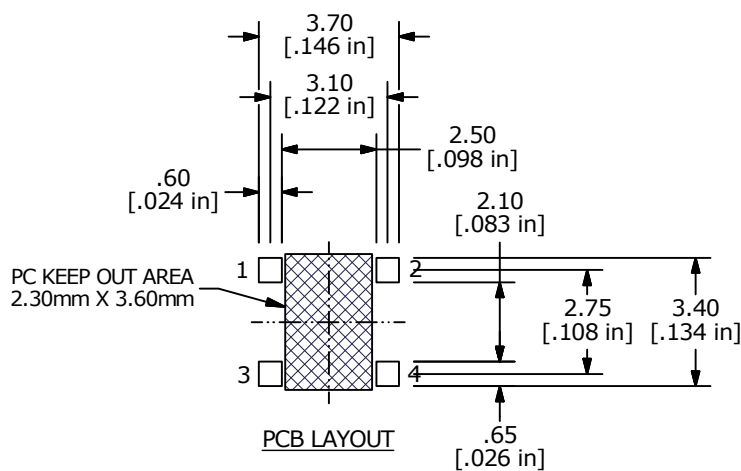
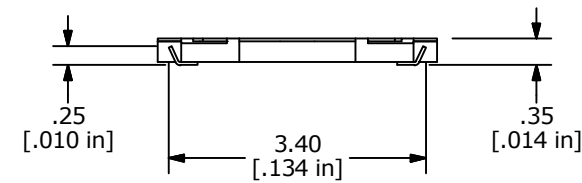
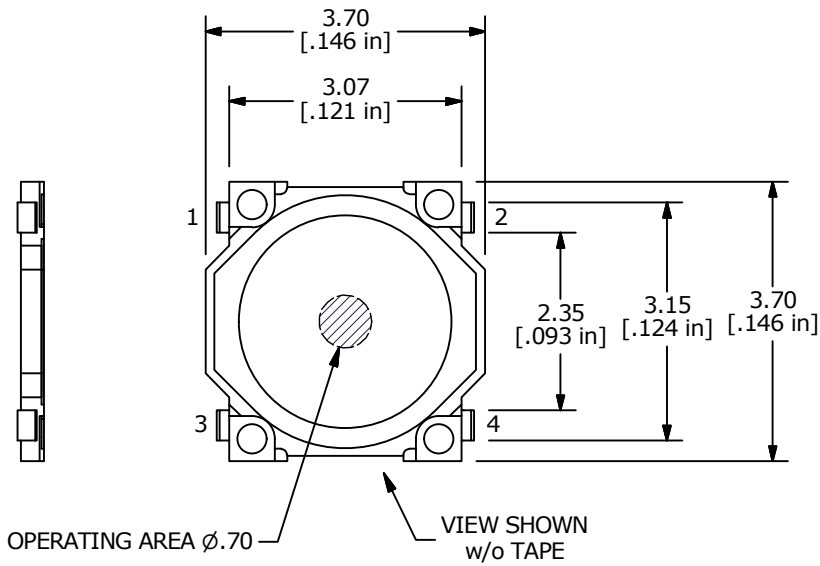
www.e-switch.com

800.867.2717

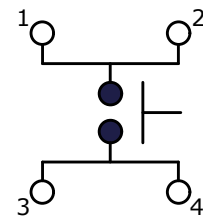
1

# TL3312 SERIES TACT SWITCH

## BODY DIMENSIONS



**SURFACE MOUNT PCB LAYOUT**



**SCHEMATIC**

