

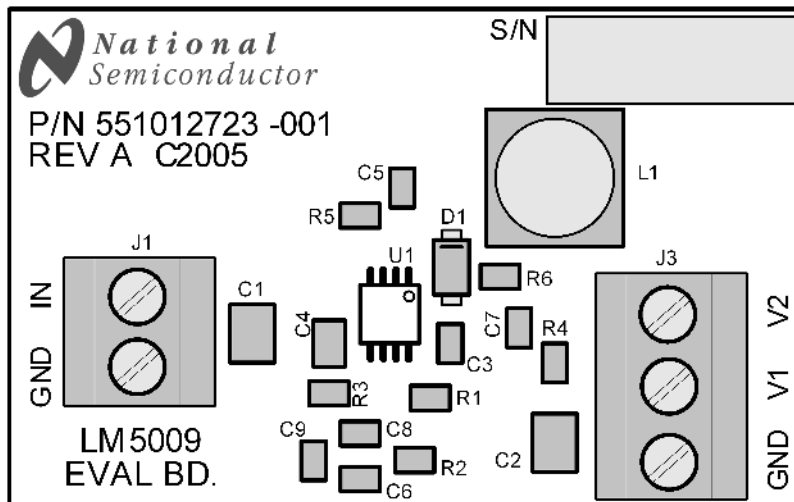
## AN-1445 LM5009 Evaluation Board

### 1 Introduction

The LM5009EVAL evaluation board provides the design engineer with a fully functional buck regulator, employing the constant on-time (COT) operating principle. This evaluation board provides a 10V output over an input range of 12V - 95V. The circuit delivers load currents to 150 mA, with current limit at  $\approx 240$  mA. The board is populated with all external components except C6 and C9. These components provide options for managing the output ripple as described later in this document.

The board's specification are:

- Input Voltage: 12V to 95V
- Output Voltage: 10V
- Maximum load current: 150 mA
- Minimum load current: 0 mA
- Current Limit:  $\approx 240$  mA
- Measured Efficiency: 93.3% ( $V_{IN} = 12V$ ,  $I_{OUT} = 100$  mA)
- Nominal Switching Frequency: 240 kHz
- Size: 1.6 in. x 1.0 in. x 0.5 in



**Figure 1. Evaluation Board - Top Side**

### 2 Theory of Operation

Refer to the evaluation board schematic in [Figure 5](#), which contains a simplified block diagram of the LM5009. When the circuit is in regulation, the buck switch is on each cycle for a time determined by R1 and the input voltage according to the equation:

$$t_{ON} = \frac{1.25 \times 10^{-10} \times R1}{V_{IN}} \quad (1)$$

All trademarks are the property of their respective owners.

The nominal switching frequency is calculated from:

$$F_S = \frac{V_{OUT}}{1.25 \times 10^{-10} \times R1} \quad (2)$$

The on-time in this evaluation board ranges from  $\approx 3540$  ns at  $V_{IN} = 12V$ , to  $\approx 450$  ns at  $V_{IN} = 95V$ . The on-time varies inversely with  $V_{IN}$  to maintain a nearly constant switching frequency, which is nominally 240 kHz in this evaluation board. At the end of each on-time the Minimum Off-Timer ensures the buck switch is off for at least 300 ns. In normal operation the off-time is much longer. During the off-time the output capacitor (C2) is discharged by the load current. When the output voltage falls sufficiently that the voltage at FB is below 2.5V, the regulation comparator initiates a new on-time period. For stable, fixed frequency operation,  $\approx 25$  mVp-p of ripple is required at FB to switch the regulation comparator. Refer to the *LM5009 150 mA, 100V Step-Down Switching Regulator (SNVS402)* data sheet for a more detailed block diagram, and a complete description of the various functional blocks.

### 3 Board Layout and Probing

Figure 1 shows the placement of the circuit components. The following should be kept in mind when the board is powered:

- When operating at high input voltage and high load current, forced air flow is recommended
- The LM5009 may be hot to the touch when operating at high input voltage and high load current.
- Use CAUTION when probing the circuit at high input voltages to prevent injury, as well as possible damage to the circuit.
- Ensure the wires connecting this board to the load are sized appropriately for the load current. Ensure there is not a significant drop in the wires between this evaluation board and the load.

### 4 Board Connection/Start-up

The input connections are made to the J1 connector. The load is normally connected to the V1 and GND terminals of the J3 connector. Ensure the wires are adequately sized for the intended load current. Before start-up a voltmeter should be connected to the input terminals, and to the output terminals. The load current should be monitored with an ammeter or a current probe. It is recommended that the input voltage be increased gradually to 12V, at which time the output voltage should be 10V. If the output voltage is correct with 12V at  $V_{IN}$ , then increase the input voltage as desired and proceed with evaluating the circuit.

### 5 Output Ripple Control

The LM5009 requires a minimum of 25 mVp-p ripple at the FB pin, in phase with the switching waveform at the SW pin, for proper operation. In the simplest configuration that ripple is derived from the ripple at  $V_{OUT1}$ , generated by the inductor's ripple current flowing through R4. That ripple voltage is attenuated by the feedback resistors, requiring that the ripple amplitude at  $V_{OUT1}$  be higher than the minimum of 25 mVp-p by the gain factor. Options for reducing the output ripple are discussed below, and the results are shown in the graph of Figure 8.

**A) Minimum Output Ripple:** This evaluation board is supplied configured for minimum ripple at  $V_{OUT1}$  by setting R4 to zero ohms, and including components R6, C7 and C8. The output ripple, which ranges from 5 mVp-p at  $V_{IN} = 12V$  to 14 mVp-p at  $V_{IN} = 95V$ , is determined primarily by the ESR of output capacitor (C2), and the inductor's ripple current, which ranges from 32 mAp-p to 170 mAp-p over the input voltage range. This performance applies only to continuous conduction mode as the ripple amplitude is higher in discontinuous conduction mode. The ripple voltage required by the FB pin is generated by R6, C7 and C8 since the SW pin switches from -1V to  $V_{IN}$ , and the right end of C7 is a virtual ground. The values for R6 and C7 are chosen to generate a 30-40 mVp-p triangle waveform at their junction. That triangle wave is then coupled to the FB pin through C8. The following procedure is used to calculate values for R6, C7 and C8:

1) Calculate the voltage  $V_A$ :

$$V_A = V_{OUT} - (V_{SW} \times (1 - (V_{OUT}/V_{IN}))) \quad (3)$$

where  $V_{SW}$  is the absolute value of the voltage at the SW pin during the off-time (typically 1V), and  $V_{IN}$  is the minimum input voltage. For this circuit  $V_A$  calculates to 9.83V. This is the DC voltage at the R6/C7 junction, and is used in the next equation.

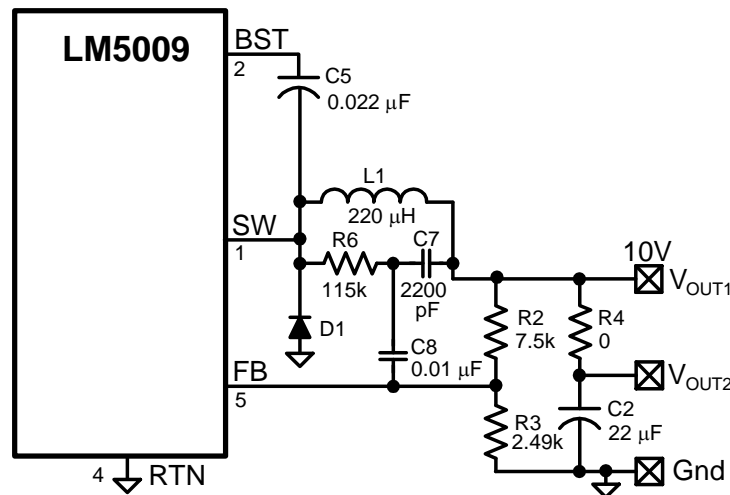
2) Calculate the R6 x C7 product:

$$R6 \times C7 = \frac{(V_{IN} - V_A) \times t_{ON}}{\Delta V} \tag{4}$$

where  $t_{ON}$  is the maximum on-time ( $\approx 3540$  ns),  $V_{IN}$  is the minimum input voltage, and  $\Delta V$  is the desired ripple amplitude at the R6/C7 junction, 30 mVp-p for this example.

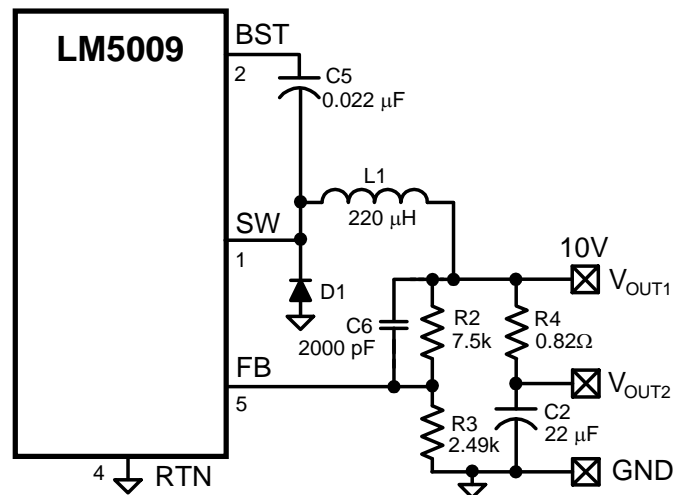
$$R6 \times C7 = \frac{(12V - 9.83V) \times 3540ns}{0.03V} = 2.56 \times 10^{-4} \tag{5}$$

R6 and C7 are then chosen from standard value components to satisfy the above product. For example, C7 can be 2200 pF requiring R6 to be 116 kΩ. A standard value 115 kΩ is used in this board. C8 is chosen to be 0.01 μF, large compared to C7. This portion of the circuit, as supplied on this EVB, is shown in [Figure 2](#).



**Figure 2. Minimum Ripple Using R6, C7, C8**

**B) Intermediate Ripple Level Configuration:** This configuration generates more ripple at  $V_{OUT1}$  than the above configuration, but uses one less capacitor. If some ripple can be tolerated in the application, this configuration is slightly more economical, and simpler. R4 and C6 are used instead of R6, C7, and C8, as shown in [Figure 3](#).



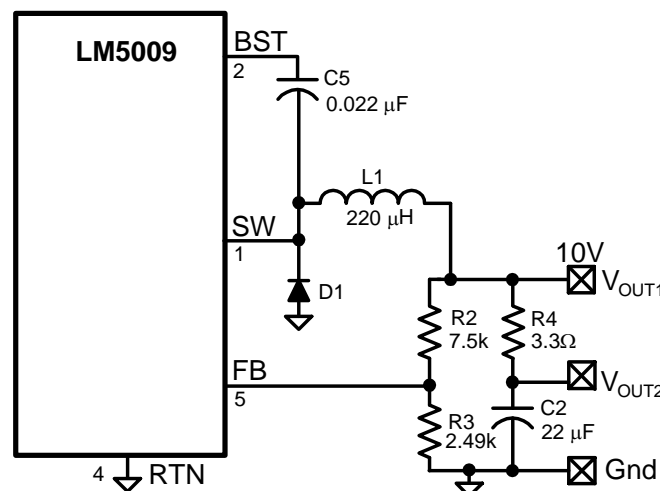
**Figure 3. Intermediate Ripple Level Configuration Using C6 and R4**

R4 is chosen to generate  $\geq 25$  mV at  $V_{OUT1}$ , knowing that the minimum ripple current in this circuit is 32 mA<sub>p-p</sub> at minimum  $V_{IN}$ . C6 couples that ripple to the FB pin without the attenuation of the feedback resistors. C6's minimum value is calculated from:

$$C6 = \frac{t_{ON(max)}}{(R2//R3)} \quad (6)$$

where  $t_{ON(max)}$  is the maximum on-time (at minimum  $V_{IN}$ ), and  $R2//R3$  is the equivalent parallel value of the feedback resistors. For this evaluation board  $t_{ON(max)}$  is approximately 3540 ns, and  $R2//R3 = 1.875$  k $\Omega$ , and C6 calculates to a minimum of 1900 pF. The resulting ripple at  $V_{OUT1}$  ranges from  $\approx 25$  mV<sub>p-p</sub> to 140 mV<sub>p-p</sub> over the input voltage range with the circuit in continuous conduction mode. The ripple amplitude is higher if the load current is low enough to force the circuit into discontinuous conduction mode.

**C) Minimum Cost Configuration:** This configuration is the same as option B above, but without C6. Since 25 mV<sub>p-p</sub> are required at the FB pin, R4 is chosen to generate 100 mV<sub>p-p</sub> at  $V_{OUT1}$ , knowing that the minimum ripple current in this circuit is 32 mA<sub>p-p</sub> at minimum  $V_{IN}$ . To allow for tolerances, 3.3 $\Omega$  is used for R4. The resulting ripple at  $V_{OUT1}$  ranges from  $\approx 105$  mV<sub>p-p</sub> to  $\approx 580$  mV<sub>p-p</sub> over the input voltage range. If the application can accept this ripple level, this is the most economical solution. The circuit is shown in Figure 4.



**Figure 4. Minimum Cost Configuration**

D) **Alternate Low Ripple Configuration:** A low ripple output can be obtained by connecting the load to  $V_{OUT2}$  in the circuits of options B or C above. Since R4 degrades load regulation, this alternative may be viable for applications where the load current is relatively constant. If this method is used, ensure R4's power rating is appropriate for the load current.

## 6 Current Limit

The LM5009 contains an intelligent current limit off-timer. The current limit threshold is 310 mA,  $\pm 60$  mA. If the current in the buck switch (the peak of the inductor's current waveform) reaches the threshold the present on-time cycle is immediately terminated, and a non-resetable off-time is initiated. The length of the off-time is controlled by an external resistor (R5) and the voltage at the FB pin. If  $V_{FB} = 0V$  (output is shorted to ground) the off-time is the preset maximum of 35  $\mu s$ . This off-time ensures safe short circuit operation to the maximum input voltage of 95V. In cases of less severe overload where the output voltage, and the voltage at FB, is above ground the current limit off-time is less than 35  $\mu s$ . The shorter off-times reduces the amount of foldback, recovery time, and also reduces the startup time. The current limit off-time is calculated from the following equation:

$$t_{OFF} = \frac{10^{-5}}{0.285 + \frac{V_{FB}}{6.35 \times 10^{-6} \times R5}} \quad (7)$$

The current limit off-time ranges from 5.5  $\mu s$  to 35  $\mu s$  as  $V_{FB}$  varies from 2.5V to 0V, with  $R5 = 255$  k $\Omega$ . The guideline for selecting R5's value is that the current limit off-time (at  $V_{FB} = 2.5V$ ) should be slightly longer than the maximum off-time encountered in normal operation. Setting a shorter off-time could result in inadequate overload protection, and setting a much longer off-time can affect the startup operation.

## 7 Minimum Load Current

The LM5009 requires a minimum load current of  $\approx 500$   $\mu A$  to ensure the boost capacitor (C5) is recharged sufficiently during each off-time. In this evaluation board, the minimum load current is provided by the feedback resistors (R2, R3), allowing the board's minimum load current to be specified at zero.

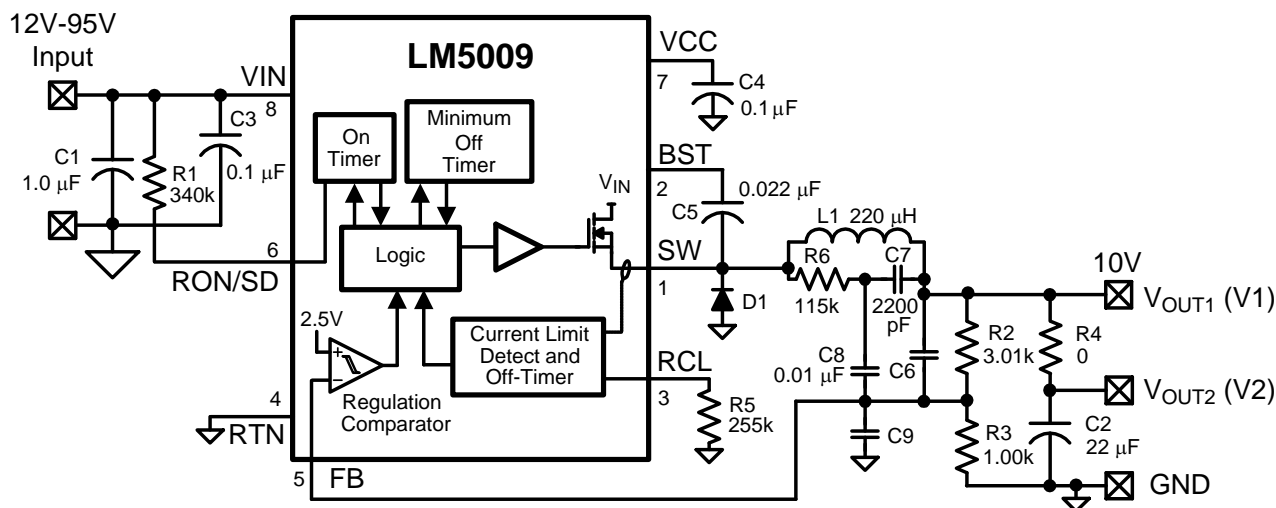


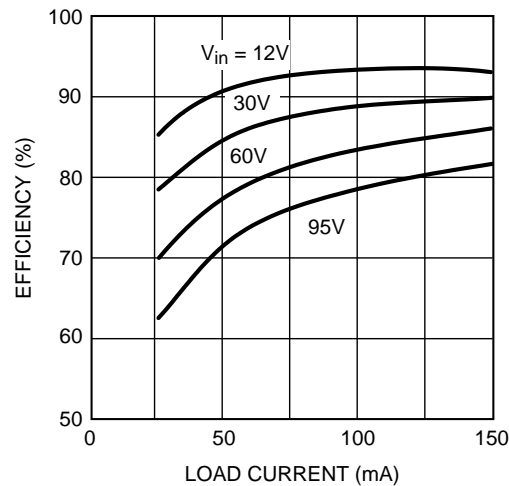
Figure 5. Complete Evaluation Board Schematic

## 8 Bill of Materials

**Table 1. Bill of Materials**

Item	Description	Mfg., Part Number	Package	Value
C1	Ceramic Capacitor	TDK C3225X7R2A105M	1210	1.0 $\mu$ F, 100V
C2	Ceramic Capacitor	TDK C3225X5R1C226M	1210	22 $\mu$ F, 16V
C3, 4	Ceramic Capacitor	TDK C2012X7R2A104M	0805	0.1 $\mu$ F, 100V
C5	Ceramic Capacitor	TDK C2012X7R2A223M	0805	0.022 $\mu$ F, 100V
C6		Unpopulated	0805	
C7	Ceramic Capacitor	TDK C2012X7R2A222M	0805	2200 pF
C8	Ceramic Capacitor	TDK C2012X7R2A103M	0805	0.01 $\mu$ F, 100V
C9		Unpopulated	0805	
D1	Schottky Diode	Diodes Inc. DFLS1100	Power DI 123	100V, 1A
L1	Power Inductor	TDK SLF7045T-221MR33	7 mm x 7 mm	220 $\mu$ H, 0.45A
R1	Resistor	Vishay CRCW08053403F	0805	340 k $\Omega$
R2	Resistor	CRCW08053K01FKEA	0805	3.01 k $\Omega$
R3	Resistor	CRCW08051K00FKEA	0805	1.00 k $\Omega$
R4	Resistor	Vishay CRCW0805000Z	0805	0 $\Omega$
R5	Resistor	Vishay CRCW08052553F	0805	255 k $\Omega$
R6	Resistor	Vishay CRCW08051153F	0805	115 k $\Omega$
U1	Switching Regulator	Texas Instruments LM5009	VSSOP-8	

## 9 Circuit Performance



**Figure 6. Efficiency vs Load Current**

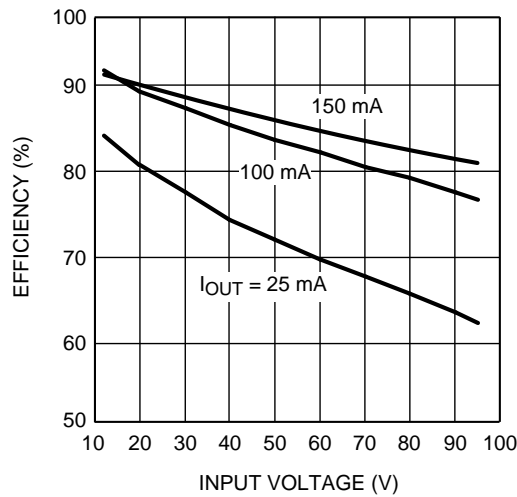


Figure 7. Efficiency vs Input Voltage

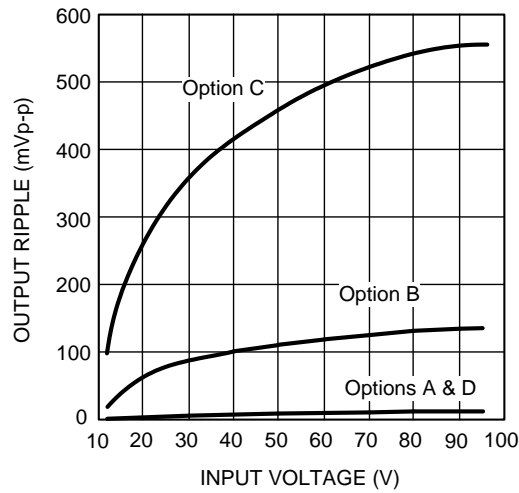


Figure 8. Output Voltage Ripple

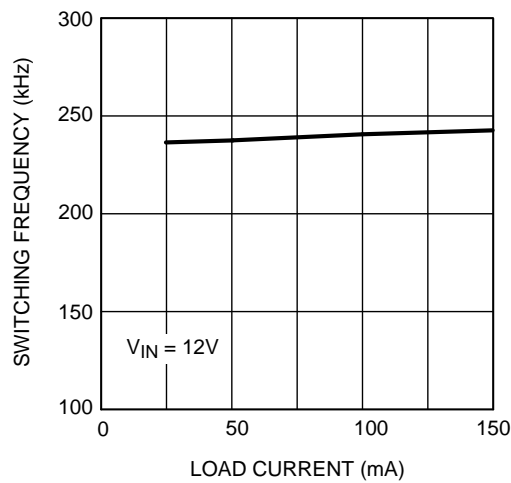


Figure 9. Switching Frequency vs. Load Current

10 PCB Layout

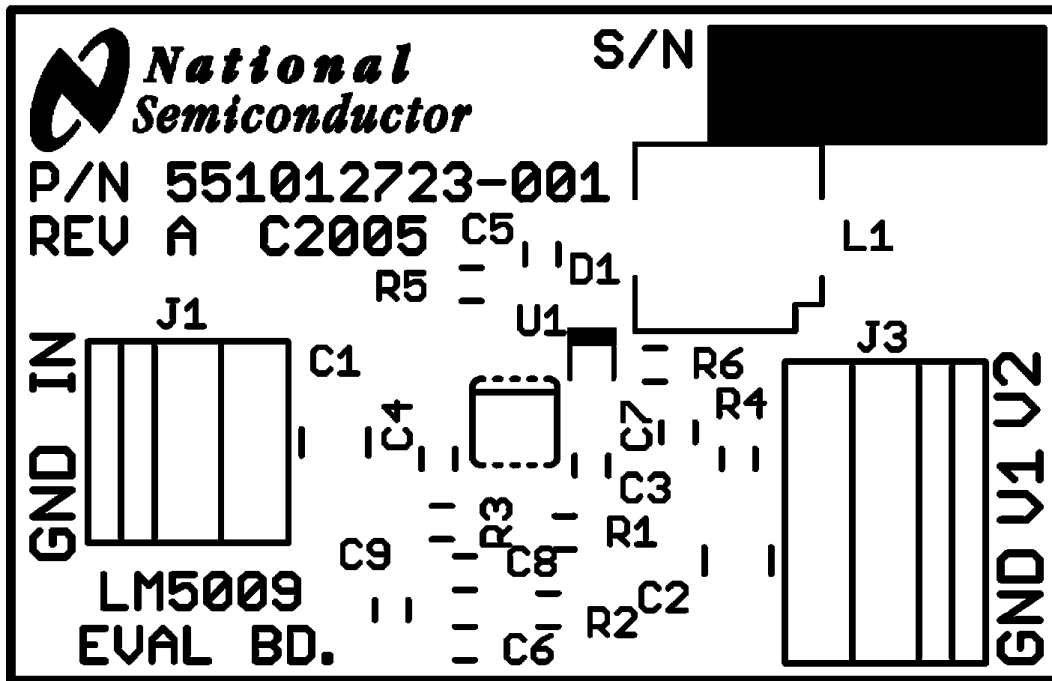


Figure 10. Board Silkscreen

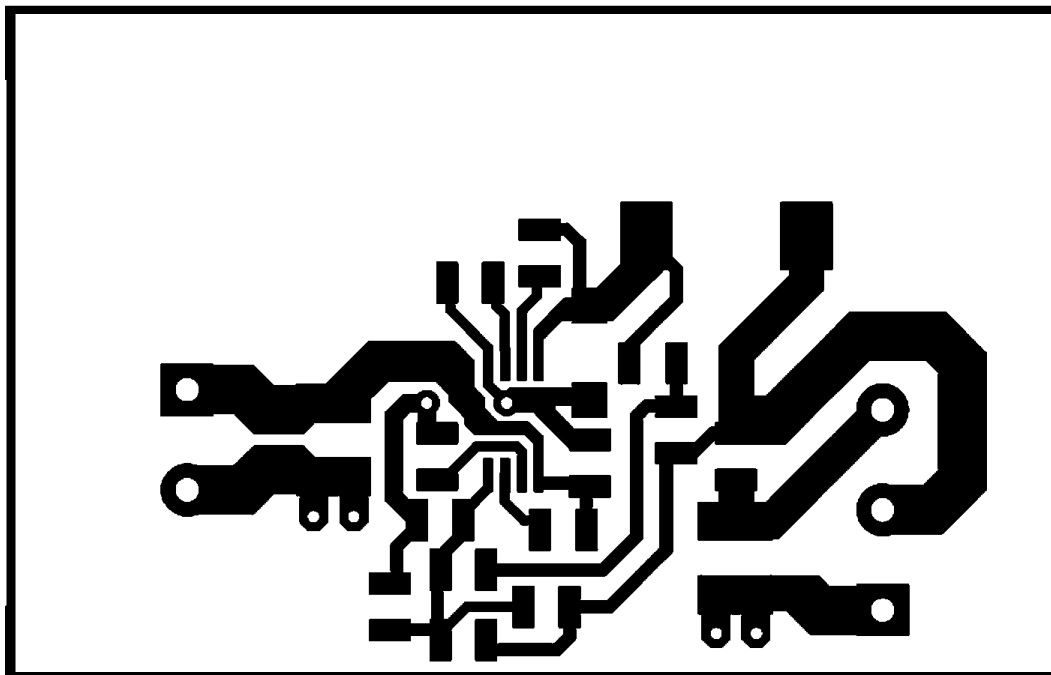


Figure 11. Board Top Layer



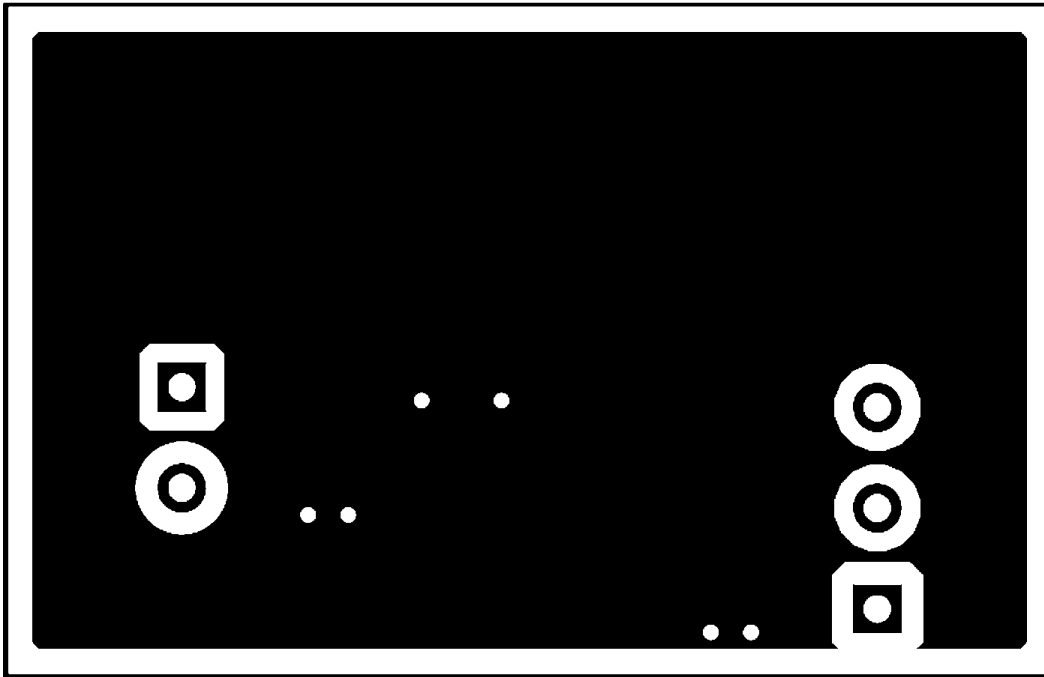


Figure 12. Board Bottom Layer (viewed from top)

## IMPORTANT NOTICE

Texas Instruments Incorporated and its subsidiaries (TI) reserve the right to make corrections, enhancements, improvements and other changes to its semiconductor products and services per JESD46, latest issue, and to discontinue any product or service per JESD48, latest issue. Buyers should obtain the latest relevant information before placing orders and should verify that such information is current and complete. All semiconductor products (also referred to herein as "components") are sold subject to TI's terms and conditions of sale supplied at the time of order acknowledgment.

TI warrants performance of its components to the specifications applicable at the time of sale, in accordance with the warranty in TI's terms and conditions of sale of semiconductor products. Testing and other quality control techniques are used to the extent TI deems necessary to support this warranty. Except where mandated by applicable law, testing of all parameters of each component is not necessarily performed.

TI assumes no liability for applications assistance or the design of Buyers' products. Buyers are responsible for their products and applications using TI components. To minimize the risks associated with Buyers' products and applications, Buyers should provide adequate design and operating safeguards.

TI does not warrant or represent that any license, either express or implied, is granted under any patent right, copyright, mask work right, or other intellectual property right relating to any combination, machine, or process in which TI components or services are used. Information published by TI regarding third-party products or services does not constitute a license to use such products or services or a warranty or endorsement thereof. Use of such information may require a license from a third party under the patents or other intellectual property of the third party, or a license from TI under the patents or other intellectual property of TI.

Reproduction of significant portions of TI information in TI data books or data sheets is permissible only if reproduction is without alteration and is accompanied by all associated warranties, conditions, limitations, and notices. TI is not responsible or liable for such altered documentation. Information of third parties may be subject to additional restrictions.

Resale of TI components or services with statements different from or beyond the parameters stated by TI for that component or service voids all express and any implied warranties for the associated TI component or service and is an unfair and deceptive business practice. TI is not responsible or liable for any such statements.

Buyer acknowledges and agrees that it is solely responsible for compliance with all legal, regulatory and safety-related requirements concerning its products, and any use of TI components in its applications, notwithstanding any applications-related information or support that may be provided by TI. Buyer represents and agrees that it has all the necessary expertise to create and implement safeguards which anticipate dangerous consequences of failures, monitor failures and their consequences, lessen the likelihood of failures that might cause harm and take appropriate remedial actions. Buyer will fully indemnify TI and its representatives against any damages arising out of the use of any TI components in safety-critical applications.

In some cases, TI components may be promoted specifically to facilitate safety-related applications. With such components, TI's goal is to help enable customers to design and create their own end-product solutions that meet applicable functional safety standards and requirements. Nonetheless, such components are subject to these terms.

No TI components are authorized for use in FDA Class III (or similar life-critical medical equipment) unless authorized officers of the parties have executed a special agreement specifically governing such use.

Only those TI components which TI has specifically designated as military grade or "enhanced plastic" are designed and intended for use in military/aerospace applications or environments. Buyer acknowledges and agrees that any military or aerospace use of TI components which have **not** been so designated is solely at the Buyer's risk, and that Buyer is solely responsible for compliance with all legal and regulatory requirements in connection with such use.

TI has specifically designated certain components as meeting ISO/TS16949 requirements, mainly for automotive use. In any case of use of non-designated products, TI will not be responsible for any failure to meet ISO/TS16949.

### Products

Audio	<a href="http://www.ti.com/audio">www.ti.com/audio</a>
Amplifiers	<a href="http://amplifier.ti.com">amplifier.ti.com</a>
Data Converters	<a href="http://dataconverter.ti.com">dataconverter.ti.com</a>
DLP® Products	<a href="http://www.dlp.com">www.dlp.com</a>
DSP	<a href="http://dsp.ti.com">dsp.ti.com</a>
Clocks and Timers	<a href="http://www.ti.com/clocks">www.ti.com/clocks</a>
Interface	<a href="http://interface.ti.com">interface.ti.com</a>
Logic	<a href="http://logic.ti.com">logic.ti.com</a>
Power Mgmt	<a href="http://power.ti.com">power.ti.com</a>
Microcontrollers	<a href="http://microcontroller.ti.com">microcontroller.ti.com</a>
RFID	<a href="http://www.ti-rfid.com">www.ti-rfid.com</a>
OMAP Applications Processors	<a href="http://www.ti.com/omap">www.ti.com/omap</a>
Wireless Connectivity	<a href="http://www.ti.com/wirelessconnectivity">www.ti.com/wirelessconnectivity</a>

### Applications

Automotive and Transportation	<a href="http://www.ti.com/automotive">www.ti.com/automotive</a>
Communications and Telecom	<a href="http://www.ti.com/communications">www.ti.com/communications</a>
Computers and Peripherals	<a href="http://www.ti.com/computers">www.ti.com/computers</a>
Consumer Electronics	<a href="http://www.ti.com/consumer-apps">www.ti.com/consumer-apps</a>
Energy and Lighting	<a href="http://www.ti.com/energy">www.ti.com/energy</a>
Industrial	<a href="http://www.ti.com/industrial">www.ti.com/industrial</a>
Medical	<a href="http://www.ti.com/medical">www.ti.com/medical</a>
Security	<a href="http://www.ti.com/security">www.ti.com/security</a>
Space, Avionics and Defense	<a href="http://www.ti.com/space-avionics-defense">www.ti.com/space-avionics-defense</a>
Video and Imaging	<a href="http://www.ti.com/video">www.ti.com/video</a>

### TI E2E Community

[e2e.ti.com](http://e2e.ti.com)