

TTC-6P-3-HF-M-12DC-UT-I - Surge protection device



2906744

<https://www.phoenixcontact.com/us/products/2906744>

Please be informed that the data shown in this PDF document is generated from our online catalog. Please find the complete data in the user documentation. Our general terms of use for downloads are valid.



Surge protection, consisting of protective plug and base element, with integrated status indicator and knife disconnection for three signal wires with common reference potential. For HF applications and telecommunications interfaces without supply voltage, Ex e approval for zone 2.

Your advantages

- Space-saving and cost-saving with a narrow overall width of just 6 mm
- Continuous monitoring of protective devices, plus mechanical status indicator with optional remote signaling
- Finding the right product for all possible requirements in MCR applications is easy, thanks to the complete range of products with customized features
- Easy testing and documentation with CHECKMASTER 2 with pluggable protective modules
- The signal is not influenced during maintenance work, thanks to the impedance-neutral insertion and removal of protective plugs

Commercial data

Item number	2906744
Packing unit	1 pc
Minimum order quantity	1 pc
Sales key	CL23
Product key	CL2161
Catalog page	Page 171 (C-4-2019)
GTIN	4055626134765
Weight per piece (including packing)	57 g
Weight per piece (excluding packing)	46.5 g
Customs tariff number	85363010
Country of origin	DE

Technical data

Product properties

IEC test classification	C1
	C2
	C3
	D1
Type	DIN rail module, two-section, divisible
Product type	Surge protection for information technology
Product family	TERMITRAB complete

Insulation characteristics

Overvoltage category	III
Pollution degree	2

Electrical properties

Nominal voltage U_N	12 V DC
-----------------------	---------

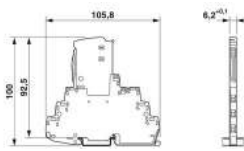
Connection data

Connection method	Screw connection
Screw thread	M3
Tightening torque	0.5 Nm ... 0.6 Nm
Conductor cross section flexible	0.2 mm ² ... 2.5 mm ²
Conductor cross section rigid	0.2 mm ² ... 4 mm ²
Conductor cross section AWG	24 ... 12

Ex data

Maximum input current	600 mA (T4 / ≤ 30 °C)
	500 mA (T4 / > 30 °C ... ≤ 50 °C)
	400 mA (T4 / > 50 °C ... ≤ 70 °C)
Maximum input voltage	15 V DC
Altitude	≤ 2000 m (amsl)
Ambient temperature (operation)	-40 °C ... 70 °C (T4)

Dimensions

Dimensional drawing	
Width	6.2 mm +0.1 mm
Height	105.8 mm
Depth	100 mm (incl. DIN rail 7.5 mm)

TTC-6P-3-HF-M-12DC-UT-I - Surge protection device



2906744

<https://www.phoenixcontact.com/us/products/2906744>

Material specifications

Flammability rating according to UL 94	V-0
Insulating material	PBT
Housing material	PBT

Mechanical properties

Mechanical data

Open side panel	No
-----------------	----

Protective circuit

Direction of action	Line-Line & Line-Signal Ground/Shield & optional Signal Ground/Shield-Earth Ground
Maximum continuous voltage U_C	15 V DC
	10 V AC
Rated current	600 mA (56 °C)
Operating effective current I_C at U_C	$\leq 100 \mu\text{A}$
Residual current I_{PE}	$\leq 200 \mu\text{A}$
Nominal discharge current I_n (8/20) μs (line-line)	5 kA
Nominal discharge current I_n (8/20) μs (line-ground)	5 kA
Pulse discharge current I_{imp} (10/350) μs (line-line)	0.5 kA
Pulse discharge current I_{imp} (10/350) μs (line-earth)	0.5 kA
Total discharge current I_{total} (8/20) μs	10 kA
Voltage protection level U_p (line-line)	$\leq 145 \text{ V}$ (C1 - 1 kV / 500 A)
	$\leq 260 \text{ V}$ (C2 - 10 kV / 5 kA)
	$\leq 25 \text{ V}$ (C3 - 25 A)
	$\leq 30 \text{ V}$ (C3 - 100 A)
Voltage protection level U_p (line-earth)	$\leq 80 \text{ V}$ (C1 - 1 kV / 500 A)
	$\leq 95 \text{ V}$ (C2 - 10 kV / 5 kA)
	$\leq 25 \text{ V}$ (C3 - 25 A)
	$\leq 30 \text{ V}$ (C3 - 100 A)
Voltage protection level U_p static (line-line)	$\leq 40 \text{ V}$ (C1 - 1 kV / 500 A)
	$\leq 95 \text{ V}$ (C2 - 10 kV / 5 kA)
Voltage protection level U_p static (line-earth)	$\leq 40 \text{ V}$ (C1 - 1 kV / 500 A)
	$\leq 95 \text{ V}$ (C2 - 10 kV / 5 kA)
Response time t_A (line-line)	$\leq 1 \text{ ns}$
Response time t_A (line-earth)	$\leq 1 \text{ ns}$
Input attenuation aE, sym.	typ. 0.3 dB ($\leq 8.7 \text{ MHz}$ / 150 Ω)
Input attenuation aE, asym.	typ. 0.3 dB ($\leq 10.5 \text{ MHz}$ / 150 Ω)
Cut-off frequency f_g (3 dB), sym. in 150 Ω system	typ. 60 MHz
Cut-off frequency f_g (3 dB), asym. (PE) in 150 Ω system	typ. 60 MHz
Capacity (Core-Core)	typ. 32 pF
Capacity (Core-Earth)	typ. 32 pF
Resistance per path	1.65 $\Omega \pm 20 \%$

TTC-6P-3-HF-M-12DC-UT-I - Surge protection device



2906744

<https://www.phoenixcontact.com/us/products/2906744>

Surge protection fault message	optical
Max. required back-up fuse	630 mA (FF)
Impulse durability (line-line)	C1 - 1 kV / 500 A
	C2 - 10 kV / 5 kA
	C3 - 100 A
Impulse durability (line-earth)	C1 - 1 kV / 500 A
	C2 - 10 kV / 5 kA
	C3 - 100 A
	D1 - 500 A
Pulse reset time (line-line)	≤ 30 ms
Pulse reset time (line-earth)	≤ 30 ms

Additional technical data

Max. total discharge current $I_{total\ max}$ (8/20) μ s	20 kA (1x - non Ex)
--	---------------------

Environmental and real-life conditions

Ambient conditions

Degree of protection	IP20
Ambient temperature (operation)	-40 °C ... 85 °C
Ambient temperature (storage/transport)	-40 °C ... 85 °C
Altitude	≤ 4000 m (amsl)
Permissible humidity (operation)	5 % ... 95 %

Standards and regulations

Standards/specifications	IEC 61643-21
Note	2000 + corrigendum 2001 + A1:2008, modified + A2:2012

EN 61643-21

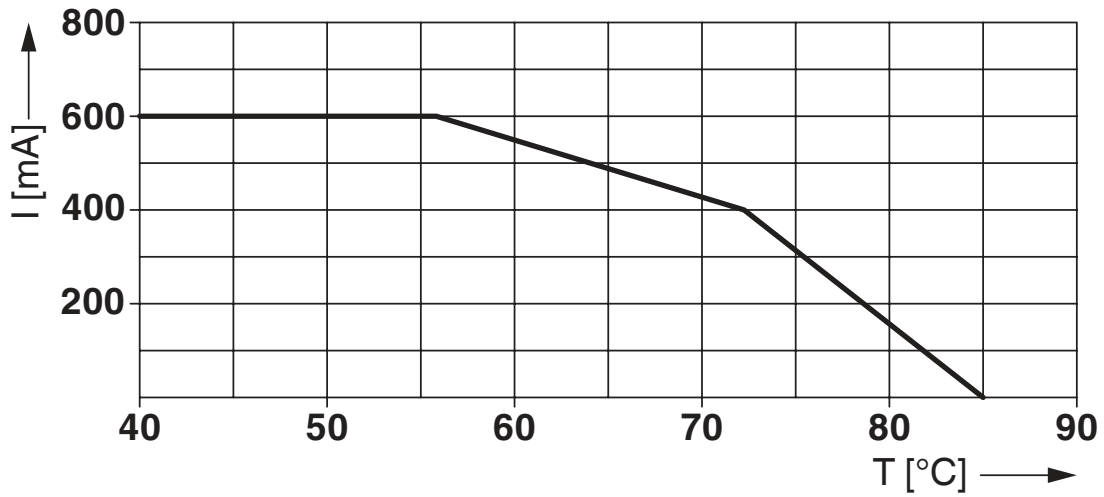
Standards/specifications	EN 61643-21
Note	2001 + A1:2009 + A2:2013
Standards/specifications	IEC 60079-0
Note	2017
Standards/specifications	IEC 60079-7
Note	2017
Standards/specifications	EN IEC 60079-0
Note	2018
Standards/specifications	EN IEC 60079-7
Note	2015 + A1:2018

Mounting

Mounting type	DIN rail: TH 35 - 7.5 mm
---------------	--------------------------

Drawings

Diagram

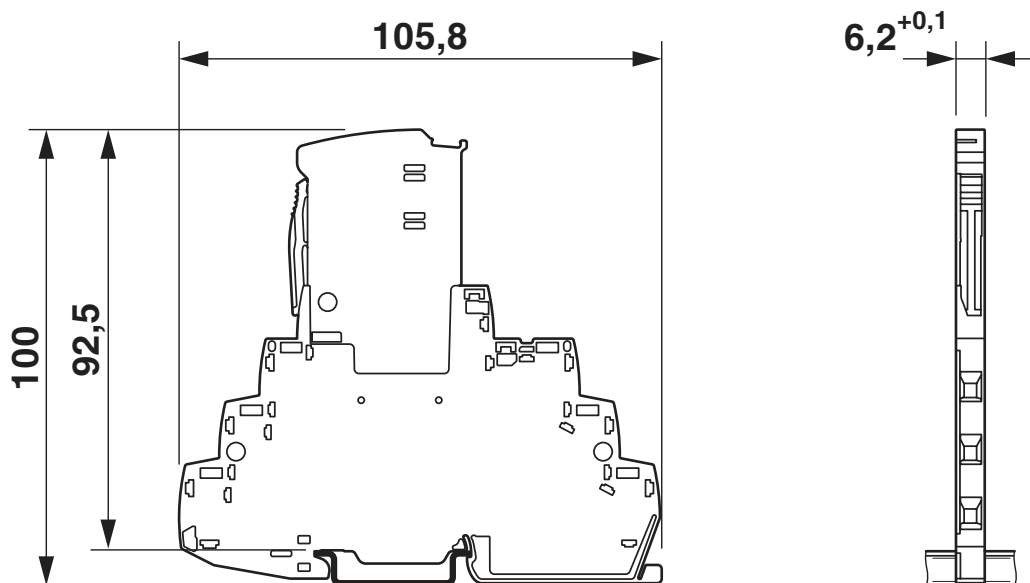


Diagram

Derating for Ex-areas (Zone 2, EX ec)

ϑ [°C]	I [mA]
$\leq 30^{\circ}\text{C}$	600 mA
$> 30^{\circ}\text{C} \dots \leq 50^{\circ}\text{C}$	500 mA
$> 50^{\circ}\text{C} \dots \leq 70^{\circ}\text{C}$	400 mA

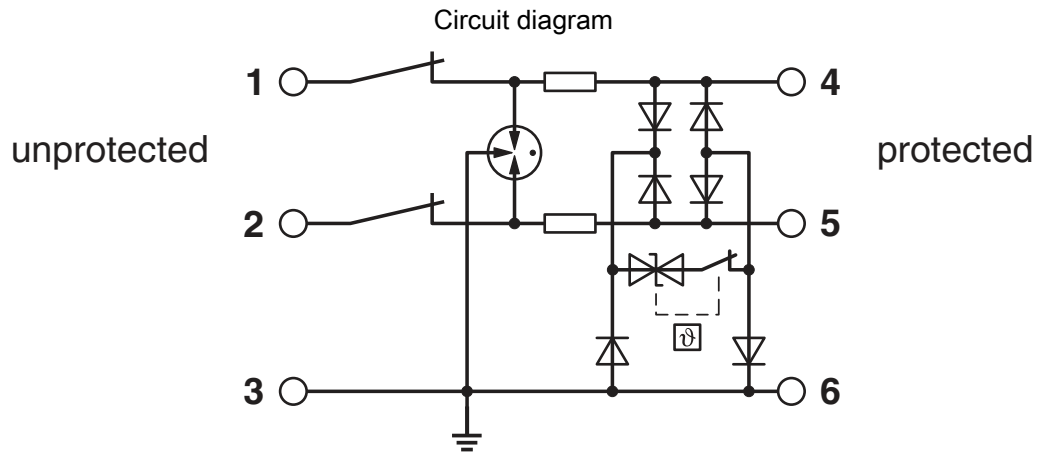
Dimensional drawing



TTC-6P-3-HF-M-12DC-UT-I - Surge protection device

2906744

<https://www.phoenixcontact.com/us/products/2906744>



2906744

<https://www.phoenixcontact.com/us/products/2906744>

Approvals

To download certificates, visit the product detail page: <https://www.phoenixcontact.com/us/products/2906744>



CSA

Approval ID: 70136717



DNV GL

Approval ID: TAE000027G



UL Listed

Approval ID: FILE E 138168



CSAus

Approval ID: 70136717

UAE-RoHS

Approval ID: 22-06-16783



IECEX

Approval ID: IECEX BVS 21.0057X



ATEX

Approval ID: BVS 21 ATEX E 052 X



CCC

Approval ID: 2022122304116080

cCSAus

TTC-6P-3-HF-M-12DC-UT-I - Surge protection device



2906744

<https://www.phoenixcontact.com/us/products/2906744>

Classifications

ECLASS

ECLASS-11.0	27130807
ECLASS-13.0	27171503

ETIM

ETIM 8.0	EC000943
----------	----------

UNSPSC

UNSPSC 21.0	39121600
-------------	----------

TTC-6P-3-HF-M-12DC-UT-I - Surge protection device



2906744

<https://www.phoenixcontact.com/us/products/2906744>

Environmental product compliance

REACH SVHC	Lead 7439-92-1
China RoHS	Environmentally Friendly Use Period = 50 years
	For information on hazardous substances, refer to the manufacturer's declaration available under "Downloads"

2906744

<https://www.phoenixcontact.com/us/products/2906744>

Accessories

X-PEN 0,35 - Marker pen

0811228

<https://www.phoenixcontact.com/us/products/0811228>



Marker pen without ink cartridge, for manual labeling of markers, labeling extremely wipe-proof, line thickness 0.35 mm

ZBF 6 CUS - Zack Marker strip, flat

0825027

<https://www.phoenixcontact.com/us/products/0825027>



Zack Marker strip, flat, Strip, can be ordered: Strip, white, labeled according to customer specifications, mounting type: snap into flat marker groove, for terminal block width: 6.2 mm, lettering field size: 5.15 x 6.15 mm, Number of individual labels: 10

2906744

<https://www.phoenixcontact.com/us/products/2906744>

ZBF 6:UNBEDRUCKT - Zack Marker strip, flat

0808710

<https://www.phoenixcontact.com/us/products/0808710>



Zack Marker strip, flat, Strip, white, unlabeled, can be labeled with: PLOTMARK, CMS-P1-PLOTTER, mounting type: snapped, for terminal block width: 6.2 mm, lettering field size: 5.15 x 6.15 mm, Number of individual labels: 10

ZBF 6/WH-100:UNBEDRUCKT - Zack Marker strip, flat

0808736

<https://www.phoenixcontact.com/us/products/0808736>



Zack Marker strip, flat, Strip, white, unlabeled, can be labeled with: PLOTMARK, CMS-P1-PLOTTER, mounting type: snapped, for terminal block width: 6.2 mm, lettering field size: 5.15 x 6.15 mm, Number of individual labels: 1000

TTC-6P-3-HF-M-12DC-UT-I - Surge protection device



2906744

<https://www.phoenixcontact.com/us/products/2906744>

ZBF 6,QR:FORTL.ZAHLEN - Zack Marker strip, flat

0808765

<https://www.phoenixcontact.com/us/products/0808765>



Zack Marker strip, flat, Strip, white, labeled, Printed vertically: consecutive numbers 1 ... 10, 11 ... 20, etc. up to 91 ... 100, mounting type: snapped, for terminal block width: 6.2 mm, lettering field size: 5.15 x 6.15 mm, Number of individual labels: 10

CLIPFIX 35-5 - End clamp

3022276

<https://www.phoenixcontact.com/us/products/3022276>



Quick mounting end clamp for NS 35/7,5 DIN rail or NS 35/15 DIN rail, with marking option, with parking option for FBS...5, FBS...6, KSS 5, KSS 6, width: 5.15 mm, color: gray

TTC-6P-3-HF-M-12DC-UT-I - Surge protection device



2906744

<https://www.phoenixcontact.com/us/products/2906744>

TTC-6-FMRS-UT - Remote signaling set

2907810

<https://www.phoenixcontact.com/us/products/2907810>



Module set for the optical monitoring and floating remote signaling of adjacent surge protective devices in the TERMITRAB complete or CLIXTRAB product family. Suitable for directly grounded DIN rails.

TTC-6-FC-UT - Fuse holder

1054762

<https://www.phoenixcontact.com/us/products/1054762>



Fuse carrier for surge protective devices of the TERMITRAB complete product range with screw connection technology. Multi-level connection on TTC-6 housings possible. For conventional 5x20 mm miniature fuses.

TTC-6P-3-HF-M-12DC-UT-I - Surge protection device



2906744

<https://www.phoenixcontact.com/us/products/2906744>

SSA 3-6 - Shield connection

2839295

<https://www.phoenixcontact.com/us/products/2839295>

Shield fast connection for 3 ... 6 mm cable diameter. Potential connecting cable:
200 mm, 1 mm², color: black



SSA 5-10 - Shield connection

2839512

<https://www.phoenixcontact.com/us/products/2839512>

Shield fast connection for 5 ... 10 mm cable diameter. Potential connecting cable:
200 mm, 1 mm², color: black



TTC-6P-3-HF-M-12DC-UT-I - Surge protection device



2906744

<https://www.phoenixcontact.com/us/products/2906744>

TTC-6P-3-HF-12DC-I-P - Surge protection plug

2907846

<https://www.phoenixcontact.com/us/products/2907846>



Surge protection plug with integrated status indicator on the module for three signal wires. For HF applications. Nominal voltage: 12 V DC

Phoenix Contact 2023 © - all rights reserved

<https://www.phoenixcontact.com>

Phoenix Contact USA
586 Fulling Mill Road
Middletown, PA 17057, United States
(+717) 944-1300
info@phoenixcon.com