

368087-1 ✓ ACTIVE

Multilock Connector System

TE Internal #: 368087-1

Automotive Terminals, Tab, Mating Tab Width 2.3 mm [.09 in], Tab Thickness .64 mm [.025 in], 18 – 16 AWG Wire Size, Multilock Connector System

[View on TE.com >](#)



Terminals & Splices > Automotive Terminals > MULTILOCK, RECEPTACLE AND TAB



Terminal Type: **Tab**

Mating Tab Width: **2.3 mm [.09 in]**

Mating Tab Thickness: **.64 mm [.025 in]**

Terminal Transmits: **0 – 24 A (Low Power)**

Wire Size: **18 – 16 AWG**

[All MULTILOCK, RECEPTACLE AND TAB \(136\)](#)

Features

Product Type Features

Receptacle Style	180°
Sealable	No
Primary Locking Feature	Clean Body

Contact Features

Contact Size	2.3mm
Contact Fabrication	Stamped & Formed
Typical Current Rating	10 A
Crimp Type	F-Crimp
Terminal Type	Tab
Mating Tab Width	2.3 mm[.09 in]
Mating Tab Thickness	.64 mm[.025 in]
Interface Plating	Tin (Sn)



Termination Features

Termination Method to Wire & Cable	Crimp
Product Terminates To	Wire

Dimensions

Compatible Insulation Diameter Range	1.8 – 2.6 mm [.071 – .102 in]
Wire Size	.85 – 1.25 mm ²
Wire Size Search	16 AWG, 17 AWG, 18 AWG

Usage Conditions

Insulation Option	Uninsulated
Operating Temperature (Max)	70 °C, 75 °C, 80 °C [158 °F][167 °F][176 °F]
Operating Temperature Range	-40 – 80 °C [-40 – 176 °F]

Operation/Application

Compatible With Wire Base Material	Copper
------------------------------------	--------

Industry Standards

Agency/Standard	OEM
-----------------	-----

Packaging Features

Packaging Quantity	4500
Packaging Method	Reel

Other

Terminal Transmits	0 – 24 A (Low Power)
--------------------	----------------------

Product Compliance

For compliance documentation, visit the product page on [TE.com](https://www.te.com)>

EU RoHS Directive 2011/65/EU	Compliant
EU ELV Directive 2000/53/EC	Compliant
China RoHS 2 Directive MIIT Order No 32, 2016	No Restricted Materials Above Threshold
EU REACH Regulation (EC) No. 1907/2006	Current ECHA Candidate List: JUNE 2023 (235) Candidate List Declared Against: JUNE 2023 (235) Does not contain REACH SVHC
Halogen Content	Low Halogen - Br, Cl, F, I < 900 ppm per homogenous material. Also BFR/CFR/PVC Free

Solder Process Capability

Not applicable for solder process capability

Product Compliance Disclaimer

This information is provided based on reasonable inquiry of our suppliers and represents our current actual knowledge based on the information they provided. This information is subject to change. The part numbers that TE has identified as EU RoHS compliant have a maximum concentration of 0.1% by weight in homogenous materials for lead, hexavalent chromium, mercury, PBB, PBDE, DBP, BBP, DEHP, DIBP, and 0.01% for cadmium, or qualify for an exemption to these limits as defined in the Annexes of Directive 2011/65/EU (RoHS2). Finished electrical and electronic equipment products will be CE marked as required by Directive 2011/65/EU. Components may not be CE marked. Additionally, the part numbers that TE has identified as EU ELV compliant have a maximum concentration of 0.1% by weight in homogenous materials for lead, hexavalent chromium, and mercury, and 0.01% for cadmium, or qualify for an exemption to these limits as defined in the Annexes of Directive 2000/53/EC (ELV). Regarding the REACH Regulation, the information TE provides on SVHC in articles for this part number is based on the latest European Chemicals Agency (ECHA) 'Guidance on requirements for substances in articles' posted at this URL: <https://echa.europa.eu/guidance-documents/guidance-on-reach>

Compatible Parts



TE Part # 2305570-1
Strip Terminal Cutter-Side Feed-No Crimp



TE Part # CAT-M9194-CH8172
MULTILOCK, CONNECTOR HOUSING



TE Part # 2-2151256-1
OCEAN_2.0_Applicator-S-090F120F



TE Part # 2-2151256-2
OCEAN_2.0_Applicator-S-090F120F



TE Part # 2151256-1
OCEAN_2.0_Applicator-S-090F120F



TE Part # 2151256-2
OCEAN_2.0_Applicator-S-090F120F



TE Part # 7-2151256-1
OCEAN_2.0_Applicator-S-090F120F



TE Part # 7-2151256-2
OCEAN_2.0_Applicator-S-090F120F



TE Part # 7-2151256-7
OCEAN_2.0_SPARE_PART_KIT-090F120F



TE Part # 1-368084-1
090II N-SLD REC(SQ1.25) GOLD



TE Part # 1-368169-1
090 MLC 2P CAP HSG



TE Part # 2005074-1
090III 22P CAP ASSY

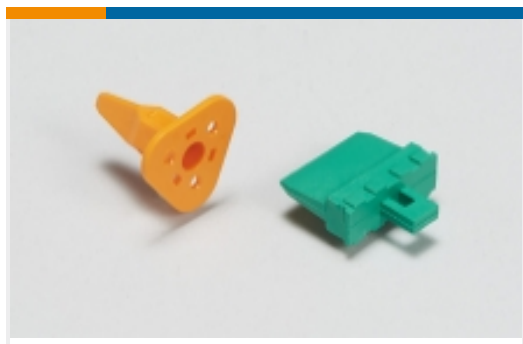
Also in the Series | **Multilock Connector System**



Automotive Connector Caps & Covers (17)



Automotive Connector EMC Shielding (1)



Automotive Connector Locks & Position Assurance(2)



Automotive Housings(603)



Automotive Terminals(141)



Connector Seals & Cavity Plugs(2)



Insertion & Extraction Tools(6)



Other Automotive Connector Accessories(14)



PCB Headers & Receptacles(142)

Customers Also Bought



TE Part #936211-1
MULTILOCK, CONNECTOR HOUSING



TE Part #2005154-1
025 TAB CONTACT(S)



TE Part #2109006-2
MULTILOCK, RECEPTACLE AND TAB



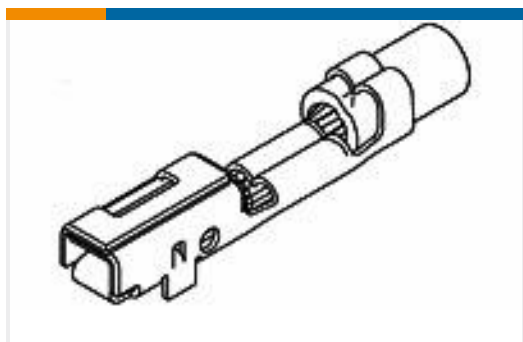
TE Part #2005098-1
025 TAB CONTACT(SS)



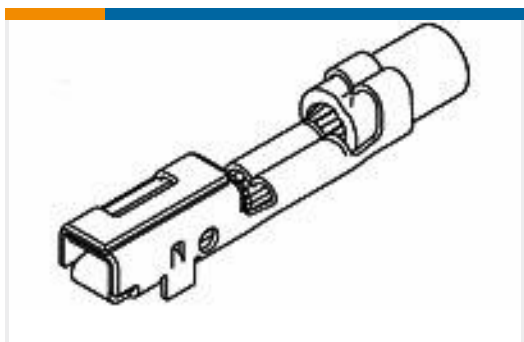
TE Part #2005431-1
025/090 HYB 34P PLUG ASSY



TE Part #2005434-1
025/090 HYB 34P CAP ASSY



TE Part #368083-1
090II NON SLD REC(SQ.2.0)



TE Part #368084-1
090II NON SLD REC(SQ0.85-1.25)

Documents



Product Drawings

[090II NON SLD TAB\(SQ0.85-1.25\)](#)

English

CAD Files

Customer View Model

[ENG_CVM_CVM_368087-1_H.2d_dxf.zip](#)

English

3D PDF

3D

Customer View Model

[ENG_CVM_CVM_368087-1_H.3d_igs.zip](#)

English

Customer View Model

[ENG_CVM_CVM_368087-1_H.3d_stp.zip](#)

English

By downloading the CAD file I accept and agree to the [Terms and Conditions](#) of use.

Product Specifications

[Application Specification](#)

English