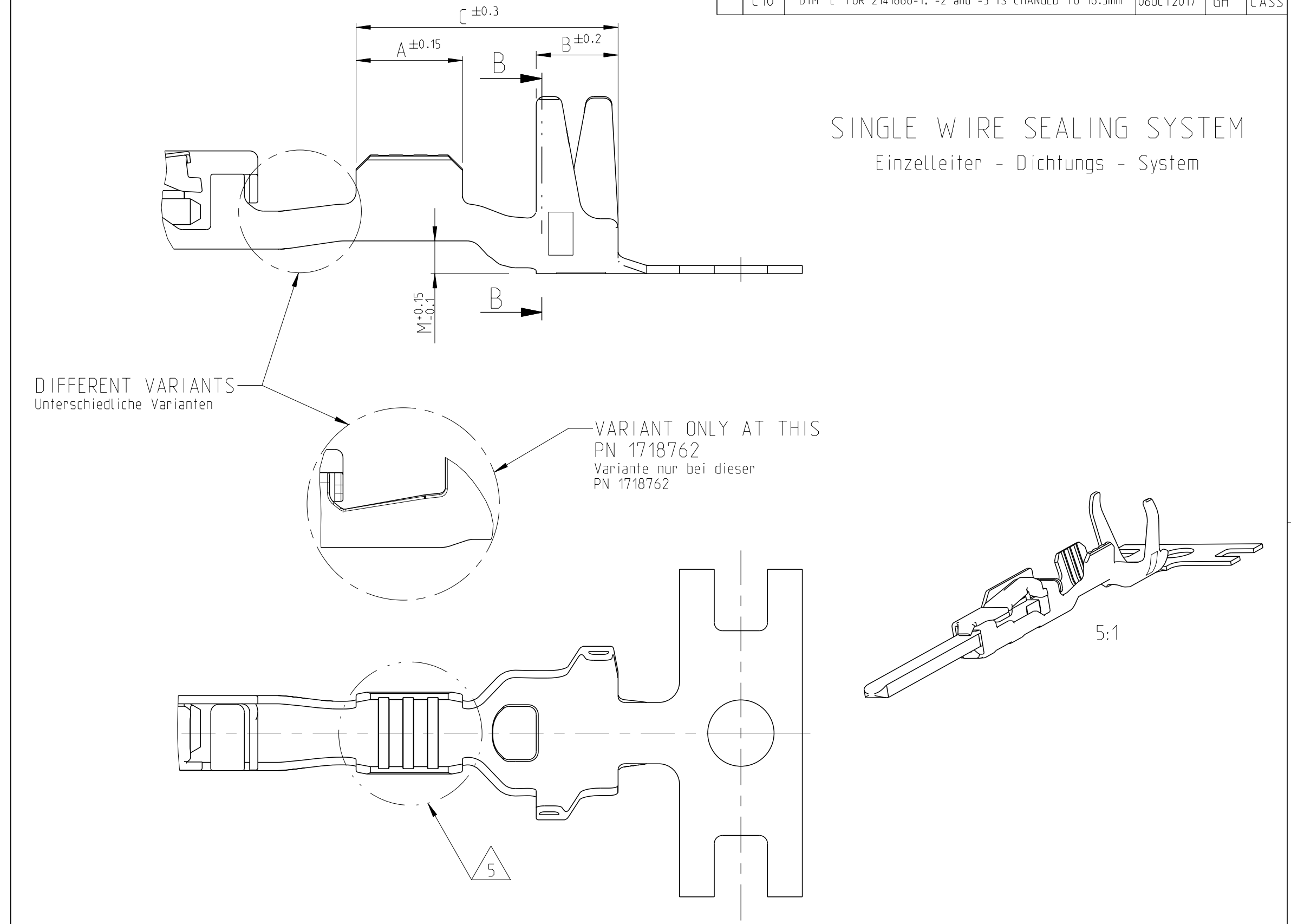
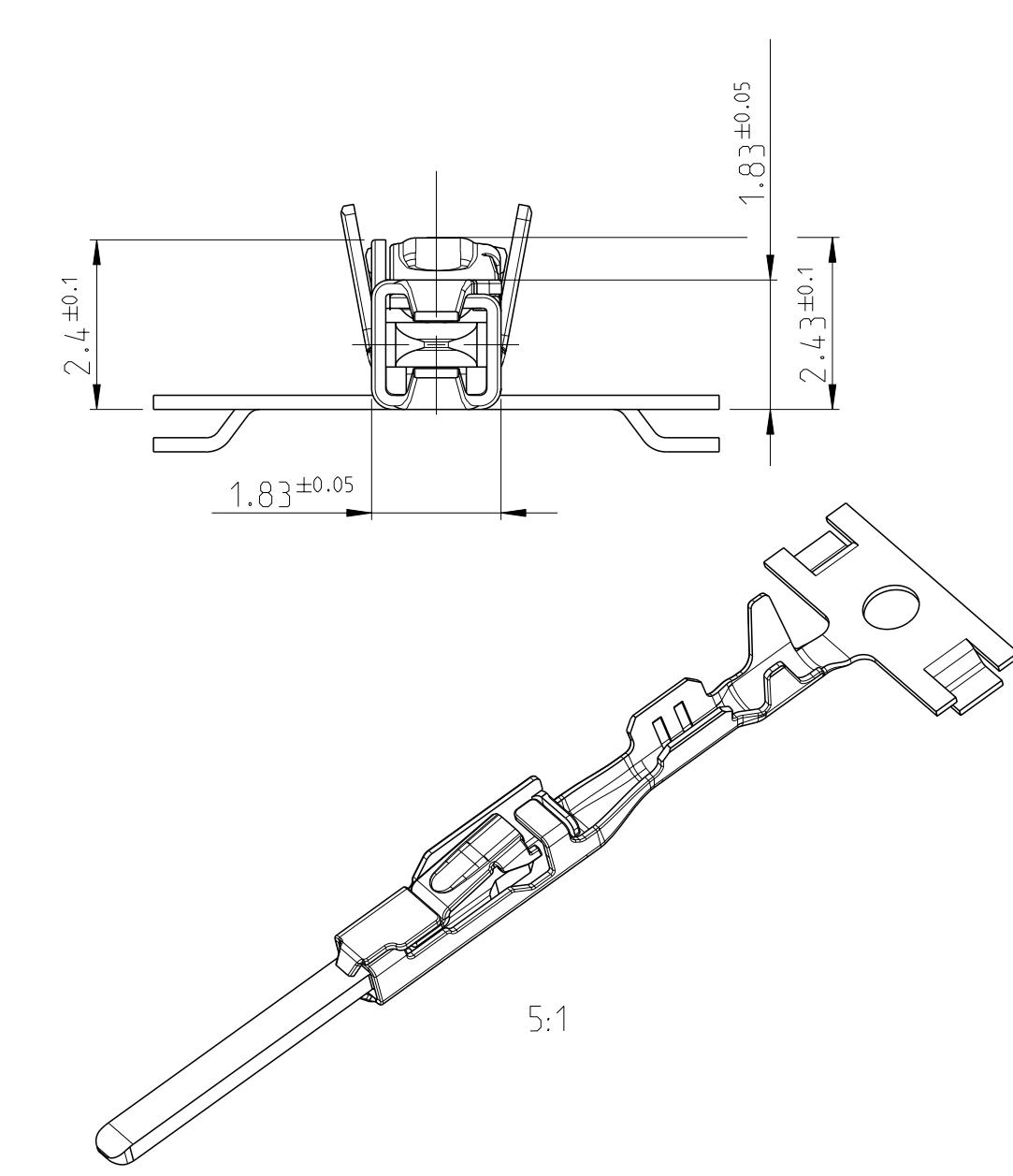
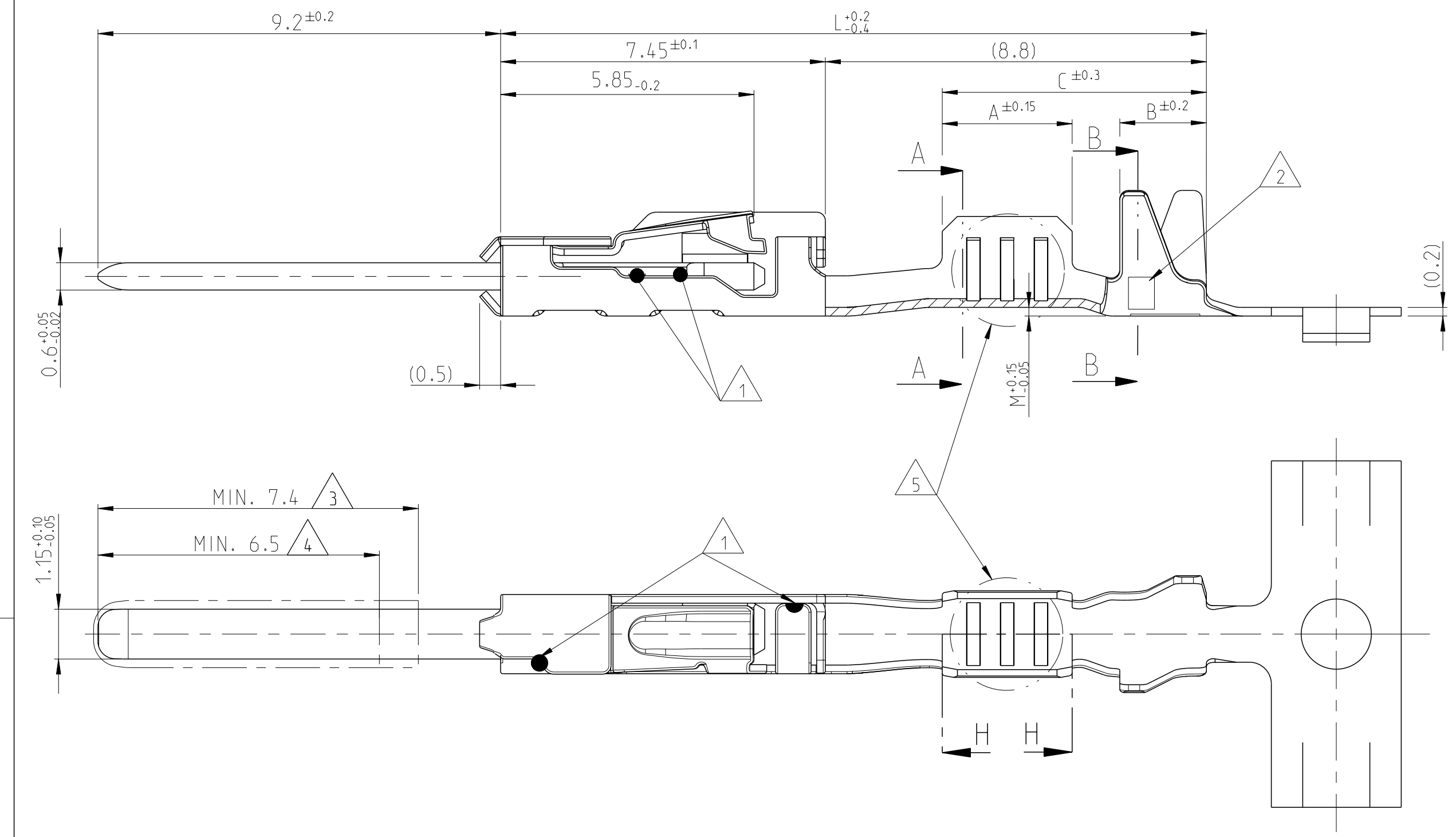


THE DRAWING SHOWS THE 2-DIMENSIONAL REFERENCE COMPONENT CONDITION OF THE ASSEMBLY TO IDENTIFY AND SPECIFY THE NECESSARY DIMENSIONS ONLY. THE DELIVERED PARTS MAY DEVIATE FROM THE DRAWING REGARDING THE ORIENTATION AND POSITION OF EACH COMPONENT (e.g. SLACK CABLE), SO FAR THE FUNCTIONALITY IS NOT CONCERNED.

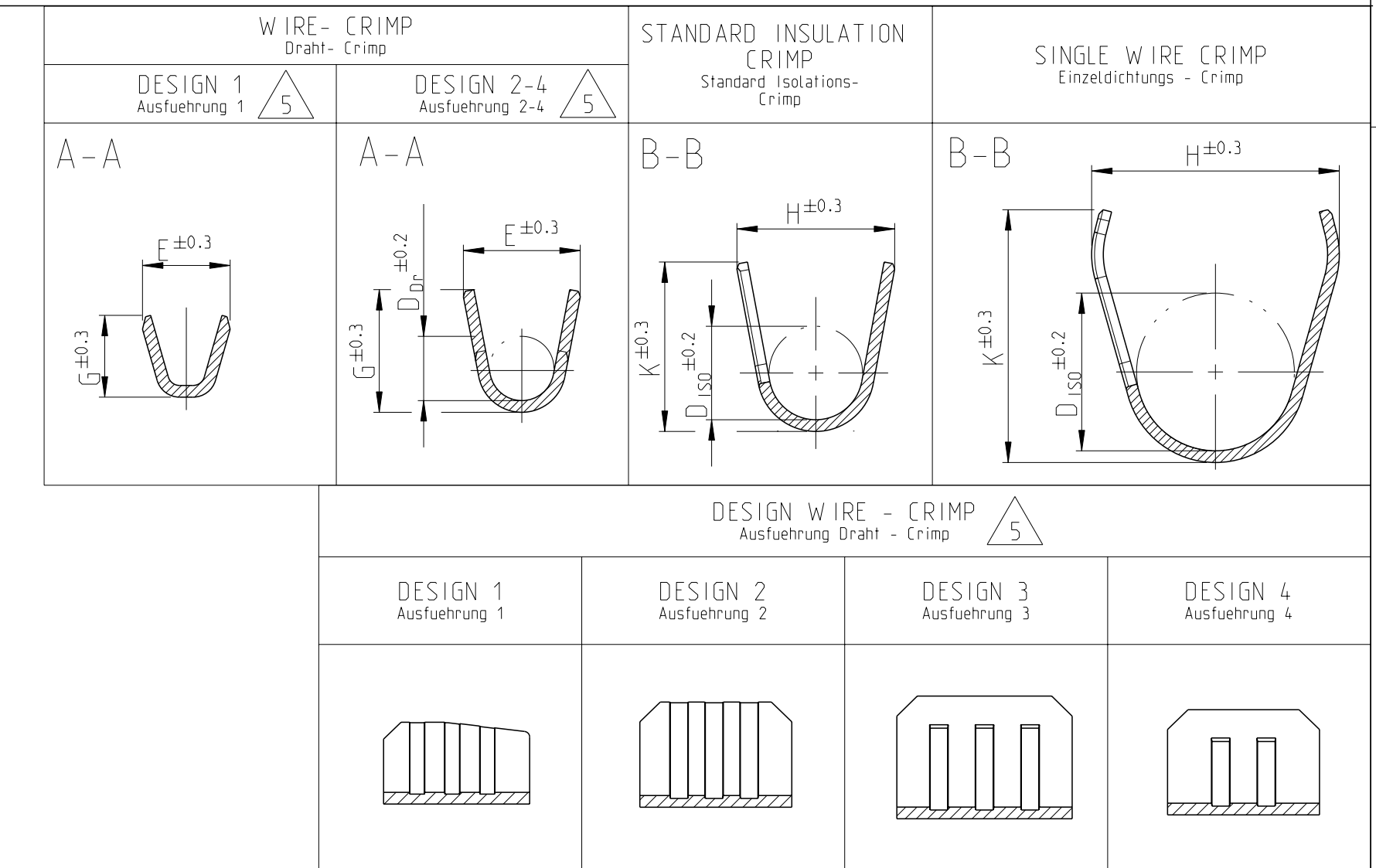
DIE ZEICHNUNG ZEIGT DEN 2-DIMENSIONALEN IDEALZUSTAND DES ZUSAMMENBAUTEILS BEZÜGLICH DER KOMPONENTEN ZUR IDENTIFIKATION UND SPEZIFIKATION DER NOTWENDIGEN DIMENSIONEN. HINSICHTLICH DER ORIENTIERUNG UND DER LAGE DER KOMPONENTEN (Z.B. BIEGESCHLAPPE KABEL) KÖNNEN DIE DELIEFERTEN TEILE VON DER ZEICHNUNG ABWEICHEN, SOFERN DIE FUNKTIONALITÄT NICHT BEEINTRÄCHTIGT IST.

LOC	DIST	REV	DATE	OWN	APPV
AI	-				
REVISIONS					
PROJECT No.	C7	ECR-13-002334, 2141864 + 2141868 ACTIVATED	06FEB2013	SG	RM
EGAUT Q2021	C8	NOTE 6 NEW, REV. ADAPT. PN 1718762-1/-2/-3	09JUL2015	Mjh.	CASS.
	C9	ECR-15-012070	22SEP2015	JBH	BK
	C10	DIM 'L' FOR 2141868-1, -2 and -3 IS CHANGED TO 16.3mm	06OC12017	GH	CASS



INSULATION CRIMP FOR Isolationscrimp	ORDER NO. Bestell-Nr. STRIP Bandware	REV	WIRE RANGE Drahtgrößenbereich (mm <sup>2</sup> )	INSULATION-Ø Isolations-Ø (mm)	BODY Kontaktkörper	TAB Flachstecker	BODY Kontaktkörper	SPRING Kontaktfeder	DESIGN WIRE-CRIMP Ausführung Draht - Crimp	LENGTH Laenge	WIRE CRIMP Drahtcrimp	INSULATION CRIMP Isolations Crimp	DIMENSION Messung (mm)	MATERIAL Werkstoff			SURFACE Oberfläche		
														BODY	TAB	BODY	SPRING	CONTACT AREA	CONTACT AREA
SINGLE WIRE SEALING SYSTEM / Einzeldichtungssystem SEE APPLICATION SPECIFICATION / siehe Verarbeitungsspezifikation	1718762-3	B	1.0 - 1.5	1.9 - 2.4	CuNiSi	CuSn0.15/0.2	TIN PLATED verzinkt	4	2	A = 3.0 B = 2.0 C = 6.8	E = 2.6 G = 2.9 D <sub>br</sub> = 1.35	H = 4.4 K = 4.3 D <sub>150</sub> = 2.9 M = 0.8	16.8	C10					
	1718762-2	C					TIN PLATED verzinkt	3											
	1718762-1	B					TIN PLATED verzinkt	4											
		1718760-3	A	0.5 - 0.75	1.4 - 1.9	CuNiSi	CuSn0.15/0.2	TIN PLATED verzinkt	4	2	A = 2.6 B = 2.0 C = 6.4	E = 2.0 G = 2.1 D <sub>br</sub> = 1.1	H = 4.2 K = 4.3 D <sub>150</sub> = 2.7 M = 0.8	16.3					
		1718760-2	B					TIN PLATED verzinkt	3										
		1718760-1	A					TIN PLATED verzinkt	4										
			1718758-3	A	0.25 - 0.35	1.1 - 1.75	CuNiSi	CuSn0.15/0.2	TIN PLATED verzinkt	4	2	A = 2.6 B = 2.0 C = 6.4	E = 1.8 G = 1.8 D <sub>br</sub> = 0.8	H = 4.2 K = 4.3 D <sub>150</sub> = 2.6 M = 0.8	16.3				
			1718758-2	B					TIN PLATED verzinkt	3									
			1718758-1	A					TIN PLATED verzinkt	4									
		2141868-3	A	0.13 - 0.22	2.6	CuNiSi	CuSn0.15/0.2	TIN PLATED verzinkt	4	1	A = 2.5 B = 1.9 C = 6.2	E = 1.5 G = 1.4	H = 4.0 K = 4.1 D <sub>150</sub> = 2.6 M = 0.6	16.3					
		2141868-2	A					TIN PLATED verzinkt	3										
		2141868-1	A					TIN PLATED verzinkt	4										
FLR CABLE / Leitung SEE APPLICATION SPECIFICATION / siehe Verarbeitungsspezifikation	1418762-3	A	1.0 - 1.5	1.9 - 2.4	CuNiSi	CuSn0.15/0.2	TIN PLATED verzinkt	4	3	A = 3.0 B = 2.0 C = 6.1	E = 2.6 G = 2.9 D <sub>br</sub> = 1.35	H = 3.7 K = 3.9 D <sub>150</sub> = 2.1 M = 0.2	16.3						
	1418762-2	B					TIN PLATED verzinkt	3											
	1418762-1	A					TIN PLATED verzinkt	4											
		5-1418760-3	A	0.5 - 0.75	1.4 - 1.9	CuNiSi	CuSn0.15/0.2	TIN PLATED verzinkt	4	2	A = 3.0 B = 2.0 C = 6.1	E = 2.0 G = 2.1 D <sub>br</sub> = 1.1	H = 2.7 K = 2.9 D <sub>150</sub> = 1.6 M = 0.2	16.3					
		5-1418760-2	A					TIN PLATED verzinkt	3										
		5-1418760-1	A					TIN PLATED verzinkt	4										
		1418760-3	B	0.5 - 0.75	1.4 - 1.9	CuNiSi	CuSn0.15/0.2	TIN PLATED verzinkt	4	3	A = 3.0 B = 2.0 C = 6.1	E = 2.0 G = 2.1 D <sub>br</sub> = 1.1	H = 2.7 K = 2.9 D <sub>150</sub> = 1.6 M = 0.2	16.3					
		1418760-2	C					TIN PLATED verzinkt	3										
		1418760-1	B					TIN PLATED verzinkt	4										
		5-1418758-3	A	0.25 - 0.35	1.1 - 1.75	CuNiSi	CuSn0.15/0.2	TIN PLATED verzinkt	4	2	A = 2.6 B = 2.0 C = 5.7	E = 1.8 G = 1.8 D <sub>br</sub> = 0.8	H = 2.6 K = 2.6 D <sub>150</sub> = 1.4 M = 0.2	16.3					
		5-1418758-2	B					TIN PLATED verzinkt	3										
		5-1418758-1	A					TIN PLATED verzinkt	4										
	1418758-3	A	0.25 - 0.35	1.1 - 1.75	CuNiSi	CuSn0.15/0.2	TIN PLATED verzinkt	4	4	A = 2.6 B = 2.0 C = 5.7	E = 1.8 G = 1.8 D <sub>br</sub> = 0.8	H = 2.6 K = 2.6 D <sub>150</sub> = 1.4 M = 0.2	16.3						
	1418758-2	B					TIN PLATED verzinkt	3											
	1418758-1	A					TIN PLATED verzinkt	4											
	2141864-3	A	0.13 - 0.22	0.85 - 1.2	CuNiSi	CuSn0.15/0.2	TIN PLATED verzinkt	4	1	A = 2.5 B = 1.7 C = 5.4	E = 1.5 G = 1.4	H = 2.0 K = 1.9 D <sub>150</sub> = 1.1	15.3						
	2141864-2	A					TIN PLATED verzinkt	3											
	2141864-1	A					TIN PLATED verzinkt	4											

C10



- 1 LASER WELDED Lasergeschweisst
- 2 REVISION STATUS Revisionsstand
- 3 CONTACT AREA TAB MIN. 0.8µm SELECTIV GOLD OVER Ni Kontaktzone selectiv vergoldet min. 0.8µm ueber Ni
- 4 CONTACT AREA TAB MIN. 2.0µm SELECTIV SILVER Kontaktzone selectiv versilbert min. 2.0µm
- 5 DIFFERENT FORM OF THE SERRATIONS AND WIRE-CRIMP POSSIBLE unterschiedliche Ausfuehrung der Ritzen und des Draht-Crimps moeglich
- 6 RELEASED WIRE, SEE APPLICATION SPEC. TE 114-18464 Freigegebene Leitung, siehe

PRODUCT CHARACTERISTICS ACC. QMP 1.12 BESONDERE MERKMALE NACH QMP 1.12	TOLERANCING ISO 8015 TOLERIERUNG ISO 8015	OWN R. Meier CHK U. Muenk	DATE 30JUL03
THIS DRAWING IS A CONTROLLED DOCUMENT. DIESER ZEICHNUNGSDRUCK IST EIN KONTROLLIERTES DOKUMENT.		NAME	PRODUCT GROUP DRAWING FOR TAB CONTACT 1.2 MM
DIMENSIONS: mm	TOLERANCES UNLESS OTHERWISE SPECIFIED:	APVD	APPLICATION SPEC
PLC ±	±0.2mm	114-18464	RESTRICTED TO
PLC ±	±0.2mm	00779	SCALE 10:1 SHEET 1 OF 1 REV C10
PLC ±	±0.2mm	Customer Drawing	