



GENERAL DESCRIPTION

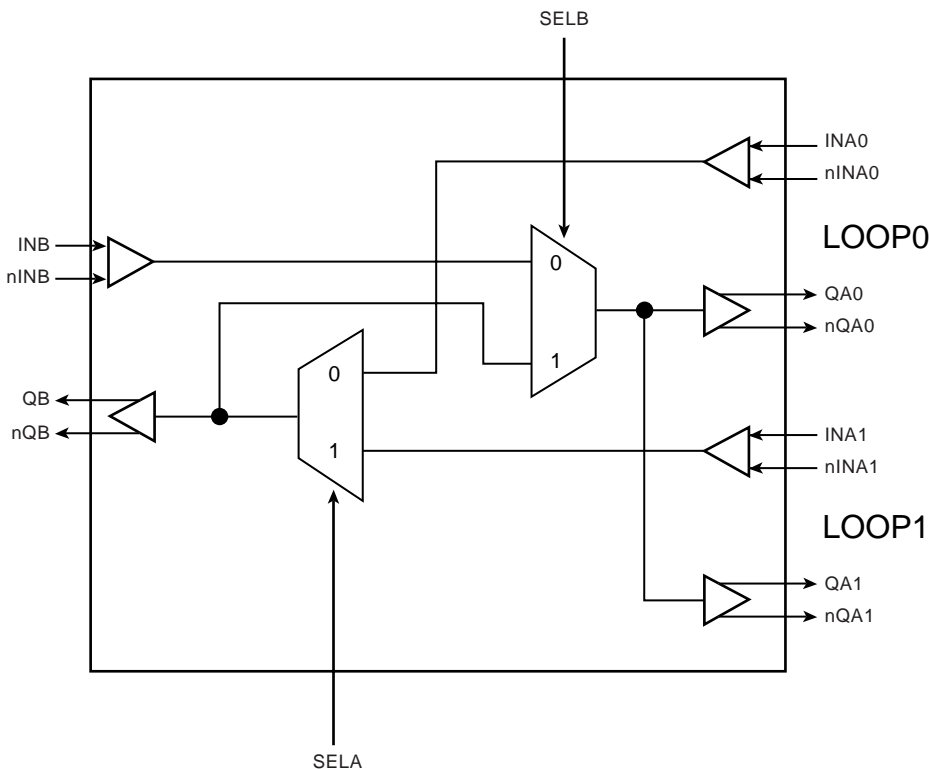
The ICS85454-01 is a 2:1/1:2 Multiplexer and a member of the HiPerClockS™ family of high performance clock solutions from ICS. The 2:1 Multiplexer allows one of 2 inputs to be selected onto one output pin and the 1:2 MUX switches one input to both of two outputs. This device may be useful for multiplexing multi-rate Ethernet PHYs which have 100Mbit and 1000Mbit transmit/receive pairs onto an optical SFP module which has a single transmit/receive pair. Another mode allows loop back testing and allows the output of a PHY transmit pair to be routed to the PHY input pair. For examples, please refer to the Application Information section of the data sheet.

The ICS85454-01 is optimized for applications requiring very high performance and has a maximum operating frequency in 2.5GHz. The device is packaged in a small, 3mm x 3mm VFQFN package, making it ideal for use on space-constrained boards.

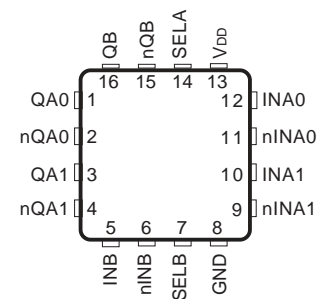
FEATURES

- Dual 2:1/1:2 MUX
- Three LVDS outputs
- Three differential inputs
- Differential inputs can accept the following differential levels: LVPECL, LVDS, CML
- Loopback test mode available
- Maximum output frequency: 2.5GHz
- Part-to-part skew: 250ps (maximum)
- Additive phase jitter, RMS: 0.05ps (typical)
- Propagation delay: 550ps (maximum)
- 2.5V operating supply
- -40°C to 85°C ambient operating temperature
- Available in both standard and lead-free RoHS compliant packages

BLOCK DIAGRAM



PIN ASSIGNMENT



ICS85454-01
16-Lead VFQFN
3mm x 3mm x 0.95 package body
K Package
Top View



TABLE 1. PIN DESCRIPTIONS

Number	Name	Type		Description
1, 2	QA0, nQA0	Output		Differential output pair. LVDS interface levels.
3, 4	QA1, nQA1	Output		Differential output pair. LVDS interface levels.
5	INB	Input	Pulldown	Non-inverting differential clock input.
6	nINB	Input	Pullup/ Pulldown	Inverting differential clock input. $V_{DD}/2$ default when left floating.
7	SELB	Input	Pulldown	Select pin for QAx outputs. When HIGH, selects same inputs used for QB output. When LOW, selects INB input. LVCMOS/LVTTL interface levels.
8	GND	Power		Power supply ground.
9	nINA1	Input	Pullup/ Pulldown	Inverting differential clock input. $V_{DD}/2$ default when left floating.
10	INA1	Input	Pulldown	Non-inverting differential clock input.
11	nINA0	Input	Pullup/ Pulldown	Inverting differential clock input. $V_{DD}/2$ default when left floating.
12	INA0	Input	Pulldown	Non-inverting differential clock input.
13	V_{DD}	Power		Positive supply pin.
14	SELA	Input	Pulldown	Select pin for QB outputs. When HIGH, selects INA1 input. When LOW, selects INA0 input. LVCMOS/LVTTL interface levels.
15, 16	nQB, QB	Output		Differential output pair. LVDS interface levels.

NOTE: *Pulldown* and *Pullup* refer to internal input resistors. See Table 2, Pin Characteristics, for typical values.

TABLE 2. PIN CHARACTERISTICS

Symbol	Parameter	Test Conditions	Minimum	Typical	Maximum	Units
$R_{PULDDOWN}$	Input Pulldown Resistor			37.5		$k\Omega$
R_{PULLUP}	Input Pullup Resistor			37.5		$k\Omega$

TABLE 3. INPUT CONTROL FUNCTION TABLE

Control Inputs		Mode
SELA	SELB	
0	0	LOOP0 selected
1	0	LOOP1 selected
0	1	Loopback mode: LOOP0
1	1	Loopback mode: LOOP1



ABSOLUTE MAXIMUM RATINGS

Supply Voltage, V_{DD}	4.6V
Inputs, V_I	-0.5V to $V_{DD} + 0.5V$
Outputs, I_O	
Continuous Current	10mA
Surge Current	15mA
Operating Temperature Range, T_A	-40°C to +85°C
Storage Temperature, T_{STG}	-65°C to 150°C
Package Thermal Impedance, θ_{JA} (Junction-to-Ambient)	51.5°C/W (0 lfpm)

NOTE: Stresses beyond those listed under Absolute Maximum Ratings may cause permanent damage to the device. These ratings are stress specifications only. Functional operation of product at these conditions or any conditions beyond those listed in the *DC Characteristics* or *AC Characteristics* is not implied. Exposure to absolute maximum rating conditions for extended periods may affect product reliability.

TABLE 4A. POWER SUPPLY DC CHARACTERISTICS, $V_{DD} = 2.5V \pm 5\%$

Symbol	Parameter	Test Conditions	Minimum	Typical	Maximum	Units
V_{DD}	Positive Supply Voltage		2.375	2.5	2.625	V
I_{DD}	Power Supply Current				90	mA

TABLE 4B. LVCMOS / LVTTTL DC CHARACTERISTICS, $V_{DD} = 2.5V \pm 5\%$

Symbol	Parameter	Test Conditions	Minimum	Typical	Maximum	Units
V_{IH}	Input High Voltage		1.7		$V_{DD} + 0.3$	V
V_{IL}	Input Low Voltage		0		0.7	V
I_{IH}	Input High Current	SELA, SELB $V_{DD} = V_{IN} = 2.625V$			150	μA
I_{IL}	Input Low Current	SELA, SELB $V_{DD} = 2.625V, V_{IN} = 0V$	-150			μA

TABLE 4C. DIFFERENTIAL DC CHARACTERISTICS, $V_{DD} = 2.5V \pm 5\%$

Symbol	Parameter	-40°C			25°C			85°C			Units
		Min	Typ	Max	Min	Typ	Max	Min	Typ	Max	
I_{IH}	Input High Current			150			150			150	μA
I_{IL}	Input Low Current	-150			-150			-150			μA
V_{PP}	Peak-to-Peak Input Voltage	0.15		1.2	0.15		1.2	0.15		1.2	V
V_{CMR}	Common Mode Input Voltage; NOTE 1, 2	1.2		V_{DD}	1.2		V_{DD}	1.2		V_{DD}	V

NOTE 1: Common mode input voltage is defined as V_{IH} .

NOTE 2: For single ended applications, the maximum input voltage for INAx, nINAx and INB, nINB is $V_{DD} + 0.3V$.



TABLE 4D. LVDS DC CHARACTERISTICS, $V_{DD} = 2.5V \pm 5\%$

Symbol	Parameter	-40°C			25°C			85°C			Units
		Min	Typ	Max	Min	Typ	Max	Min	Typ	Max	
V_{OD}	Differential Output Voltage	250	350	450	250	350	450	250	350	450	mV
ΔV_{OD}	V_{OD} Magnitude Change			30			30			30	mV
V_{OS}	Offset Voltage	0.93	1.18	1.43	0.97	1.22	1.47	1.02	1.27	1.52	V
ΔV_{OS}	V_{OS} Magnitude Change			10			10			10	mV

NOTE 1: Refer to Parameter Measurement Information, "2.5V Output Load Test Circuit" diagram.

TABLE 5. AC CHARACTERISTICS, $V_{DD} = 2.375V$ TO $2.625V$

Symbol	Parameter	Conditions	Minimum	Typical	Maximum	Units
f_{MAX}	Output Frequency				2.5	GHz
t_{PD}	Propagation Delay; NOTE 1	INAx to QB or INB to QAx	250		550	ps
		INAx to QAx	300		650	ps
$tsk(pp)$	Part-to-Part Skew; NOTE 2, 3			250		ps
f_{jit}	Buffer Additive Phase Jitter, RMS; refer to Additive Phase Jitter section	$f = 622.08MHz$, 12kHz - 20MHz		0.05		ps
$MUX_{ISOLATION}$	MUX Isolation	@ 500MHz output		55		dB
t_R/t_F	Output Rise/Fall Time	20% to 80%	50		250	ps

All parameters are measured $\leq 1.7GHz$ unless otherwise noted.

NOTE 1: Measured from the differential input crossing point to the differential output crossing point.

NOTE 2: Defined as skew between outputs on different devices operating at the same supply voltages and with equal load conditions. Using the same type of inputs on each device, the outputs are measured at the differential cross points.

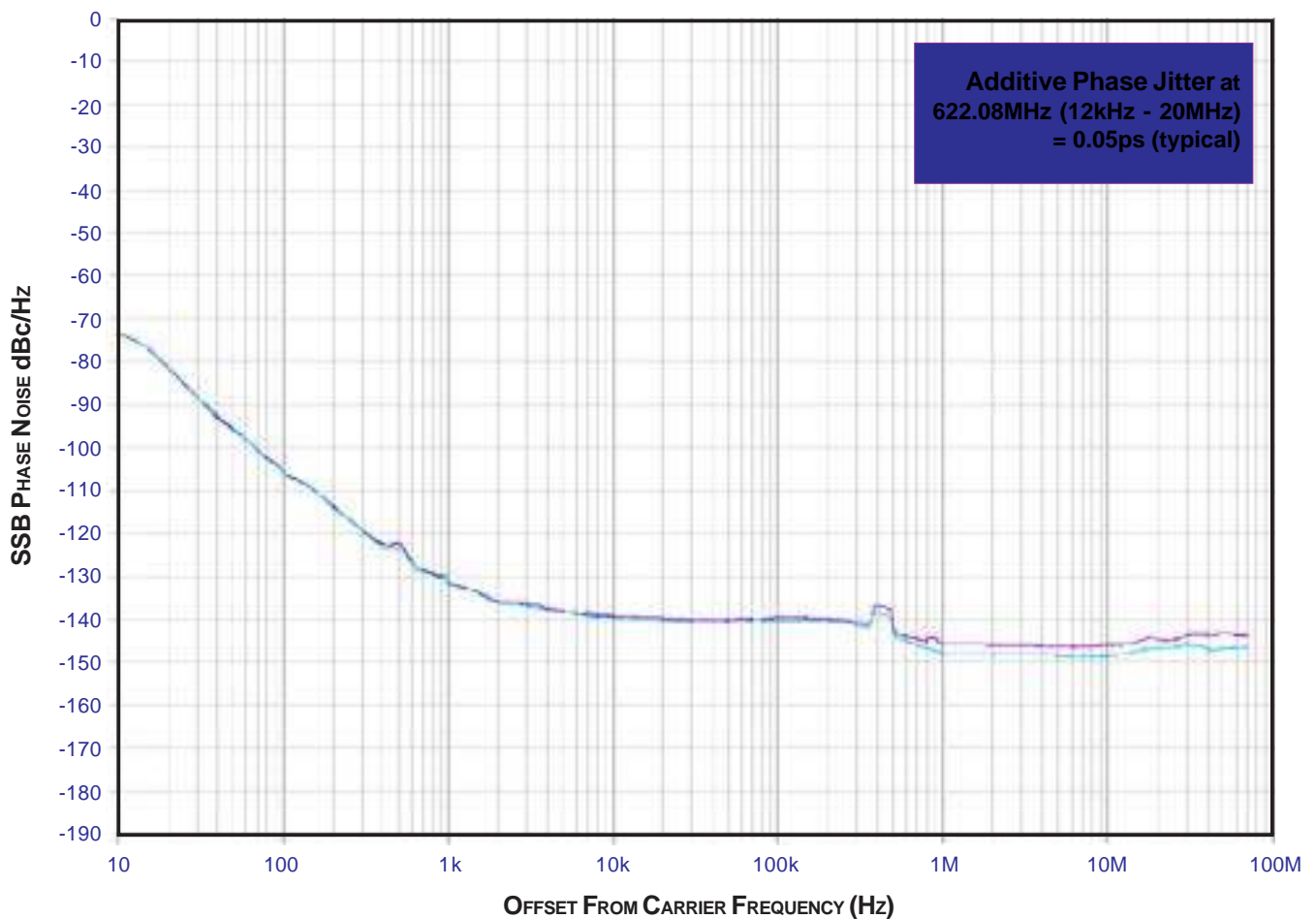
NOTE 3: This parameter is defined in accordance with JEDEC Standard 65.



ADDITIVE PHASE JITTER

The spectral purity in a band at a specific offset from the fundamental compared to the power of the fundamental is called the **dBc Phase Noise**. This value is normally expressed using a Phase noise plot and is most often the specified plot in many applications. Phase noise is defined as the ratio of the noise power present in a 1Hz band at a specified offset from the fundamental frequency to the power value of the fundamental. This ratio is expressed in decibels (dBm) or a

ratio of the power in the 1Hz band to the power in the fundamental. When the required offset is specified, the phase noise is called a **dBc** value, which simply means dBm at a specified offset from the fundamental. By investigating jitter in the frequency domain, we get a better understanding of its effects on the desired application over the entire time record of the signal. It is mathematically possible to calculate an expected bit error rate given a phase noise plot.

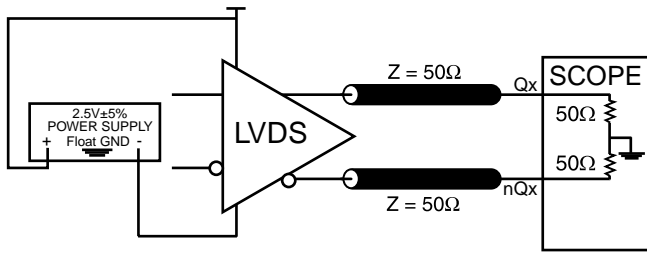


As with most timing specifications, phase noise measurements have issues. The primary issue relates to the limitations of the equipment. Often the noise floor of the equipment is higher than the noise floor of the device. This is illustrated

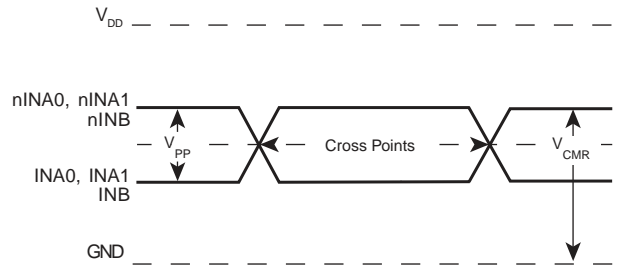
above. The device meets the noise floor of what is shown, but can actually be lower. The phase noise is dependant on the input source and measurement equipment.



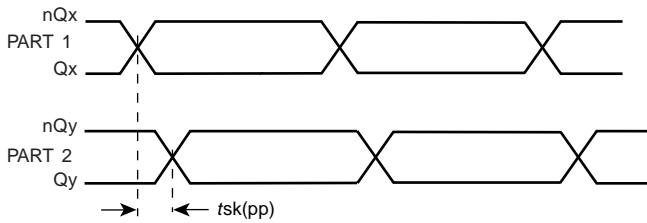
PARAMETER MEASUREMENT INFORMATION



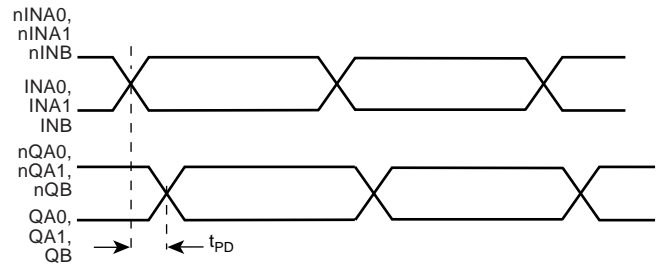
OUTPUT LOAD AC TEST CIRCUIT



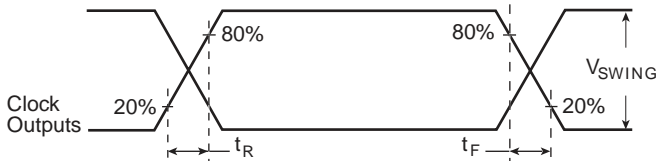
DIFFERENTIAL INPUT LEVEL



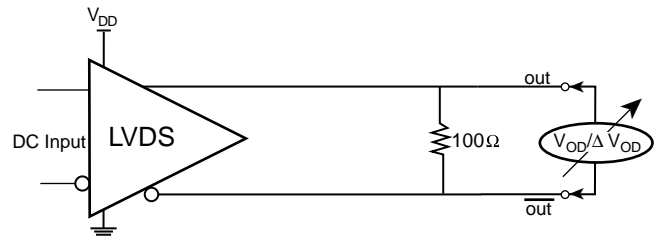
PART-TO-PART SKEW



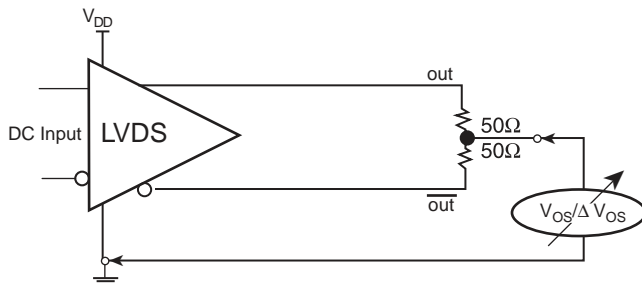
PROPAGATION DELAY



OUTPUT RISE/FALL TIME



DIFFERENTIAL OUTPUT VOLTAGE



OFFSET VOLTAGE SETUP

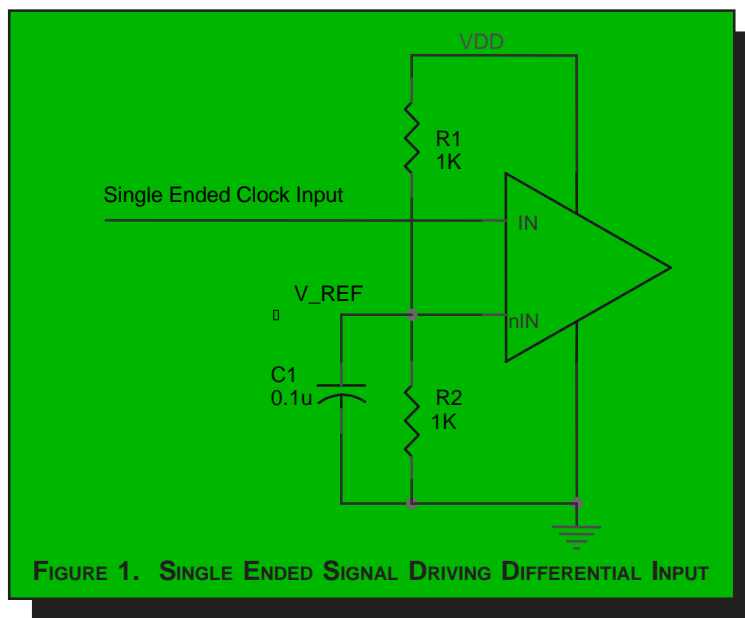


APPLICATION INFORMATION

WIRING THE DIFFERENTIAL INPUT TO ACCEPT SINGLE ENDED LEVELS

Figure 1 shows how the differential input can be wired to accept single ended levels. The reference voltage $V_{REF} = V_{DD}/2$ is generated by the bias resistors R1, R2 and C1. This bias circuit

should be located as close as possible to the input pin. The ratio of R1 and R2 might need to be adjusted to position the V_{REF} in the center of the input voltage swing.



RECOMMENDATIONS FOR UNUSED INPUT AND OUTPUT PINS

INPUTS:

IN/nIN INPUT:

For applications not requiring the use of the differential input, both IN and nIN can be left floating. Though not required, but for additional protection, a 1kΩ resistor can be tied from IN to ground.

LVC MOS CONTROL PINS:

All control pins have internal pull-ups or pull-downs; additional resistance is not required but can be added for additional protection. A 1kΩ resistor can be used.

OUTPUTS:

LVDS

All unused LVDS output pairs can be either left floating or terminated with 100Ω across. If they are left floating, we recommend that there is no trace attached.



DIFFERENTIAL CLOCK INPUT INTERFACE

The IN/nIN accepts LVPECL, CML, SSTL and other differential signals. Both V_{SWING} and V_{OH} must meet the V_{PP} and V_{CMR} input requirements. *Figures 2A to 2D* show interface examples for the HiPerClockS IN/nIN input driven by the most common driver types. The input interfaces suggested here

are examples only. If the driver is from another vendor, use their termination recommendation. Please consult with the vendor of the driver component to confirm the driver termination requirements.

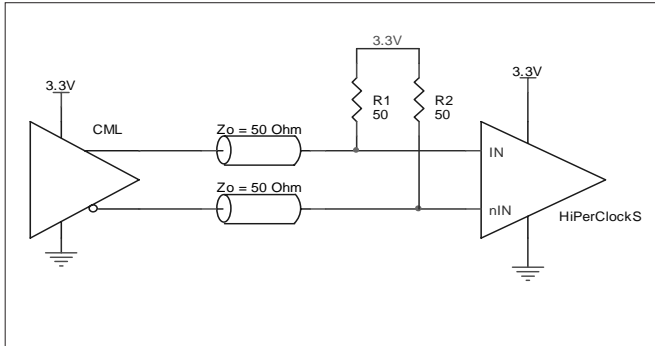


FIGURE 2A. HiPerClockS IN/nIN INPUT DRIVEN BY AN OPEN COLLECTOR CML DRIVER

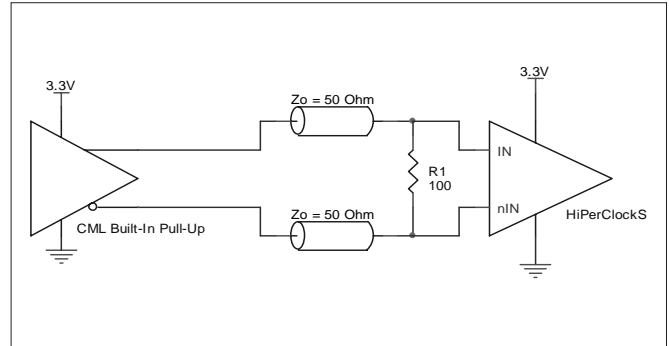


FIGURE 2B. HiPerClockS IN/nIN INPUT DRIVEN BY A BUILT-IN PULLUP CML DRIVER

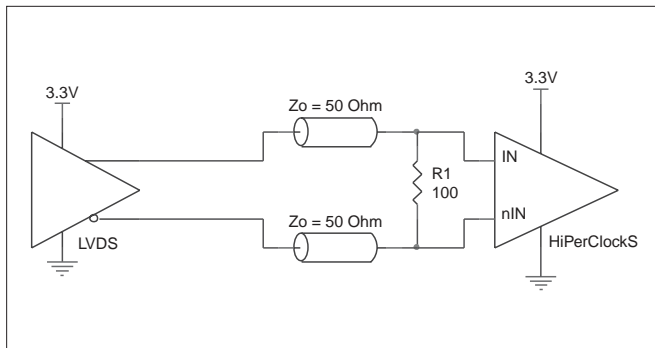


FIGURE 2C. HiPerClockS IN/nIN INPUT DRIVEN BY A 3.3V LVPECL DRIVER

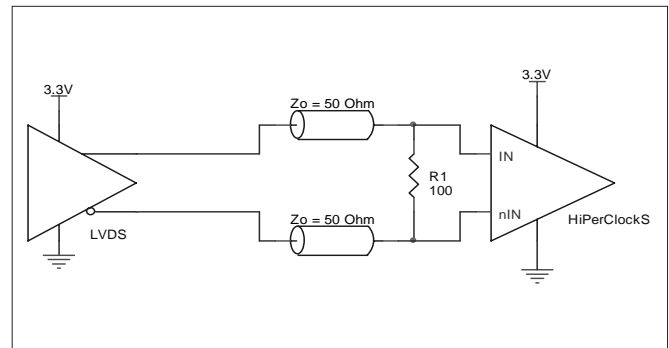
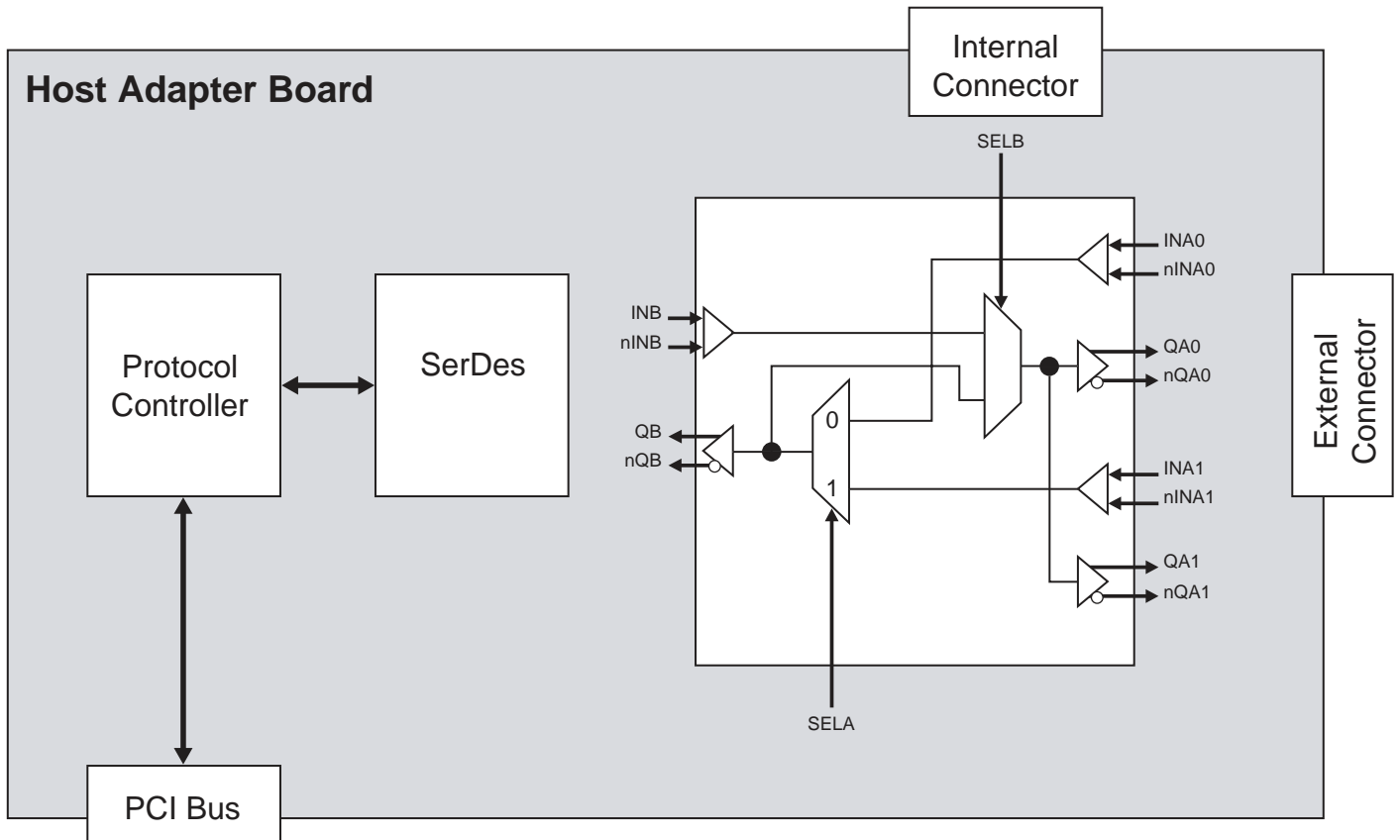


FIGURE 2D. HiPerClockS IN/nIN INPUT DRIVEN BY A 3.3V LVDS DRIVER

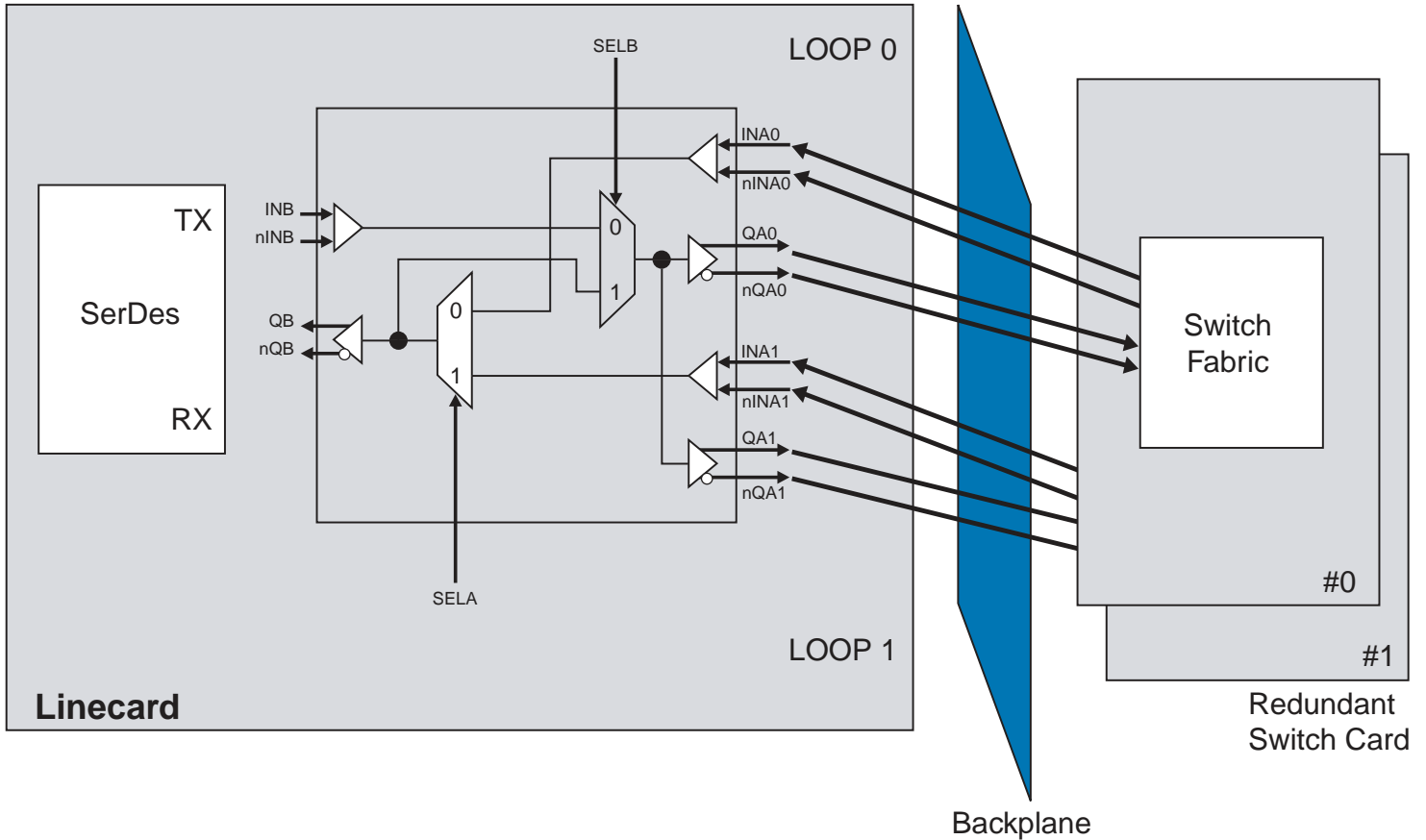


TYPICAL APPLICATION DIAGRAM FOR HOST BUS ADAPTER BOARDS FOR ROUTING BETWEEN INTERNAL AND EXTERNAL CONNECTORS





TYPICAL APPLICATION DIAGRAM FOR HOT-SWAPPABLE LINKS TO REDUNDANT SWITCH FABRIC CARDS



2.5V LVDS DRIVER TERMINATION

Figure 3 shows a typical termination for LVDS driver in transmission line environment. For buffer with multiple LDVS driver, it is recommended to terminate the unused outputs.

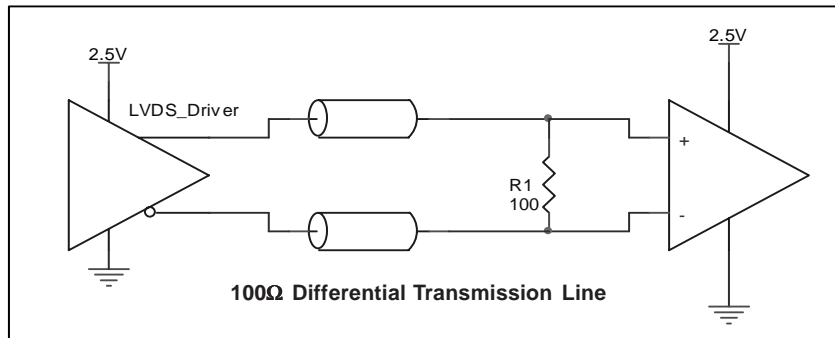


FIGURE 3. TYPICAL LVDS DRIVER TERMINATION



POWER CONSIDERATIONS

This section provides information on power dissipation and junction temperature for the ICS85454-01. Equations and example calculations are also provided.

1. Power Dissipation.

The total power dissipation for the ICS85454-01 is the sum of the core power plus the power dissipated in the load(s). The following is the power dissipation for $V_{DD} = 2.5V + 5\% = 2.625V$, which gives worst case results.

- $Power_{MAX} = V_{DD_MAX} * I_{DD_MAX} = 2.625V * 90mA = 236.3mW$

2. Junction Temperature.

Junction temperature, T_j , is the temperature at the junction of the bond wire and bond pad and directly affects the reliability of the device. The maximum recommended junction temperature for HiPerClockS™ devices is 125°C.

The equation for T_j is as follows: $T_j = \theta_{JA} * Pd_total + T_A$

T_j = Junction Temperature

θ_{JA} = Junction-to-Ambient Thermal Resistance

Pd_total = Total Device Power Dissipation (example calculation is in section 1 above)

T_A = Ambient Temperature

In order to calculate junction temperature, the appropriate junction-to-ambient thermal resistance θ_{JA} must be used. Assuming no air flow of and a multi-layer board, the appropriate value is 51.5°C/W per Table 6 below.

Therefore, T_j for an ambient temperature of 85°C with all outputs switching is:

$$85^\circ C + 0.236W * 51.5^\circ C/W = 97.2^\circ C. \text{ This is well below the limit of } 125^\circ C.$$

This calculation is only an example. T_j will obviously vary depending on the number of loaded outputs, supply voltage, air flow, and the type of board (single layer or multi-layer).

TABLE 6. THERMAL RESISTANCE θ_{JA} FOR 16-PIN VFQFN, FORCED CONVECTION

θ_{JA} vs. 0 Air Flow (Linear Feet per Minute)	
	0
Multi-Layer PCB, JEDEC Standard Test Boards	51.5°C/W



RELIABILITY INFORMATION

TABLE 7. θ_{JA} vs. AIR FLOW TABLE FOR 16 LEAD VFQFN

θ_{JA} vs. 0 Air Flow (Linear Feet per Minute)	
Multi-Layer PCB, JEDEC Standard Test Boards	0 51.5°C/W

TRANSISTOR COUNT

The transistor count for ICS85454-01 is: 171



PACKAGE OUTLINE - K SUFFIX FOR 16 LEAD VFQFN

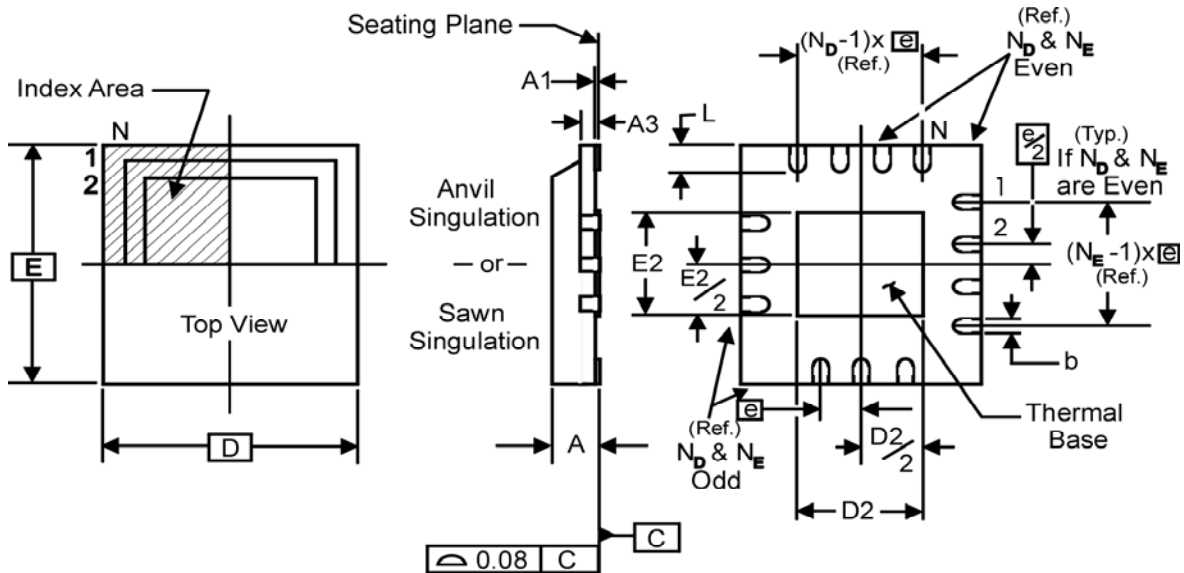


TABLE 8. PACKAGE DIMENSIONS

JEDEC VARIATION ALL DIMENSIONS IN MILLIMETERS		
SYMBOL	MINIMUM	MAXIMUM
N	16	
A	0.80	1.0
A1	0	0.05
A3	0.25 Reference	
b	0.18	0.30
e	0.50 BASIC	
N _D	4	
N _E	4	
D	3.0	
D2	1.0	1.8
E	3.0	
E2	1.0	1.8
L	0.30	0.50

Reference Document: JEDEC Publication 95, MO-220



Integrated
Circuit
Systems, Inc.

ICS85454-01

DUAL 2:1/1:2
DIFFERENTIAL-TO-LVDS MULTIPLEXER

TABLE 9. ORDERING INFORMATION

Part/Order Number	Marking	Package	Shipping Packaging	Temperature
85454AK-01	5A01	16 Lead VFQFN	Tube	-40°C to 85°C
85454AK-01T	5A01	16 Lead VFQFN	2500 Tape & Reel	-40°C to 85°C
85454AK-01LF	A01L	16 Lead "Lead-Free" VFQFN	Tube	-40°C to 85°C
85454AK-01LFT	A01L	16 Lead "Lead-Free" VFQFN	2500 Tape & Reel	-40°C to 85°C

NOTE: Parts that are ordered with an "LF" suffix to the part number are the Pb-Free configuration and are RoHS compliant.

The aforementioned trademark, HiPerClockS is a trademark of Integrated Circuit Systems, Inc. or its subsidiaries in the United States and/or other countries.

While the information presented herein has been checked for both accuracy and reliability, Integrated Circuit Systems, Incorporated (ICS) assumes no responsibility for either its use or for infringement of any patents or other rights of third parties, which would result from its use. No other circuits, patents, or licenses are implied. This product is intended for use in normal commercial and industrial applications. Any other applications such as those requiring high reliability or other extraordinary environmental requirements are not recommended without additional processing by ICS. ICS reserves the right to change any circuitry or specifications without notice. ICS does not authorize or warrant any ICS product for use in life support devices or critical medical instruments.



Integrated
Circuit
Systems, Inc.

ICS85454-01

DUAL 2:1/1:2

DIFFERENTIAL-TO-LVDS MULTIPLEXER

REVISION HISTORY SHEET

Rev	Table	Page	Description of Change	Date
B	T4D	4	LVDS DC Characteristics - changed V_{OD} parameters. Changed $\Delta V_{OD}/V_{OS}$ parameters from typical to maximum.	3/14/06
	T9	14	Ordering Information - corrected Shipping Packaging from Tray to Tube.	
B	T8	13	Package Dimension Table - corrected D2/E2 from 0.25min/1.25max. to 1.0min./1.8max.	6/16/06