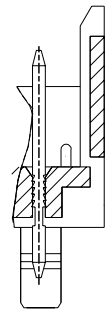
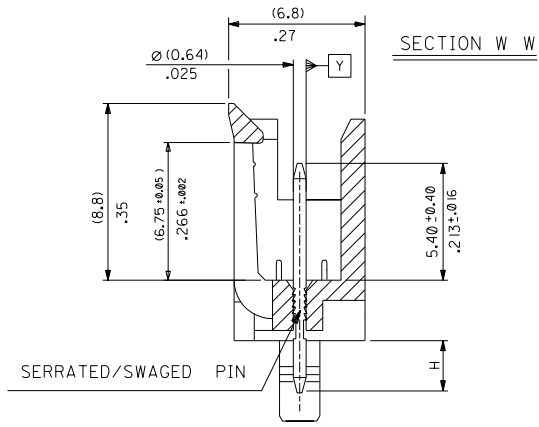
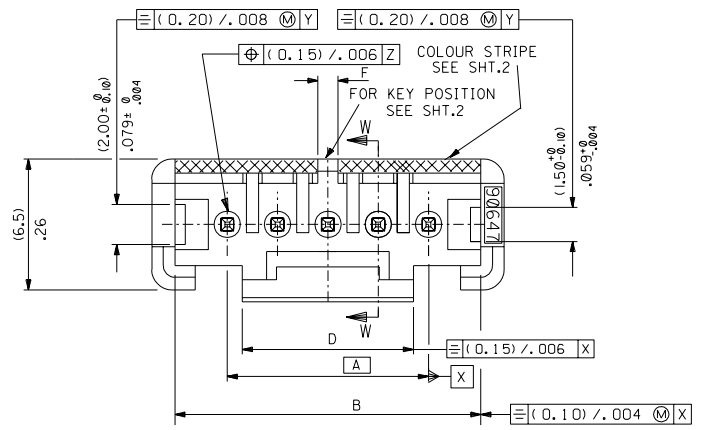
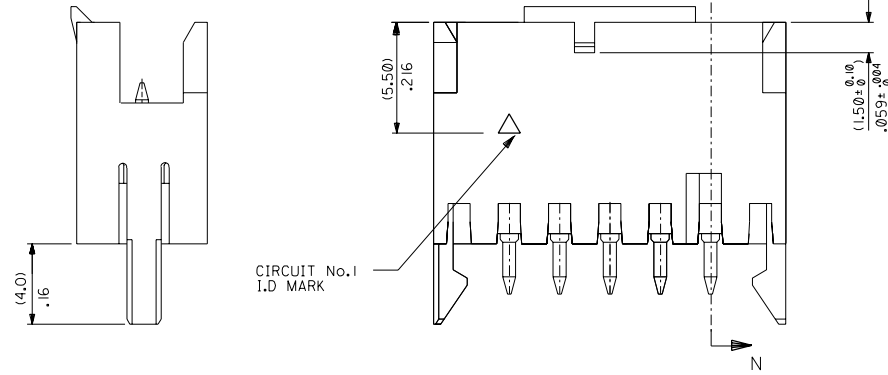
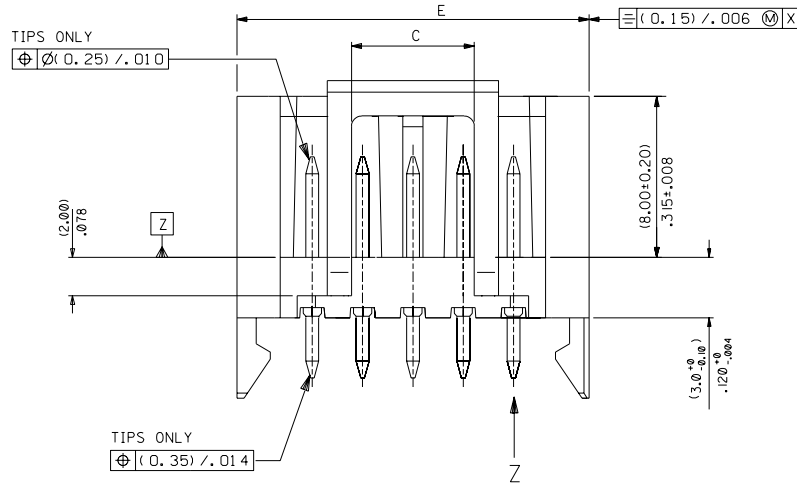


PART NO. SEE CHART
 DWG. NO. SDA-90647



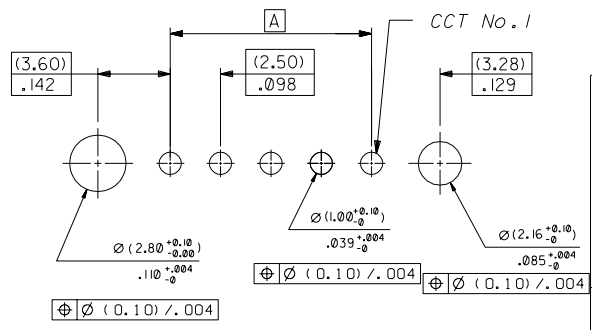
SKIP FEATURE AND KEYING
 IN SAME CIRCUIT.
 2,3 & 4 CKT. ONLY.



NOTES :

- MATERIAL;
 HOUSING: POLYESTER, UL 94V-0, G.E VALOX 310-SE0.
 PINS: BRASS,
 PLATING: (3um)/.118uin MIN. TIN
 TO 95/5 OVER (2um)/.078uin MIN. COPPER OR NICKEL.
- FOR ALL UNSTATED DIMENSIONS, COLOUR I.D AND
 KEYING POSITIONS SEE SHEET 2.

RECOMMENDED P.C.B. HOLE LAYOUT
 PCB LAYOUT : COMPONENT SIDE
 PCB THICKNESS 1.50 TO 1.60.



MODIFIED DIMS
 EC NO. E2004-1124
 DRAWN BY: RYANES 280504
 CHK: BMAGUIRE 0406/10
 APPR: BMAGUIRE 0406/10

REV	DESCRIPTION
L	

QUALITY SYMBOLS	GENERAL TOLERANCES: (UNLESS SPECIFIED)
MAJOR = \blacktriangledown	mm INCH
CRITICAL = \blacktriangledown	4 PLACES $\pm 0.$ $\pm .$
	3 PLACES $\pm 0.$ $\pm .006$
	2 PLACES ± 0.15 $\pm .008$
	1 PLACE ± 0.25 $\pm .$
	ANGULAR: $\neq / 2^\circ$
DRAFT WHERE APPLICABLE MUST REMAIN WITHIN DIMENSIONS	

SCALE 4:1	DESIGN UNITS <input type="checkbox"/> mm <input type="checkbox"/> INCH	THIRD ANGLE PROJECTION	DIMENSIONS: <input checked="" type="checkbox"/> mm <input type="checkbox"/> INCH <input type="checkbox"/> mm <input type="checkbox"/> ONLY	SHT 4	REV L
DRAWN BY & DATE POB 13/10/90		TITLE: 2.5mm Uf Hdr W+B Vt Ltc (2-5Ckt only)		REVISE ON CAD ONLY	
CHECKED BY & DATE BM 13/10/90		APPROVED BY & DATE MW 13/10/90		MATERIAL NO. SEE CHART	
CAD FILENAME S90647X1.DGN		DRAWING NO. SDA-90647		SHEET NO. 10F 4	
THIS DRAWING CONTAINS INFORMATION THAT IS PROPRIETARY TO MOLEX INCORPORATED AND SHOULD NOT BE USED WITHOUT WRITTEN PERMISSION.					SIZE B

PART NO. SEE CHART
 DWG. NO. SDA-90647

CCT SIZE	ENG. NUMBER	A	B ±(0.25) ±.010	C ±(0.20) ±.008	D ±(0.20) ±.008	E ±(0.25) ±.010	KEY		COLOUR I.D	VOID POSN CCT. No. (90647-8*** ONLY)					
							POSN. CCT. No.	F ±(0.10) ±.004							
2	90647-002	(2.5)	(7.7)	(1.3)	(3.6)	(10.0)	1	(1.50)	NATURAL	-					
	2						.059	RED	-						
	1&2						(1.0)/.040	GREEN	-						
	1						(1.5)/.059	BLUE	-						
	NONE						-	PURPLE	-						
	NONE						-	YELLOW	-						
	NONE						-	BLACK	-						
3	-003	(5.0)	(10.2)	(2.6)	(6.1)	(12.5)	1	(1.50)	NATURAL	-					
	2						.059	RED	-						
	3							GREEN	-						
	1&2						(1.0)/.040	BLUE	-						
	NONE						-	PURPLE	2						
	1						-	NATURAL	2						
	-004						(7.5)	(12.7)	(5.1)	(8.6)	(15.0)	1		NATURAL	-
2	(1.00)	RED	-												
3	.040	GREEN	-												
4		BLUE	-												
NONE	-	PURPLE	-												
5	-005	(10.0)	(15.2)	(5.1)	(17.5)	(17.5)						1		NATURAL	3
	2											(1.00)	RED	-	
	3						.040	GREEN	-						
	4							BLUE	-						
	NONE						-	PURPLE	2,4						
	90647-505										1	-	NATURAL	2,4	

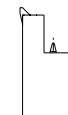
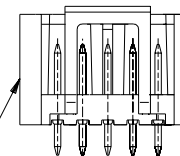
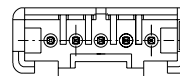
ENG. NUMBER	H ±(0.15) ±.006
90647-1***	(2.50) .099
90647-3***	(2.50) .099
90647-8***	(2.50) .099

90647 - ****

ASSEMBLY WITH SNAP-IN = 1

ASSEMBLY WITHOUT SNAP-IN = 3

ASSEMBLY WITH SNAP-IN AND VOID OPTIONS = 8



ASSEMBLY WITHOUT SNAP-IN PEGS

MODIFIED DIMS EC NO. E2004-1124 DRWNG BY RNE 18/05/04 CHK: BMAGUIRE 30/05/04 APPR: BMAGUIRE 30/05/04	QUALITY SYMBOLS MAJOR = CRITICAL = C =	GENERAL TOLERANCES: (UNLESS SPECIFIED)		SCALE: : <input checked="" type="checkbox"/> mm <input type="checkbox"/> INCH	DESIGN UNITS <input checked="" type="checkbox"/> mm <input type="checkbox"/> INCH	THIRD ANGLE PROJECTION	DIMENSIONS: <input checked="" type="checkbox"/> mm <input type="checkbox"/> INCH <input type="checkbox"/> mm <input type="checkbox"/> ONLY	SHT REV	
	DESCRIPTION L	DRAWN BY & DATE POB 13/10/90	4 PLACES ±0. ±. 3 PLACES ±0. ±. -- 2 PLACES ±0. -- ±. -- 1 PLACE ±0. -- ±.		CHECKED BY & DATE BMAGUIRE 14/10/90	TITLE: 2.5mm UF Hdr W+B V+ Ltc (2-5Ck+ only)			
	REV	APPROVED BY & DATE MWILHITE 14/10/90	ANGULAR: ± 2°		DRAFT WHERE APPLICABLE MUST REMAIN WITHIN DIMENSIONS	CAD FILENAME S90647X2.DGN	MATERIAL NO. SEE CHART	DRAWING NO. SDA-90647	SHEET NO. 2 OF 4
	THIS DRAWING CONTAINS INFORMATION THAT IS PROPRIETARY TO MOLEX INCORPORATED AND SHOULD NOT BE USED WITHOUT WRITTEN PERMISSION.								