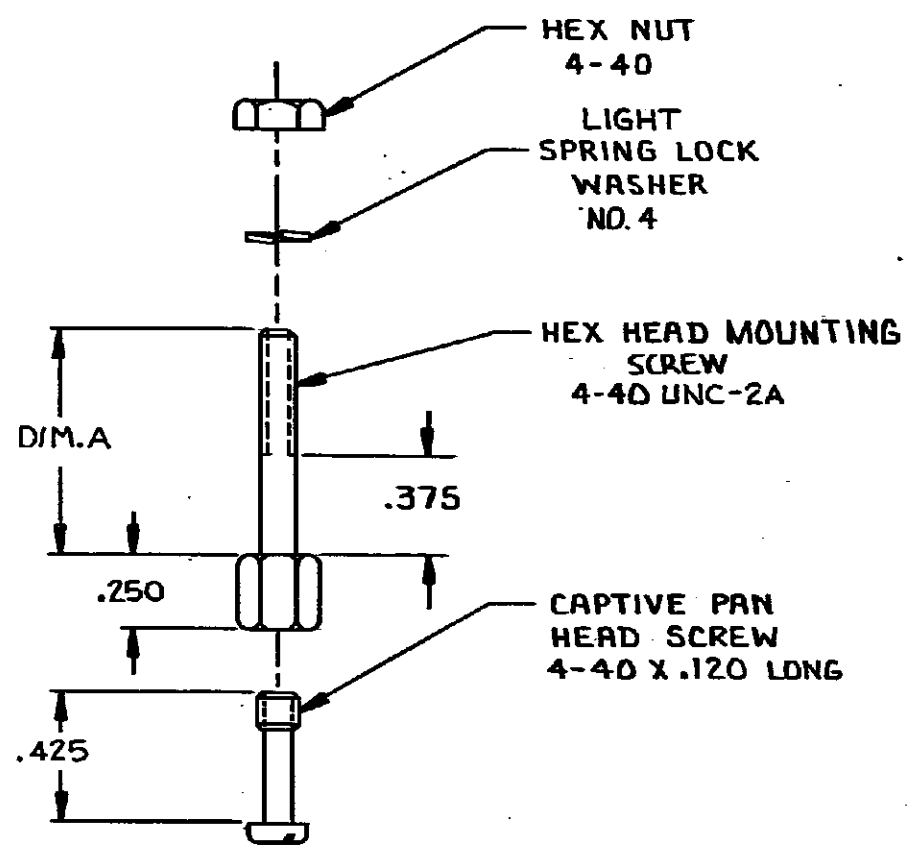


THIS DRAWING IS UNPUBLISHED. RELEASED FOR PUBLICATION 19
 © COPYRIGHT 1975 BY AMP INCORPORATED, HARRISBURG, PA. ALL INTERNATIONAL RIGHTS RESERVED. AMP PRODUCTS MAY BE COVERED BY U.S. AND FOREIGN PATENTS AND/OR PATENTS PENDING.

REVISIONS						
P	F	ZONE	LTR	DESCRIPTION	DATE	APPROVED
K			K	REV PER ECN. AA-4246	10-20-81	<i>[Signature]</i>



1. ALL DIMENSIONS SHOWN ARE FOR REFERENCE ONLY UNLESS OTHERWISE SPECIFIED.
2. TWD (2) REQUIRED OF EACH COMPONENT PER KIT.
3. MATERIAL: PAN HEAD SCREW-ZINC PLATED STEEL. LOCK WASHERS-PASSIVATED STAINLESS STEEL. HEX HEAD SCREW - BRASS WITH CHROME PLATE. HEX NUT - PASSIVATED STAINLESS STEEL.

DIM. A	WASHER DESCRIPTION	PART NO
.625	SPRING LOCK WASHER	552563-2
.750		552563-1

UNLESS OTHERWISE SPECIFIED DIMENSIONS ARE IN INCHES. TOLERANCES ON: DECIMALS ± ANGLES ±	CONTRACT NO		AMP AMP INCORPORATED Harrisburg, Pa.		
	DR. <i>A. Holt</i> 9-4-81				
	MATERIAL ③	CHK. <i>Minick</i> 9-9-81		NAME HARDWARE KIT, SCREW LOCK, VERTICAL MOUNTING, CHAMP	
		APPRO. <i>[Signature]</i> 9/12/81		SIZE B	FSCM NO 00779
FINISH ③	DSGN APPD. <i>[Signature]</i>		SCALE 2:1	SHEET 1 OF 1	
		OTHER APPD.			

AMP 1470-15 REV 2-81

CUSTOMER DRAWING