



MADE IN THE USA

### Product Description:

- Glove Box Dispenser - Single
- Holds one box of gloves
- Two formed springs accommodate a variety of box sizes
- Three-way keyholes for vertical or horizontal wall mounting
- Quartz Beige Injection Molded ABS Plastic

### Primary Area for Product Usage:

- Anywhere gloves are needed

### Dispenses:

- Box(es) no larger than 5.50"W x 10.00"H x 3.50"D (14.0 cm x 25.4 cm x 8.9 cm)
- Box(es) no smaller than 4.50"W x 9.00"H x 3.00"D (11.4 cm x 22.9 cm x 7.6 cm)

### Package Specifications:

- Package Quantity: 12 per case
- 18"L x 16"W x 10"H (45.7 cm x 40.6 cm x 25.4 cm)
- 10.0 lbs (4.5 kg) - approximated

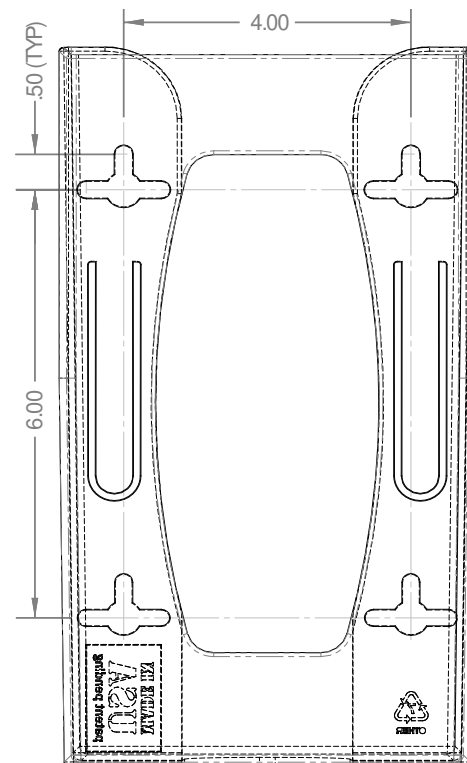
### Product Specifications (overall external dimensions):

- 5.84"W x 10.11"H x 4.22"D (14.8 cm x 25.7 cm x 10.7 cm)
- 0.7 lbs (0.3 kg) - approximated

### Mounting Specifications:

### Related Products (each sold separately):

- GL100-1214: Glove Box Dispenser - Single, Polycarbonate Plastic (shown below)

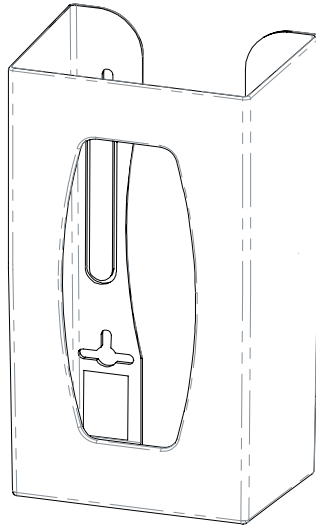




## Installation

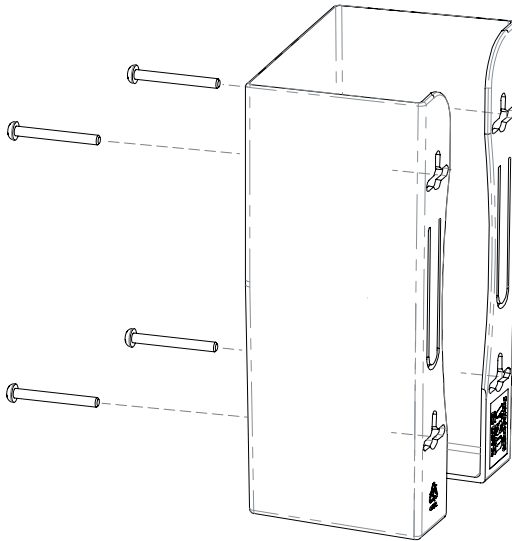
Always mount dispensers securely *prior* to loading with product.

- Front cutout allows for a wide variety of box dispensing perforations.
- Springs in back push boxes forward.



**1**

- Mount securely to a wall with screws approved and supplied by building maintenance.



**2**

### Parts included:

- Dispenser

### Tools Required:

- No tools required to assemble dispenser

## Care and Construction

ABS Plastic

### Material Characteristics

#### Designed for Long-Term, Heavy-Duty Applications

The combination of copolymers (Acrylonitrile, Butadiene, and Styrene) gives ABS an excellent combination of strength, rigidity, and toughness.

ABS is chemical and stress-crack resistant. It is tough, dimensionally stable, and will hold up to long-term use. It possesses high strength and performance characteristics at a reasonable cost.

### Care and Cleaning

Use mild soap and water to clean. Petroleum-based oils, solvents, and paints should not be used.

Standard hospital cleaning supplies are approved for use on our ABS plastic products.