

ME 45 OT-MSTBO RD - Upper part of housing

2709480

<https://www.phoenixcontact.com/us/products/2709480>

Please be informed that the data shown in this PDF document is generated from our online catalog. Please find the complete data in the user documentation. Our general terms of use for downloads are valid.

DIN rail housing, Upper housing part for connectors with header, width: 45.2 mm, height: 99 mm, depth: 45.85 mm, color: red (3001)



Your advantages

- Tool-free mounting
- Available in overall widths from 12.5 mm to 90 mm, modular extension possible
- Flammability rating V0 in accordance with UL 94
- Variety of connection technology
- Can be mounted on the DIN rail
- With integrated or DIN-rail-mountable bus connector as an option

Commercial data

| | |
|--------------------------------------|---------------|
| Item number | 2709480 |
| Packing unit | 1 pc |
| Minimum order quantity | 10 pc |
| Sales key | AC08 |
| Product key | ACHAAD |
| GTIN | 4017918879723 |
| Weight per piece (including packing) | 26.15 g |
| Weight per piece (excluding packing) | 19.43 g |
| Customs tariff number | 85389099 |
| Country of origin | DE |

ME 45 OT-MSTBO RD - Upper part of housing

2709480

<https://www.phoenixcontact.com/us/products/2709480>

Technical data


Notes

| | |
|---------|---|
| General | Refer to the data sheet for the range in the download area. |
|---------|---|

Product properties

| | |
|------------------------------|---|
| Product type | Upper housing part |
| Product family | ME...OT-MSTBO |
| Number of positions | 32 48 |
| Max. number of positions | 40 (pitch: 3.5 mm) 32 (pitch: 5 mm) 24 (pitch: 7.25 mm) |
| Number of rows | 2 |
| Type | Upper housing part for connectors with header |
| Housing type | DIN rail housing |
| Ventilation openings present | no |
| Housing series | ME |

Dimensions

| | |
|---------------------------------|--|
| Dimensional drawing |  |
| Width | 45.2 mm |
| Height | 99 mm |
| Depth | 45.85 mm |
| Depth from base support surface | 38.5 mm |

PCB design

| | |
|---------------|-------------------|
| PCB thickness | 1.4 mm ... 1.8 mm |
|---------------|-------------------|

Material specifications

| | |
|--|------------|
| Color | red (3001) |
| Flammability rating according to UL 94 | V0 |
| CTI according to IEC 60112 | 600 |
| Surface characteristics | untreated |
| Housing material | Polyamide |

Environmental and real-life conditions

ME 45 OT-MSTBO RD - Upper part of housing



2709480

<https://www.phoenixcontact.com/us/products/2709480>

Vibration test

| | |
|------------------------|-----------------------------|
| Specification | IEC 60068-2-6:2007-12 |
| Frequency | 10 - 150 - 10 Hz |
| Sweep speed | 1 octave/min |
| Amplitude | 0.15 mm (10 Hz ... 58.1 Hz) |
| Acceleration | 2g (58.1 Hz ... 150 Hz) |
| Test duration per axis | 2.5 h |
| Test directions | X-, Y- and Z-axis |

Glow-wire test

| | |
|------------------|------------------------|
| Specification | IEC 60695-2-11:2014-02 |
| Temperature | 850 °C |
| Time of exposure | 30 s |

Thermal stability / ball thrust test

| | |
|---------------|------------------------|
| Specification | IEC 60695-10-2:2014-02 |
| Temperature | 125 °C |
| Test duration | 1 h |
| Force | 20 N |

Mechanical strength / tumbling barrel

| | |
|----------------|---------------------|
| Specification | IEC 60998-1:2002-12 |
| Height of fall | 50 cm |
| Frequency | 10 |

Shocks

| | |
|--------------------------------|-----------------------------------|
| Specification | IEC 60068-2-27:2008-02 |
| Pulse shape | Half-sine |
| Acceleration | 15g |
| Shock duration | 11 ms |
| Number of shocks per direction | 3 |
| Test directions | X-, Y- and Z-axis (pos. and neg.) |

Degree of protection (IP code)

| | |
|---------------|---|
| Specification | IEC 60529:1989-11 + AMD 1:1999-11 + AMD 2:2013-08 |
|---------------|---|

Ambient conditions

| | |
|---|--|
| Max. IP code to attain | IP20 |
| Ambient temperature (operation) | -40 °C ... 105 °C (depending on power dissipation) |
| Ambient temperature (storage/transport) | -40 °C ... 55 °C |
| Ambient temperature (assembly) | -5 °C ... 100 °C |
| Relative humidity (storage/transport) | 80 % |

PCB data

| | |
|-----------------------|------|
| Number of PCB holders | 2 |
| Type of PCB mount | Slot |

ME 45 OT-MSTBO RD - Upper part of housing



2709480

<https://www.phoenixcontact.com/us/products/2709480>

| | |
|----------------------|-------------------|
| Thickness of the PCB | 1.4 mm ... 1.8 mm |
|----------------------|-------------------|

Mounting

| | |
|-------------------|----------------------------------|
| Mounting type | Latching with lower housing part |
| Mounting position | Vertical (horizontal DIN rail) |

Packaging specifications

| | |
|----------------------|---------------------|
| Type of packaging | packed in cardboard |
| Outer packaging type | Carton |

ME 45 OT-MSTBO RD - Upper part of housing

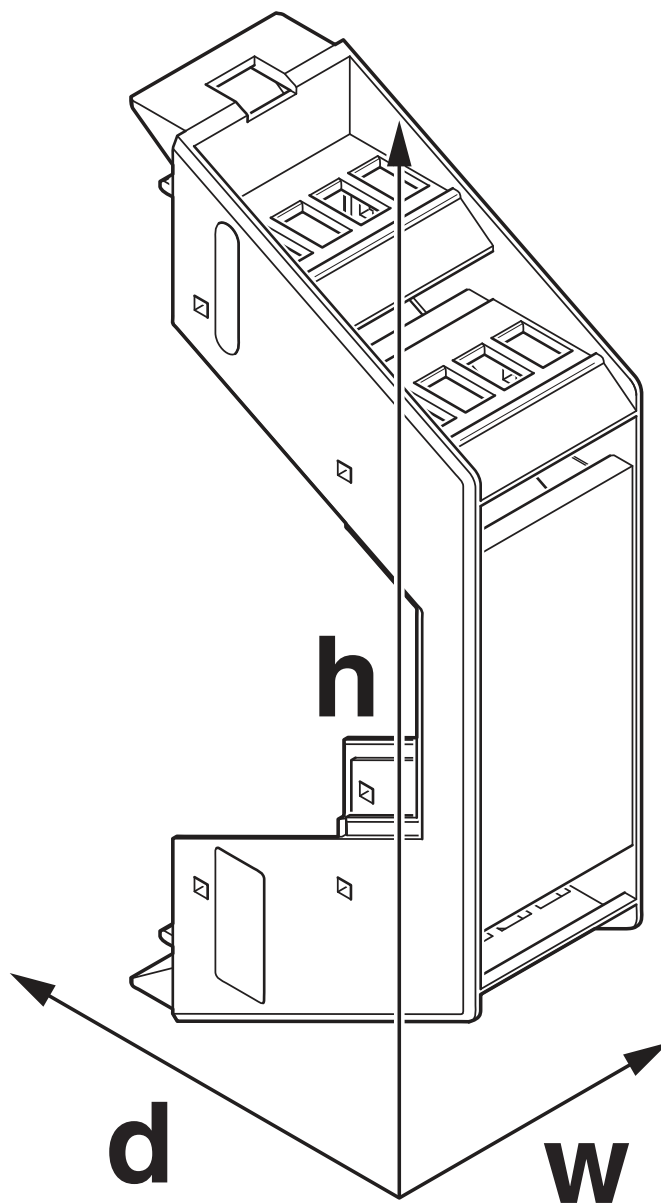
2709480

<https://www.phoenixcontact.com/us/products/2709480>



Drawings

Dimensional drawing



Schematic figure for illustrating the item dimensions. The figure is not of the desired product. For further details, refer to the product drawings in the "Downloads" tab.

ME 45 OT-MSTBO RD - Upper part of housing



2709480

<https://www.phoenixcontact.com/us/products/2709480>

Approvals

To download certificates, visit the product detail page: <https://www.phoenixcontact.com/us/products/2709480>



UL Recognized

Approval ID: FILE E 240868

ME 45 OT-MSTBO RD - Upper part of housing



2709480

<https://www.phoenixcontact.com/us/products/2709480>

Classifications

ECLASS

| | |
|-------------|----------|
| ECLASS-11.0 | 27182702 |
| ECLASS-13.0 | 27190603 |

ETIM

| | |
|----------|----------|
| ETIM 8.0 | EC001031 |
|----------|----------|

UNSPSC

| | |
|-------------|----------|
| UNSPSC 21.0 | 31261500 |
|-------------|----------|

ME 45 OT-MSTBO RD - Upper part of housing



2709480

<https://www.phoenixcontact.com/us/products/2709480>

Environmental product compliance

| | |
|------------|---|
| China RoHS | Environmentally friendly use period: unlimited = EFUP-e |
| | No hazardous substances above threshold values |

ME 45 OT-MSTBO RD - Upper part of housing

2709480

<https://www.phoenixcontact.com/us/products/2709480>

Mandatory accessories

MCO 1,5/ 5-G1L-3,5 KMGY - PCB header

2278380

<https://www.phoenixcontact.com/us/products/2278380>



PCB headers, nominal cross section: 1.5 mm², color: light grey, nominal current: 8 A, rated voltage (III/2): 160 V, contact surface: Tin, contact connection type: Pin, number of potentials: 5, number of rows: 1, number of positions: 5, number of connections: 5, product range: MCO 1,5/...-G1L, pitch: 3.5 mm, mounting: Wave soldering, pin layout: Linear pinning, solder pin [P]: 2 mm, locking: without, type of packaging: packed in cardboard, Product with pin output on left side

MCO 1,5/ 5-G1R-3,5 KMGY - PCB header

2278351

<https://www.phoenixcontact.com/us/products/2278351>



PCB headers, nominal cross section: 1.5 mm², color: light grey, nominal current: 8 A, rated voltage (III/2): 160 V, contact surface: Tin, contact connection type: Pin, number of potentials: 5, number of rows: 1, number of positions: 5, number of connections: 5, product range: MCO 1,5/...-G1R, pitch: 3.5 mm, mounting: Wave soldering, pin layout: Linear pinning, solder pin [P]: 2 mm, locking: without, type of packaging: packed in cardboard, Product with pin output on right side

ME 45 OT-MSTBO RD - Upper part of housing

2709480

<https://www.phoenixcontact.com/us/products/2709480>

MC 1,5/ 5-ST-3,5 GY7035 - PCB connector

1769087

<https://www.phoenixcontact.com/us/products/1769087>



PCB connector, nominal cross section: 1.5 mm², color: light grey, nominal current: 8 A, rated voltage (III/2): 160 V, contact surface: Tin, contact connection type: Socket, number of potentials: 5, number of rows: 1, number of positions: 5, number of connections: 5, product range: MC 1,5/...-ST, pitch: 3.5 mm, connection method: Screw connection with tension sleeve, screw head form: L Slotted, conductor/PCB connection direction: 0 °, plug-in system: COMBICON MC 1,5, locking: without, mounting: without, type of packaging: packed in cardboard

MC 1,5/ 5-ST-3,5 - PCB connector

1840395

<https://www.phoenixcontact.com/us/products/1840395>



PCB connector, nominal cross section: 1.5 mm², color: green, nominal current: 8 A, rated voltage (III/2): 160 V, contact surface: Tin, contact connection type: Socket, number of potentials: 5, number of rows: 1, number of positions: 5, number of connections: 5, product range: MC 1,5/...-ST, pitch: 3.5 mm, connection method: Screw connection with tension sleeve, screw head form: L Slotted, conductor/PCB connection direction: 0 °, plug-in system: COMBICON MC 1,5, locking: without, mounting: without, type of packaging: packed in cardboard

ME 45 OT-MSTBO RD - Upper part of housing

2709480

<https://www.phoenixcontact.com/us/products/2709480>

MC 1,5/ 5-ST-3,5 BU - PCB connector

1072487

<https://www.phoenixcontact.com/us/products/1072487>



PCB connector, nominal cross section: 1.5 mm², color: blue, nominal current: 8 A, rated voltage (III/2): 160 V, contact surface: Tin, contact connection type: Socket, number of rows: 1, number of positions: 5, product range: MC 1,5/..-ST, pitch: 3.5 mm, connection method: Screw connection with tension sleeve, screw head form: L Slotted, conductor/PCB connection direction: 0 °, plug-in system: COMBICON MC 1,5, locking: without, mounting: without, type of packaging: packed in cardboard

MC 1,5/ 5-ST-3,5 GY7031 - PCB connector

1711176

<https://www.phoenixcontact.com/us/products/1711176>



PCB connector, nominal cross section: 1.5 mm², color: blue grey, nominal current: 8 A, rated voltage (III/2): 160 V, contact surface: Tin, contact connection type: Socket, number of potentials: 5, number of rows: 1, number of positions: 5, number of connections: 5, product range: MC 1,5/..-ST, pitch: 3.5 mm, connection method: Screw connection with tension sleeve, screw head form: L Slotted, conductor/PCB connection direction: 0 °, plug-in system: COMBICON MC 1,5, locking: without, mounting: without, type of packaging: packed in cardboard

ME 45 OT-MSTBO RD - Upper part of housing

2709480

<https://www.phoenixcontact.com/us/products/2709480>

MC 1,5/ 5-ST-3,5 BK - PCB connector

1876343

<https://www.phoenixcontact.com/us/products/1876343>



PCB connector, nominal cross section: 1.5 mm², color: black, nominal current: 8 A, rated voltage (III/2): 160 V, contact surface: Tin, contact connection type: Socket, number of potentials: 5, number of rows: 1, number of positions: 5, number of connections: 5, product range: MC 1,5/...-ST, pitch: 3.5 mm, connection method: Screw connection with tension sleeve, screw head form: L Slotted, conductor/PCB connection direction: 0 °, plug-in system: COMBICON MC 1,5, locking: without, mounting: without, type of packaging: packed in cardboard

FMC 1,5/ 5-ST-3,5 - Printed-circuit board connector

1952296

<https://www.phoenixcontact.com/us/products/1952296>



PCB connector, nominal cross section: 1.5 mm², color: green, nominal current: 8 A, rated voltage (III/2): 160 V, contact surface: Tin, contact connection type: Socket, number of potentials: 5, number of rows: 1, number of positions: 5, number of connections: 5, product range: FMC 1,5/...-ST, pitch: 3.5 mm, connection method: Push-in spring connection, conductor/PCB connection direction: 0 °, plug-in system: COMBICON MC 1,5, locking: without, mounting: without, type of packaging: packed in cardboard

ME 45 OT-MSTBO RD - Upper part of housing

2709480

<https://www.phoenixcontact.com/us/products/2709480>



FMC 1,5/ 5-ST-3,5 YE - Printed-circuit board connector

1048844

<https://www.phoenixcontact.com/us/products/1048844>



PCB connector, nominal cross section: 1.5 mm², color: yellow, nominal current: 8 A, rated voltage (III/2): 160 V, contact surface: Tin, contact connection type: Socket, number of potentials: 5, number of rows: 1, number of positions: 5, number of connections: 5, product range: FMC 1,5/..-ST, pitch: 3.5 mm, connection method: Push-in spring connection, conductor/PCB connection direction: 0 °, plug-in system: COMBICON MC 1,5, locking: without, mounting: without, type of packaging: packed in cardboard

FMC 1,5/ 5-ST-3,5 GY AU - Printed-circuit board connector

1746644

<https://www.phoenixcontact.com/us/products/1746644>



PCB connector, nominal cross section: 1.5 mm², color: gray, nominal current: 8 A, rated voltage (III/2): 160 V, contact surface: Gold, contact connection type: Socket, number of potentials: 5, number of rows: 1, number of positions: 5, number of connections: 5, product range: FMC 1,5/..-ST, pitch: 3.5 mm, connection method: Push-in spring connection, conductor/PCB connection direction: 0 °, plug-in system: COMBICON MC 1,5, locking: without, mounting: without, type of packaging: packed in cardboard

ME 45 OT-MSTBO RD - Upper part of housing

2709480

<https://www.phoenixcontact.com/us/products/2709480>



FMC 1,5/ 5-ST-3,5 BK - Printed-circuit board connector

1705000

<https://www.phoenixcontact.com/us/products/1705000>



PCB connector, nominal cross section: 1.5 mm², color: black, nominal current: 8 A, rated voltage (III/2): 160 V, contact surface: Tin, contact connection type: Socket, number of potentials: 5, number of rows: 1, number of positions: 5, number of connections: 5, product range: FMC 1,5/..-ST, pitch: 3.5 mm, connection method: Push-in spring connection, conductor/PCB connection direction: 0 °, plug-in system: COMBICON MC 1,5, locking: without, mounting: without, type of packaging: packed in cardboard

FMC 1,5/ 5-ST-3,5 GY - Printed-circuit board connector

1729328

<https://www.phoenixcontact.com/us/products/1729328>



PCB connector, nominal cross section: 1.5 mm², color: gray, nominal current: 8 A, rated voltage (III/2): 160 V, contact surface: Tin, contact connection type: Socket, number of potentials: 5, number of rows: 1, number of positions: 5, number of connections: 5, product range: FMC 1,5/..-ST, pitch: 3.5 mm, connection method: Push-in spring connection, conductor/PCB connection direction: 0 °, plug-in system: COMBICON MC 1,5, locking: without, mounting: without, type of packaging: packed in cardboard

ME 45 OT-MSTBO RD - Upper part of housing

2709480

<https://www.phoenixcontact.com/us/products/2709480>



FMC 1,5/ 5-ST-3,5 GY7035 - Printed-circuit board connector

1773581

<https://www.phoenixcontact.com/us/products/1773581>



PCB connector, nominal cross section: 1.5 mm², color: light grey, nominal current: 8 A, rated voltage (III/2): 160 V, contact surface: Tin, contact connection type: Socket, number of potentials: 5, number of rows: 1, number of positions: 5, number of connections: 5, product range: FMC 1,5/..-ST, pitch: 3.5 mm, connection method: Push-in spring connection, conductor/PCB connection direction: 0 °, plug-in system: COMBICON MC 1,5, locking: without, mounting: without, type of packaging: packed in cardboard

FK-MCP 1,5/ 5-ST-3,5 - PCB connector

1939947

<https://www.phoenixcontact.com/us/products/1939947>



PCB connector, nominal cross section: 1.5 mm², color: green, nominal current: 8 A, rated voltage (III/2): 160 V, contact surface: Tin, contact connection type: Socket, number of potentials: 5, number of rows: 1, number of positions: 5, number of connections: 5, product range: FK-MCP 1,5/..-ST, pitch: 3.5 mm, connection method: Push-in spring connection, conductor/PCB connection direction: 0 °, plug-in system: COMBICON MC 1,5, locking: without, mounting: without, type of packaging: packed in cardboard

ME 45 OT-MSTBO RD - Upper part of housing

2709480

<https://www.phoenixcontact.com/us/products/2709480>

FK-MCP 1,5/ 5-ST-3,5 GY7035 - PCB connector

1773604

<https://www.phoenixcontact.com/us/products/1773604>

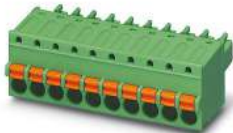


PCB connector, nominal cross section: 1.5 mm², color: light grey, nominal current: 8 A, rated voltage (III/2): 160 V, contact surface: Tin, contact connection type: Socket, number of potentials: 5, number of rows: 1, number of positions: 5, number of connections: 5, product range: FK-MCP 1,5/...-ST, pitch: 3.5 mm, connection method: Push-in spring connection, conductor/PCB connection direction: 0 °, plug-in system: COMBICON MC 1,5, locking: without, mounting: without, type of packaging: packed in cardboard

FK-MCP 1,5/ 5-ST-3,5 BK - PCB connector

1800274

<https://www.phoenixcontact.com/us/products/1800274>



PCB connector, nominal cross section: 1.5 mm², color: black, nominal current: 8 A, rated voltage (III/2): 160 V, contact surface: Tin, contact connection type: Socket, number of potentials: 5, number of rows: 1, number of positions: 5, number of connections: 5, product range: FK-MCP 1,5/...-ST, pitch: 3.5 mm, connection method: Push-in spring connection, conductor/PCB connection direction: 0 °, plug-in system: COMBICON MC 1,5, locking: without, mounting: without, type of packaging: packed in cardboard

ME 45 OT-MSTBO RD - Upper part of housing

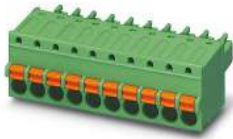
2709480

<https://www.phoenixcontact.com/us/products/2709480>

FK-MCP 1,5/ 5-ST-3,5 GY7031 - PCB connector

1705329

<https://www.phoenixcontact.com/us/products/1705329>

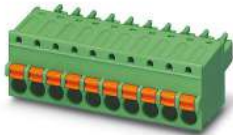


PCB connector, nominal cross section: 1.5 mm², color: blue grey, nominal current: 8 A, rated voltage (III/2): 160 V, contact surface: Tin, contact connection type: Socket, number of potentials: 5, number of rows: 1, number of positions: 5, number of connections: 5, product range: FK-MCP 1,5/...-ST, pitch: 3.5 mm, connection method: Push-in spring connection, conductor/PCB connection direction: 0 °, plug-in system: COMBICON MC 1,5, locking: without, mounting: without, type of packaging: packed in cardboard

FK-MCP 1,5/ 5-ST-3,5 YE - PCB connector

1096427

<https://www.phoenixcontact.com/us/products/1096427>



PCB connector, nominal cross section: 1.5 mm², color: yellow, nominal current: 8 A, rated voltage (III/2): 160 V, contact surface: Tin, contact connection type: Socket, number of rows: 1, number of positions: 5, product range: FK-MCP 1,5/...-ST, pitch: 3.5 mm, connection method: Push-in spring connection, conductor/PCB connection direction: 0 °, plug-in system: COMBICON MC 1,5, locking: without, mounting: without, type of packaging: packed in cardboard

ME 45 OT-MSTBO RD - Upper part of housing

2709480

<https://www.phoenixcontact.com/us/products/2709480>

MSTBO 2,5/ 4-G1L - PCB header

1861060

<https://www.phoenixcontact.com/us/products/1861060>



PCB headers, nominal cross section: 2.5 mm², color: green, nominal current: 12 A, rated voltage (III/2): 320 V, contact surface: Tin, contact connection type: Pin, number of potentials: 4, number of rows: 1, number of positions: 4, number of connections: 4, product range: MSTBO 2,5/..-G1L, pitch: 5 mm, mounting: Wave soldering, pin layout: Linear pinning, solder pin [P]: 3.5 mm, number of solder pins per potential: 1, plug-in system: COMBICON MSTB 2,5, locking: without, type of packaging: packed in cardboard, Product with pin output on left side

MSTBO 2,5/ 4-G1L THRR44 BK AU - PCB header

1077613

<https://www.phoenixcontact.com/us/products/1077613>



PCB headers, color: black, contact surface: Gold, contact connection type: Pin, number of positions: 4, product range: MSTBO 2,5/..-G1L THR Au, pitch: 5 mm, mounting: THR soldering, pin layout: Linear pinning, solder pin [P]: 2.5 mm, number of solder pins per potential: 1, plug-in system: COMBICON MSTB 2,5, type of packaging: 44 mm wide tape, Article with lateral pin exit

ME 45 OT-MSTBO RD - Upper part of housing

2709480

<https://www.phoenixcontact.com/us/products/2709480>

MSTBO 2,5/ 4-G1L THRR44 BK - PCB header

2697194

<https://www.phoenixcontact.com/us/products/2697194>



PCB headers, nominal cross section: 2.5 mm², color: black, nominal current: 16 A, rated voltage (III/2): 320 V, contact surface: Tin, contact connection type: Pin, number of rows: 1, number of positions: 4, product range: MSTBO 2,5/..-G1L-THR, pitch: 5 mm, mounting: THR soldering, pin layout: Linear pinning, solder pin [P]: 2.5 mm, number of solder pins per potential: 1, plug-in system: COMBICON MSTB 2,5, locking: without, type of packaging: 44 mm wide tape, Product with pin output on left side

MSTBO 2,5/ 4-G1L THR BK - PCB header

2709749

<https://www.phoenixcontact.com/us/products/2709749>



PCB headers, nominal cross section: 2.5 mm², color: black, nominal current: 16 A, rated voltage (III/2): 320 V, contact connection type: Pin, number of rows: 1, number of positions: 4, product range: MSTBO 2,5/..-G1L-THR, pitch: 5 mm, mounting: THR soldering, pin layout: Linear pinning, solder pin [P]: 2.5 mm, number of solder pins per potential: 1, plug-in system: COMBICON MSTB 2,5, locking: without, type of packaging: Box packaging, Product with pin output on left side

ME 45 OT-MSTBO RD - Upper part of housing

2709480

<https://www.phoenixcontact.com/us/products/2709480>

MSTBO 2,5/ 4-G1L KMGY AU - PCB header

1077607

<https://www.phoenixcontact.com/us/products/1077607>



PCB headers, color: light grey, contact surface: Gold, contact connection type: Pin, number of rows: 1, number of positions: 4, product range: MSTBO 2,5/..-G1L Au, pitch: 5 mm, mounting: Wave soldering, pin layout: Linear pinning, solder pin [P]: 3.5 mm, number of solder pins per potential: 1, plug-in system: COMBICON MSTB 2,5, Pin connector pattern alignment: Orthogonal, locking: without, type of packaging: packed in cardboard, Product with pin output on left side

MSTBO 2,5/ 4-G1L KMGY - PCB header

2907774

<https://www.phoenixcontact.com/us/products/2907774>



PCB headers, nominal cross section: 2.5 mm², color: light grey, nominal current: 12 A, rated voltage (III/2): 320 V, contact surface: Tin, contact connection type: Pin, number of potentials: 4, number of rows: 1, number of positions: 4, number of connections: 4, product range: MSTBO 2,5/..-G1L, pitch: 5 mm, mounting: Wave soldering, pin layout: Linear pinning, solder pin [P]: 3.5 mm, number of solder pins per potential: 1, plug-in system: COMBICON MSTB 2,5, locking: without, type of packaging: packed in cardboard, Product with pin output on left side

ME 45 OT-MSTBO RD - Upper part of housing

2709480

<https://www.phoenixcontact.com/us/products/2709480>

MSTBO 2,5/ 4-G1L OG - PCB header

2200383

<https://www.phoenixcontact.com/us/products/2200383>



PCB headers, nominal cross section: 2.5 mm², color: orange, nominal current: 12 A, rated voltage (III/2): 320 V, contact connection type: Pin, number of rows: 1, number of positions: 4, product range: MSTBO 2,5/..-G1L, pitch: 5 mm, mounting: Wave soldering, pin layout: Linear pinning, solder pin [P]: 3.5 mm, number of solder pins per potential: 1, plug-in system: COMBICON MSTB 2,5, locking: without, type of packaging: packed in cardboard, Product with pin output on left side

MSTBO 2,5/ 4-G1R - PCB header

1861073

<https://www.phoenixcontact.com/us/products/1861073>



PCB headers, nominal cross section: 2.5 mm², color: green, nominal current: 12 A, rated voltage (III/2): 320 V, contact surface: Tin, contact connection type: Pin, number of potentials: 4, number of rows: 1, number of positions: 4, number of connections: 4, product range: MSTBO 2,5/..-G1R, pitch: 5 mm, connection method: pluggable, mounting: Wave soldering, pin layout: Linear pinning, solder pin [P]: 3.5 mm, number of solder pins per potential: 1, plug-in system: COMBICON MSTB 2,5, locking: without, type of packaging: packed in cardboard, Product with pin output on right side

ME 45 OT-MSTBO RD - Upper part of housing

2709480

<https://www.phoenixcontact.com/us/products/2709480>

MSTBO 2,5/ 4-G1R THR BK - PCB header

2709752

<https://www.phoenixcontact.com/us/products/2709752>



PCB headers, nominal cross section: 2.5 mm², color: black, nominal current: 16 A, rated voltage (III/2): 320 V, contact connection type: Pin, number of rows: 1, number of positions: 4, product range: MSTBO 2,5/..-G1R-THR, pitch: 5 mm, mounting: THR soldering, pin layout: Linear pinning, solder pin [P]: 2.5 mm, number of solder pins per potential: 1, plug-in system: COMBICON MSTB 2,5, locking: without, type of packaging: Box packaging, Product with pin output on right side

MSTBO 2,5/ 4-G1R THRR44 BK AU - PCB header

1077614

<https://www.phoenixcontact.com/us/products/1077614>



PCB headers, color: black, contact surface: Gold, contact connection type: Pin, number of positions: 4, product range: MSTBO 2,5/..-G1R THR Au, pitch: 5 mm, mounting: THR soldering, pin layout: Linear pinning, solder pin [P]: 2.5 mm, number of solder pins per potential: 1, plug-in system: COMBICON MSTB 2,5, type of packaging: 44 mm wide tape, Product with pin output on right side

ME 45 OT-MSTBO RD - Upper part of housing

2709480

<https://www.phoenixcontact.com/us/products/2709480>

MSTBO 2,5/ 4-G1R THRR44 BK - PCB header

2697204

<https://www.phoenixcontact.com/us/products/2697204>



PCB headers, nominal cross section: 2.5 mm², color: black, nominal current: 16 A, rated voltage (III/2): 320 V, contact surface: Tin, contact connection type: Pin, number of rows: 1, number of positions: 4, product range: MSTBO 2,5/..-G1R-THR, pitch: 5 mm, mounting: THR soldering, pin layout: Linear pinning, solder pin [P]: 2.5 mm, number of solder pins per potential: 1, plug-in system: COMBICON MSTB 2,5, locking: without, type of packaging: 44 mm wide tape, Product with pin output on right side

MSTBO 2,5/ 4-G1R KMGY AU - PCB header

1077608

<https://www.phoenixcontact.com/us/products/1077608>



PCB headers, color: light grey, contact surface: Gold, contact connection type: Pin, number of rows: 1, number of positions: 4, product range: MSTBO 2,5/..-G1R Au, pitch: 5 mm, mounting: Wave soldering, pin layout: Linear pinning, solder pin [P]: 3.5 mm, number of solder pins per potential: 1, plug-in system: COMBICON MSTB 2,5, Pin connector pattern alignment: Orthogonal, locking: without, type of packaging: packed in cardboard, Product with pin output on right side

ME 45 OT-MSTBO RD - Upper part of housing

2709480

<https://www.phoenixcontact.com/us/products/2709480>

MSTBO 2,5/ 4-G1R KMGY - PCB header

2907787

<https://www.phoenixcontact.com/us/products/2907787>



PCB headers, nominal cross section: 2.5 mm², color: light grey, nominal current: 12 A, rated voltage (III/2): 320 V, contact surface: Tin, contact connection type: Pin, number of potentials: 4, number of rows: 1, number of positions: 4, number of connections: 4, product range: MSTBO 2,5/..-G1R, pitch: 5 mm, connection method: pluggable, mounting: Wave soldering, pin layout: Linear pinning, solder pin [P]: 3.5 mm, number of solder pins per potential: 1, plug-in system: COMBICON MSTB 2,5, locking: without, type of packaging: packed in cardboard, Product with pin output on right side

MSTBO 2,5/ 4-G1R OG - PCB header

2200384

<https://www.phoenixcontact.com/us/products/2200384>



PCB headers, nominal cross section: 2.5 mm², color: orange, nominal current: 12 A, rated voltage (III/2): 320 V, contact connection type: Pin, number of potentials: 4, number of rows: 1, number of positions: 4, number of connections: 4, product range: MSTBO 2,5/..-G1R, pitch: 5 mm, connection method: pluggable, mounting: Wave soldering, pin layout: Linear pinning, solder pin [P]: 3.5 mm, number of solder pins per potential: 1, plug-in system: COMBICON MSTB 2,5, locking: without, type of packaging: packed in cardboard, Product with pin output on right side

ME 45 OT-MSTBO RD - Upper part of housing

2709480

<https://www.phoenixcontact.com/us/products/2709480>

MSTBO 2,5/ 4-G1PL GY7035 - PCB header

2200325

<https://www.phoenixcontact.com/us/products/2200325>



PCB headers, nominal cross section: 2.5 mm², color: light grey, nominal current: 16 A, rated voltage (III/2): 320 V, contact surface: Tin, contact connection type: Pin, number of rows: 1, number of positions: 4, product range: MSTBO 2,5/..-G1PL, pitch: 5 mm, mounting: Wave soldering, pin layout: Linear pinning, solder pin [P]: 3.5 mm, number of solder pins per potential: 1, plug-in system: COMBICON MSTB 2,5, locking: without, type of packaging: packed in cardboard, Product with pin output on left side

MSTBO 2,5/ 4-G1PL BK - PCB header

2200485

<https://www.phoenixcontact.com/us/products/2200485>



PCB headers, nominal cross section: 2.5 mm², color: black, nominal current: 16 A, rated voltage (III/2): 320 V, contact surface: Tin, contact connection type: Pin, number of rows: 1, number of positions: 4, product range: MSTBO 2,5/..-G1PL, pitch: 5 mm, mounting: Wave soldering, solder pin [P]: 3.5 mm, number of solder pins per potential: 1, plug-in system: COMBICON MSTB 2,5, locking: without, type of packaging: packed in cardboard, Product with pin output on left side

ME 45 OT-MSTBO RD - Upper part of housing

2709480

<https://www.phoenixcontact.com/us/products/2709480>

MSTBO 2,5/ 4-G1PL BUGY - PCB header

2200551

<https://www.phoenixcontact.com/us/products/2200551>



PCB headers, nominal cross section: 2.5 mm², color: blue grey, nominal current: 16 A, rated voltage (III/2): 320 V, contact connection type: Pin, number of rows: 1, number of positions: 4, product range: MSTBO 2,5/..-G1PL, pitch: 5 mm, mounting: Wave soldering, pin layout: Linear pinning, solder pin [P]: 3.5 mm, number of solder pins per potential: 1, plug-in system: COMBICON MSTB 2,5, locking: without, type of packaging: packed in cardboard, Product with pin output on left side

MSTBO 2,5/ 4-G1PR BK - PCB header

2200486

<https://www.phoenixcontact.com/us/products/2200486>



PCB headers, nominal cross section: 2.5 mm², color: black, nominal current: 16 A, rated voltage (III/2): 320 V, contact surface: Tin, contact connection type: Pin, number of rows: 1, number of positions: 4, product range: MSTBO 2,5/..-G1PR, pitch: 5 mm, mounting: Wave soldering, pin layout: Linear pinning, solder pin [P]: 3.5 mm, number of solder pins per potential: 1, plug-in system: COMBICON MSTB 2,5, locking: without, type of packaging: packed in cardboard, Product with pin output on right side

ME 45 OT-MSTBO RD - Upper part of housing

2709480

<https://www.phoenixcontact.com/us/products/2709480>

MSTBO 2,5/ 4-G1PR GY7035 - PCB header

2200326

<https://www.phoenixcontact.com/us/products/2200326>



PCB headers, nominal cross section: 2.5 mm², color: light grey, nominal current: 16 A, rated voltage (III/2): 320 V, contact surface: Tin, contact connection type: Pin, number of rows: 1, number of positions: 4, product range: MSTBO 2,5/..-G1PR, pitch: 5 mm, mounting: Wave soldering, pin layout: Linear pinning, solder pin [P]: 3.5 mm, number of solder pins per potential: 1, plug-in system: COMBICON MSTB 2,5, locking: without, type of packaging: packed in cardboard, Product with pin output on right side

MSTBO 2,5/ 4-G1PR BUGY - PCB header

2200552

<https://www.phoenixcontact.com/us/products/2200552>



PCB headers, nominal cross section: 2.5 mm², color: blue grey, nominal current: 16 A, rated voltage (III/2): 320 V, contact connection type: Pin, number of rows: 1, number of positions: 4, product range: MSTBO 2,5/..-G1PR, pitch: 5 mm, mounting: Wave soldering, pin layout: Linear pinning, solder pin [P]: 3.5 mm, number of solder pins per potential: 1, plug-in system: COMBICON MSTB 2,5, locking: without, type of packaging: packed in cardboard, Product with pin output on right side

ME 45 OT-MSTBO RD - Upper part of housing

2709480

<https://www.phoenixcontact.com/us/products/2709480>



PSPT 2,5/ 4-ST KMGY - Printed-circuit board connector

2202344

<https://www.phoenixcontact.com/us/products/2202344>



PCB connector, nominal cross section: 2.5 mm², color: light grey, nominal current: 16 A, rated voltage (III/2): 300 V, contact surface: Tin, contact connection type: Socket, number of potentials: 4, number of rows: 1, number of positions: 4, number of connections: 4, product range: PSPT 2,5/..-ST, pitch: 5 mm, connection method: Push-in spring connection, conductor/PCB connection direction: 0 °, locking clip: - Locking clip, locking: without, mounting: without, type of packaging: packed in cardboard, Color of the spring lever: orange

PSPT 2,5/ 4-ST BU - Printed-circuit board connector

1036975

<https://www.phoenixcontact.com/us/products/1036975>



PCB connector, nominal cross section: 2.5 mm², color: blue, nominal current: 16 A, rated voltage (III/2): 300 V, contact connection type: Socket, number of rows: 1, number of positions: 4, product range: PSPT 2,5/..-ST, pitch: 5 mm, connection method: Push-in spring connection, conductor/PCB connection direction: 0 °, locking clip: - Locking clip, locking: without, mounting: without, Color of the spring lever: orange

ME 45 OT-MSTBO RD - Upper part of housing

2709480

<https://www.phoenixcontact.com/us/products/2709480>

PSPT 2,5/ 4-ST GY - Printed-circuit board connector

1036976

<https://www.phoenixcontact.com/us/products/1036976>



PCB connector, nominal cross section: 2.5 mm², color: gray, nominal current: 16 A, rated voltage (III/2): 300 V, contact connection type: Socket, number of rows: 1, number of positions: 4, product range: PSPT 2,5/..-ST, pitch: 5 mm, connection method: Push-in spring connection, conductor/PCB connection direction: 0 °, locking clip: - Locking clip, locking: without, mounting: without

PSPT 2,5/ 4-ST BK - Printed-circuit board connector

2202757

<https://www.phoenixcontact.com/us/products/2202757>



PCB connector, nominal cross section: 2.5 mm², color: black, nominal current: 16 A, rated voltage (III/2): 300 V, contact surface: Tin, contact connection type: Socket, number of potentials: 4, number of rows: 1, number of positions: 4, number of connections: 4, product range: PSPT 2,5/..-ST, pitch: 5 mm, connection method: Push-in spring connection, conductor/PCB connection direction: 0 °, locking clip: - Locking clip, locking: without, mounting: without, type of packaging: packed in cardboard, Color of the spring lever: orange

ME 45 OT-MSTBO RD - Upper part of housing

2709480

<https://www.phoenixcontact.com/us/products/2709480>



MSTBT 2,5 HC/ 4-STP BK - Printed-circuit board connector

2200482

<https://www.phoenixcontact.com/us/products/2200482>



PCB connector, nominal cross section: 2.5 mm², color: black, nominal current: 16 A, rated voltage (III/2): 320 V, contact surface: Tin, contact connection type: Socket, number of rows: 1, number of positions: 4, product range: MSTBT 2,5 HC/...-STP, pitch: 5 mm, connection method: Screw connection with tension sleeve, conductor/PCB connection direction: 0 °, locking clip: - Locking clip, plug-in system: COMBICON MSTB 2,5 HC, locking: without, mounting: without, type of packaging: packed in cardboard

MSTBT 2,5 HC/ 4-STP GY7035 - Printed-circuit board connector

2200332

<https://www.phoenixcontact.com/us/products/2200332>



PCB connector, nominal cross section: 2.5 mm², color: light grey, nominal current: 16 A, rated voltage (III/2): 320 V, contact surface: Tin, contact connection type: Socket, number of rows: 1, number of positions: 4, product range: MSTBT 2,5 HC/...-STP, pitch: 5 mm, connection method: Screw connection with tension sleeve, conductor/PCB connection direction: 0 °, locking clip: - Locking clip, plug-in system: COMBICON MSTB 2,5 HC, locking: without, mounting: without

ME 45 OT-MSTBO RD - Upper part of housing

2709480

<https://www.phoenixcontact.com/us/products/2709480>

MSTBT 2,5 HC/ 4-STP BU - Printed-circuit board connector

1009166

<https://www.phoenixcontact.com/us/products/1009166>



PCB connector, nominal cross section: 2.5 mm², color: blue, nominal current: 16 A, rated voltage (III/2): 320 V, contact surface: Tin, contact connection type: Socket, number of rows: 1, number of positions: 4, product range: MSTBT 2,5 HC/..-STP, pitch: 5 mm, connection method: Screw connection with tension sleeve, conductor/PCB connection direction: 0 °, locking clip: - Locking clip, plug-in system: COMBICON MSTB 2,5 HC, locking: without, mounting: without

MSTBT 2,5 HC/ 4-STP BUGY - Printed-circuit board connector

2201085

<https://www.phoenixcontact.com/us/products/2201085>



PCB connector, nominal cross section: 2.5 mm², color: blue, nominal current: 16 A, rated voltage (III/2): 320 V, contact connection type: Socket, number of rows: 1, number of positions: 4, product range: MSTBT 2,5 HC/..-STP, pitch: 5 mm, connection method: Screw connection with tension sleeve, conductor/PCB connection direction: 0 °, locking clip: - Locking clip, plug-in system: COMBICON MSTB 2,5 HC, locking: without, mounting: without

ME 45 OT-MSTBO RD - Upper part of housing

2709480

<https://www.phoenixcontact.com/us/products/2709480>

GMSTBO 2,5 HV/ 3-GL-7,25 THR - PCB header

2199663

<https://www.phoenixcontact.com/us/products/2199663>



PCB headers, nominal cross section: 2.5 mm², color: black, nominal current: 16 A, rated voltage (III/2): 630 V, contact connection type: Pin, number of potentials: 3, number of rows: 1, number of positions: 3, number of connections: 3, product range: GMSTBO 2,5 HV, pitch: 7.25 mm, mounting: THR soldering, pin layout: Linear pinning, solder pin [P]: 2.1 mm, number of solder pins per potential: 1, plug-in system: COMBICON MSTB 2,5, Pin connector pattern alignment: Standard, type of packaging: packed in cardboard, Product with pin output on left side

GMSTBO 2,5 HV/3-GL-7,25 THRR44 - PCB header

2200263

<https://www.phoenixcontact.com/us/products/2200263>



PCB headers, nominal cross section: 2.5 mm², color: black, nominal current: 16 A, rated voltage (III/2): 630 V, contact connection type: Pin, number of potentials: 3, number of rows: 1, number of positions: 3, number of connections: 3, product range: GMSTBO 2,5 HV, pitch: 7.25 mm, mounting: THR soldering, pin layout: Linear pinning, solder pin [P]: 2.1 mm, number of solder pins per potential: 1, plug-in system: COMBICON MSTB 2,5, Pin connector pattern alignment: Standard, type of packaging: 44 mm wide tape, Product with pin output on left side

ME 45 OT-MSTBO RD - Upper part of housing

2709480

<https://www.phoenixcontact.com/us/products/2709480>



GMSTBO 2,5 HV/ 3-GR-7,25 THR - PCB header

2199566

<https://www.phoenixcontact.com/us/products/2199566>



PCB headers, nominal cross section: 2.5 mm², color: black, nominal current: 16 A, rated voltage (III/2): 630 V, contact connection type: Pin, number of potentials: 3, number of rows: 1, number of positions: 3, number of connections: 3, product range: GMSTBO 2,5 HV, pitch: 7.25 mm, mounting: THR soldering, pin layout: Linear pinning, solder pin [P]: 2.1 mm, number of solder pins per potential: 1, plug-in system: COMBICON MSTB 2,5, Pin connector pattern alignment: Standard, type of packaging: packed in cardboard, Product with pin output on right side

GMSTBO 2,5 HV/3-GR-7,25 THRR44 - PCB header

2200262

<https://www.phoenixcontact.com/us/products/2200262>



PCB headers, nominal cross section: 2.5 mm², color: black, nominal current: 16 A, rated voltage (III/2): 630 V, contact connection type: Pin, number of potentials: 3, number of rows: 1, number of positions: 3, number of connections: 3, product range: GMSTBO 2,5 HV, pitch: 7.25 mm, mounting: THR soldering, pin layout: Linear pinning, solder pin [P]: 2.1 mm, number of solder pins per potential: 1, plug-in system: COMBICON MSTB 2,5, Pin connector pattern alignment: Standard, type of packaging: 44 mm wide tape, Product with pin output on right side

ME 45 OT-MSTBO RD - Upper part of housing

2709480

<https://www.phoenixcontact.com/us/products/2709480>



GMSTBT 2,5 HV/3-ST-7,25 GY7035 - Printed-circuit board connector

2199553

<https://www.phoenixcontact.com/us/products/2199553>



PCB connector, nominal cross section: 2.5 mm², color: light grey, nominal current: 16 A, rated voltage (III/2): 1000 V, contact surface: Tin, contact connection type: Socket, number of rows: 1, number of positions: 3, product range: GMSTBT 2,5 HV/...-ST, pitch: 7.25 mm, connection method: Screw connection with tension sleeve, conductor/PCB connection direction: 0 °, locking clip: - Locking clip, locking: without, mounting: without, type of packaging: packed in cardboard

GMSTBT 2,5 HV/3-ST-7,25 YE - Printed-circuit board connector

1080380

<https://www.phoenixcontact.com/us/products/1080380>



PCB connector, nominal cross section: 2.5 mm², color: yellow, nominal current: 16 A, rated voltage (III/2): 1000 V, contact connection type: Socket, number of rows: 1, number of positions: 3, product range: GMSTBT 2,5 HV/...-ST, pitch: 7.25 mm, connection method: Screw connection with tension sleeve, conductor/PCB connection direction: 0 °, locking clip: - Locking clip, locking: without, mounting: without, type of packaging: packed in cardboard

ME 45 OT-MSTBO RD - Upper part of housing

2709480

<https://www.phoenixcontact.com/us/products/2709480>



GMSTBT 2,5 HV/3-ST-7,25 BUGY - Printed-circuit board connector

2201084

<https://www.phoenixcontact.com/us/products/2201084>



PCB connector, nominal cross section: 2.5 mm², color: blue grey, nominal current: 16 A, rated voltage (III/2): 1000 V, contact connection type: Socket, number of rows: 1, number of positions: 3, product range: GMSTBT 2,5 HV/..-ST, pitch: 7.25 mm, connection method: Screw connection with tension sleeve, conductor/PCB connection direction: 0 °, locking clip: - Locking clip, locking: without, mounting: without, type of packaging: packed in cardboard

GMSTBT 2,5 HV/3-ST-7,25 BK - Printed-circuit board connector

2202104

<https://www.phoenixcontact.com/us/products/2202104>



PCB connector, nominal cross section: 2.5 mm², color: black, nominal current: 16 A, rated voltage (III/2): 1000 V, contact connection type: Socket, number of rows: 1, number of positions: 3, product range: GMSTBT 2,5 HV/..-ST, pitch: 7.25 mm, connection method: Screw connection with tension sleeve, conductor/PCB connection direction: 0 °, locking clip: - Locking clip, locking: without, mounting: without, type of packaging: packed in cardboard

ME 45 OT-MSTBO RD - Upper part of housing

2709480

<https://www.phoenixcontact.com/us/products/2709480>

ME 45 UTG RD - Mounting base housing

2709477

<https://www.phoenixcontact.com/us/products/2709477>



DIN rail housing, Lower housing part with metal foot catch, tall design, without vents, width: 45.2 mm, height: 99 mm, depth: 107.3 mm, color: red (3001), cross connection: without bus connector, number of positions cross connector: not relevant

ME 45 UT RD - Mounting base housing

2709972

<https://www.phoenixcontact.com/us/products/2709972>



DIN rail housing, Lower housing part with metal foot catch, tall design, with vents, width: 45.2 mm, height: 99 mm, depth: 107.3 mm, color: red (3001), cross connection: without bus connector, number of positions cross connector: not relevant

ME 45 OT-MSTBO RD - Upper part of housing

2709480

<https://www.phoenixcontact.com/us/products/2709480>



ME 45 UT/FE1 TBUS RD - Mounting base housing

2202393

<https://www.phoenixcontact.com/us/products/2202393>



DIN rail housing, Lower housing part with metal foot catch, with FE contact, tall design, with vents, width: 45.2 mm, height: 99 mm, depth: 107.3 mm, color: red (3001), cross connection: DIN rail connector (optional), number of positions cross connector: 5

Accessories

ME B-22,5 MSTBO RD - Filler plugs

2854542

<https://www.phoenixcontact.com/us/products/2854542>



DIN rail housing, Filler plug for unoccupied terminal points (MSTBO), width: 20 mm, height: 19.05 mm, depth: 12.3 mm, color: red (3001)

ME 45 OT-MSTBO RD - Upper part of housing

2709480

<https://www.phoenixcontact.com/us/products/2709480>

HS LC-H-D3/ R1XC1 - Fiber optic

2202313

<https://www.phoenixcontact.com/us/products/2202313>

Multiple light guides, passive, rigid, can be used for the ME, ME-MAX, ME-IO, ME PLC, and EH housing ranges (housing must be processed)



HS LC-H-5X2/ R1XC1 - Fiber optic

2202314

<https://www.phoenixcontact.com/us/products/2202314>

Single light guide, passive, rigid, can be used for the ME, ME-MAX, ME-IO, ME PLC, and EH housing ranges (housing must be processed)



ME 45 OT-MSTBO RD - Upper part of housing

2709480

<https://www.phoenixcontact.com/us/products/2709480>

HS LC-H-D3/ R2XC1-5,08 - Fiber optic

2202315

<https://www.phoenixcontact.com/us/products/2202315>

Multiple light guides, passive, rigid, can be used for the ME, ME-MAX, ME-IO, ME PLC, and EH housing ranges (housing must be processed)



HS LC-H-D2/ R2XC1-2,54 - Fiber optic

2202316

<https://www.phoenixcontact.com/us/products/2202316>

Multiple light guides with glare protection, passive, rigid, can be used for the ME, ME-MAX, ME-IO, ME PLC, and EH housing ranges (housing must be processed)



ME 45 OT-MSTBO RD - Upper part of housing

2709480

<https://www.phoenixcontact.com/us/products/2709480>

HS LC-H-D2/ R2XC2-2,54 - Fiber optic

2202317

<https://www.phoenixcontact.com/us/products/2202317>



Multiple light guides with glare protection, passive, rigid, can be used for the ME, ME-MAX, ME-IO, ME PLC, and EH housing ranges (housing must be processed)

HS LC-H-D2/ R2XC5-2,54 - Fiber optic

2202318

<https://www.phoenixcontact.com/us/products/2202318>



Multiple light guides with glare protection, passive, rigid, can be used for the ME, ME-MAX, ME-IO, ME PLC, and EH housing ranges (housing must be processed)

ME 45 OT-MSTBO RD - Upper part of housing

2709480

<https://www.phoenixcontact.com/us/products/2709480>

HS LC-H-D2/ R2XC10-2,54 - Fiber optic

2202319

<https://www.phoenixcontact.com/us/products/2202319>

Multiple light guides with glare protection, passive, rigid, can be used for the ME, ME-MAX, ME-IO, ME PLC, and EH housing ranges (housing must be processed)



HS LC-H-D2/ R4XC2-2,54 - Fiber optic

2202320

<https://www.phoenixcontact.com/us/products/2202320>

Multiple light guides with glare protection, passive, rigid, can be used for the ME, ME-MAX, ME-IO, ME PLC, and EH housing ranges (housing must be processed)



ME 45 OT-MSTBO RD - Upper part of housing

2709480

<https://www.phoenixcontact.com/us/products/2709480>

HS LC-H-D2/ R4XC5-2,54 - Fiber optic

2202321

<https://www.phoenixcontact.com/us/products/2202321>



Multiple light guides with glare protection, passive, rigid, can be used for the ME, ME-MAX, ME-IO, ME PLC, and EH housing ranges (housing must be processed)

HS LC-H-D2/ R4XC9-2,54 - Fiber optic

2202322

<https://www.phoenixcontact.com/us/products/2202322>



Multiple light guides with glare protection, passive, rigid, can be used for the ME, ME-MAX, ME-IO, ME PLC, and EH housing ranges (housing must be processed)

ME 45 OT-MSTBO RD - Upper part of housing

2709480

<https://www.phoenixcontact.com/us/products/2709480>



HS LC-H-D2/ R4XC10-2,54 - Fiber optic

2202323

<https://www.phoenixcontact.com/us/products/2202323>



Multiple light guides with glare protection, passive, rigid, can be used for the ME, ME-MAX, ME-IO, ME PLC, and EH housing ranges (housing must be processed)

HS LC-H-D2C/ R2XC1-2,54 - Fiber optic

1036658

<https://www.phoenixcontact.com/us/products/1036658>



Multiple light guides with glare protection, passive, rigid, can be used for the ME, ME-MAX, ME-IO, ME PLC, and EH housing ranges (housing must be processed)

ME 45 OT-MSTBO RD - Upper part of housing

2709480

<https://www.phoenixcontact.com/us/products/2709480>

HS LC-H-D2C/ R2XC2-2,54 - Fiber optic

1043044

<https://www.phoenixcontact.com/us/products/1043044>



Multiple light guides with glare protection, passive, rigid, can be used for the ME, ME-MAX, ME-IO, ME PLC, and EH housing ranges (housing must be processed)

HS LC-H-D2C/ R2XC5-2,54 - Fiber optic

1071310

<https://www.phoenixcontact.com/us/products/1071310>



Multiple light guides with glare protection, passive, rigid, can be used for the ME, ME-MAX, ME-IO, ME PLC, and EH housing ranges (housing must be processed)

ME 45 OT-MSTBO RD - Upper part of housing

2709480

<https://www.phoenixcontact.com/us/products/2709480>

HS LC-H-D2C/ R2XC10-2,54 - Fiber optic

1071314

<https://www.phoenixcontact.com/us/products/1071314>

Multiple light guides with glare protection, passive, rigid, can be used for the ME, ME-MAX, ME-IO, ME PLC, and EH housing ranges (housing must be processed)



HS LC-H-D2C/ R4XC2-2,54 - Fiber optic

1071316

<https://www.phoenixcontact.com/us/products/1071316>

Multiple light guides with glare protection, passive, rigid, can be used for the ME, ME-MAX, ME-IO, ME PLC, and EH housing ranges (housing must be processed)



ME 45 OT-MSTBO RD - Upper part of housing

2709480

<https://www.phoenixcontact.com/us/products/2709480>

HS LC-H-D2C/ R4XC5-2,54 - Fiber optic

1071318

<https://www.phoenixcontact.com/us/products/1071318>



Multiple light guides with glare protection, passive, rigid, can be used for the ME, ME-MAX, ME-IO, ME PLC, and EH housing ranges (housing must be processed)

HS LC-H-D2C/ R4XC9-2,54 - Fiber optic

1071321

<https://www.phoenixcontact.com/us/products/1071321>



Multiple light guides with glare protection, passive, rigid, can be used for the ME, ME-MAX, ME-IO, ME PLC, and EH housing ranges (housing must be processed)

ME 45 OT-MSTBO RD - Upper part of housing

2709480

<https://www.phoenixcontact.com/us/products/2709480>



HS LC-H-D2C/ R4XC10-2,54 - Fiber optic

1071329

<https://www.phoenixcontact.com/us/products/1071329>

Multiple light guides with glare protection, passive, rigid, can be used for the ME, ME-MAX, ME-IO, ME PLC, and EH housing ranges (housing must be processed)



ME-SAS - Shield connection clamp

2853899

<https://www.phoenixcontact.com/us/products/2853899>

Shield connection clamp for terminal points starting from 2.5 mm²



ME 45 OT-MSTBO RD - Upper part of housing

2709480

<https://www.phoenixcontact.com/us/products/2709480>



ME-SAS MINI - Shield connection clamp

2200456

<https://www.phoenixcontact.com/us/products/2200456>

Shield connection clamp for terminal points starting from 1.5 mm²



Phoenix Contact 2023 © - all rights reserved

<https://www.phoenixcontact.com>

Phoenix Contact USA
586 Fulling Mill Road
Middletown, PA 17057, United States
(+717) 944-1300
info@phoenixcon.com