

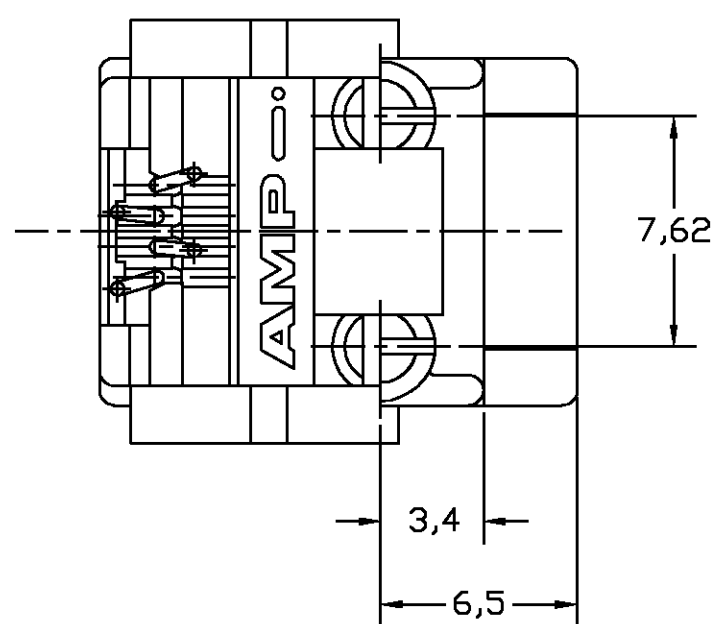
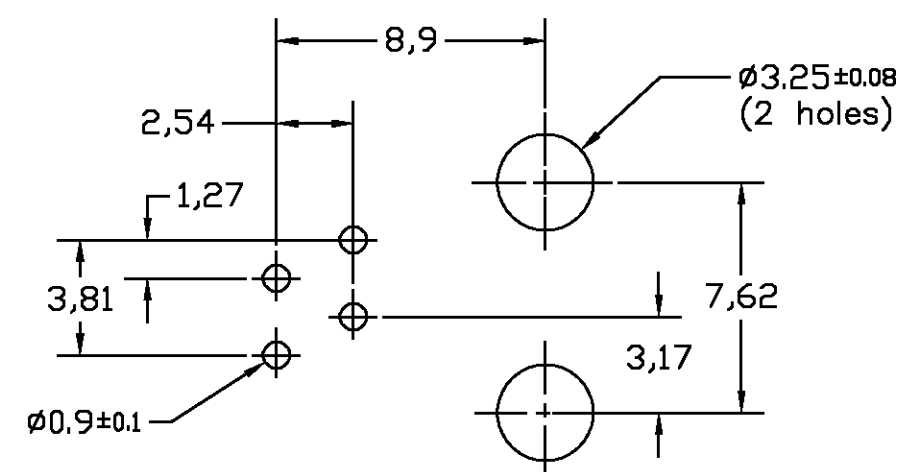
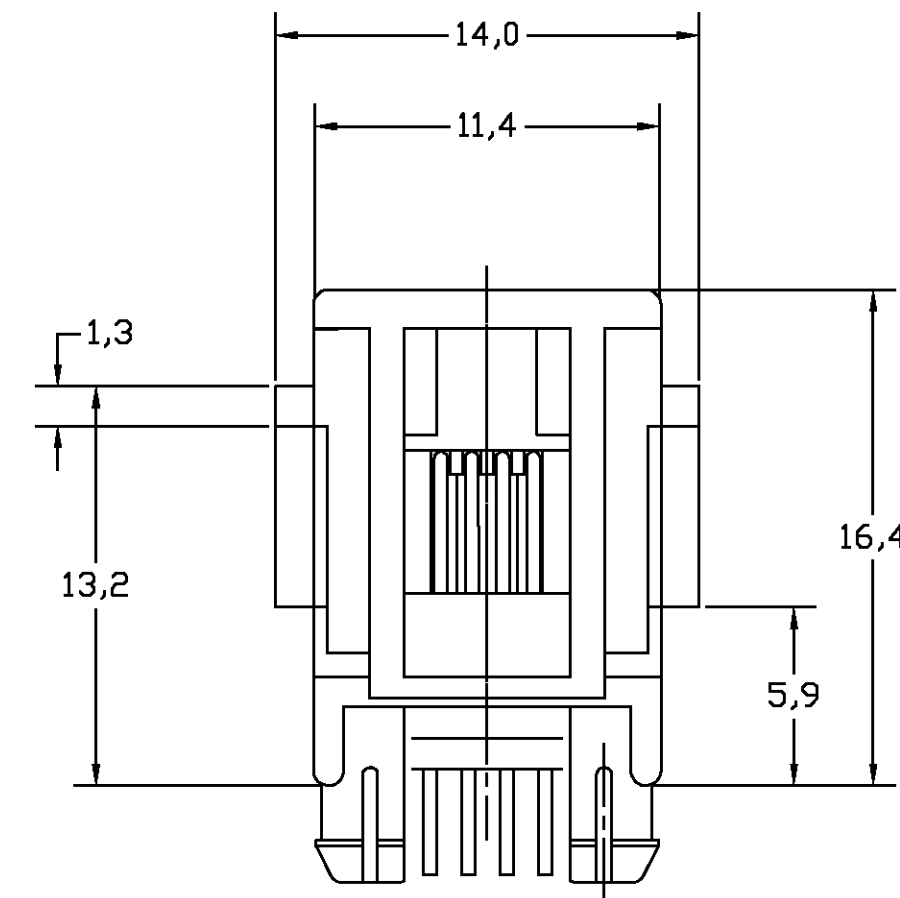
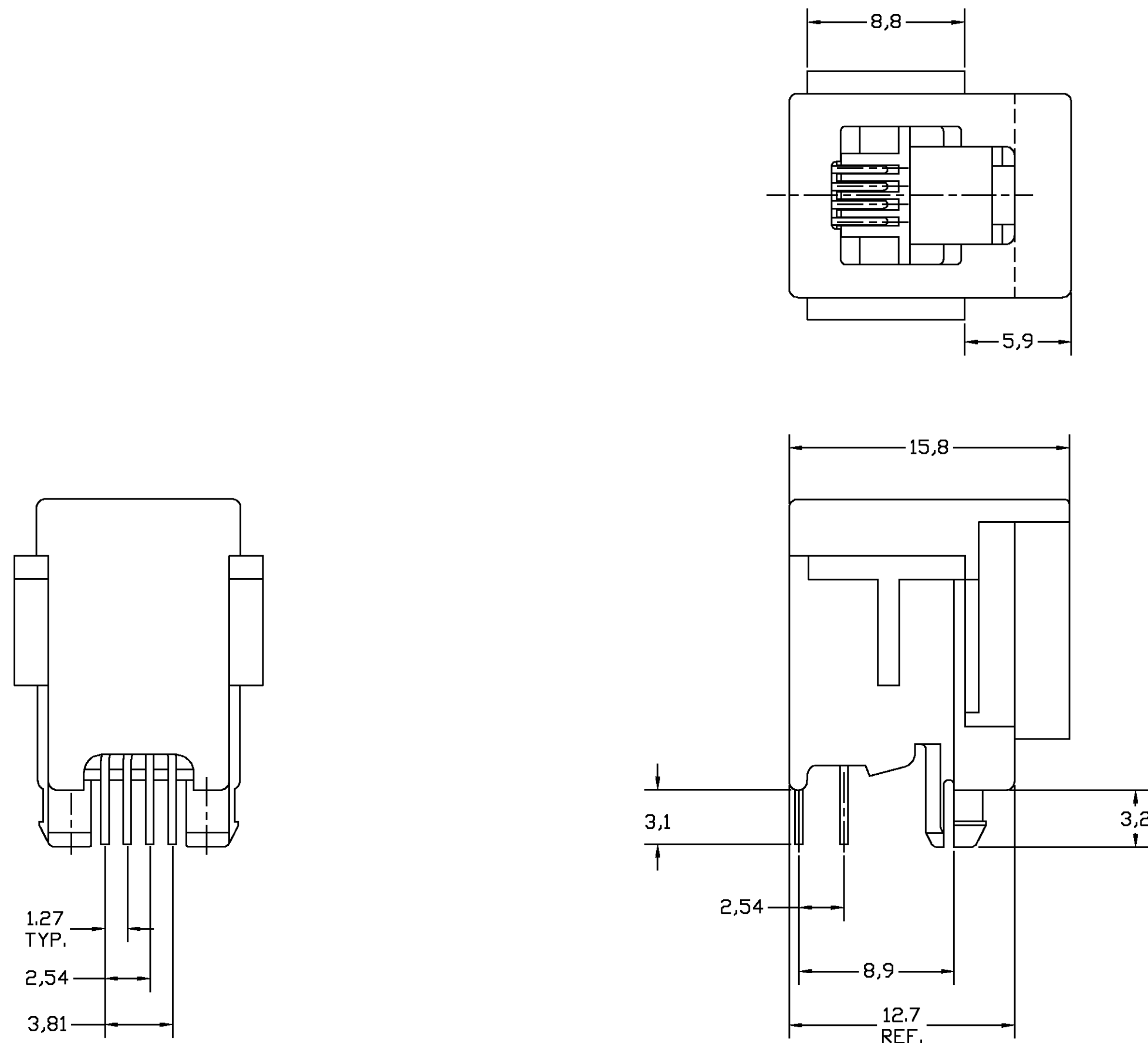
DO NOT SCALE  
DIMENSIONS IN mm

METRIC

THIRD ANGLE  
PROJECTION

NOTES:

- 1 TOLERANCES UNLESS OTHERWISE SPECIFIED:  $\pm 0,15$
- 2 FOR APPLICATION INFORMATION SEE AMP SPEC. 114-19019.
- 3 FOR PERFORMANCE REQUIREMENTS SEE AMP SPEC. 108-19064



PRINTED CIRCUIT BOARD LAYOUT

VIEW SHOWN IS CIRCUIT (NONCOMPONENT) SIDE OF BOARD.  
TOLERANCES UNLESS OTHERWISE SPECIFIED:  $\pm 0,05$ .  
PRINTED CIRCUIT BOARD THICKNESS: 1,6 mm NOMINAL.

BULK PACKAGED 1000pcs IN A BOX	4 POSITIONS/ 4 CONTACTS.	IN CONTACT AREA: 1,2 $\mu$ m MIN. SEL. GOLD OVER 1,2 $\mu$ m MIN. NICKEL		HOUSING: PTB,UL 94-HB COLOR: BLACK	216562-3
TAPE MOUNTED 700pcs ON A 60cm DIA. REEL		SOLDER TINES: 2,0 $\mu$ m MIN. TIN-LEAD OVER 1,2 $\mu$ m MIN. NICKEL		CONTACTS: PHOSPHOR BRONZE	216562-1
PACKAGING	REMARKS	FINISH		MATERIAL	PARTNUMBER
CUSTOMER DRAWING					FOR REFERENCE ONLY WILL NOT BE UPDATED
© COPYRIGHT 19 BY AMP HOLLAND B.V. ALL INTERNATIONAL RIGHTS RESERVED. AMP PRODUCTS MAY BE COVERED BY U.S. AND FOREIGN AND/OR PATENTS PENDING. THIS DRAWING IS UNPUBLISHED RELEASED FOR PUBLICATION					19
J	SR10-0438-02	KV	KV	08 OCT 02	
H1	OU60-0073-00	KV	KV	10 AUG 00	
H	EH00-1376-99	MVE	MVE	22 JUL 99	
G	EH00-0939-99	JG	ME	APR 99	
F	EH00-0244-98	MVE	GC	15 FEB 98	
LTR.	REVISION RECORD	DR.	CHK.	DATE	
DR.: Lv.d.HEJNDEN	CHK.: C.STERKEN	APP.: Lv.SOEST	DWG.No.		REV.LTR.
DATE: 1 SEP 89	DATE:	DATE:	C-216562		J
					SHEET
					1 OF 1
					A2