

NHD-C12864WM-09-FSW-FBW-3V3-M

COG (Chip-On-Glass) Liquid Crystal Display Module

NHD-	Newhaven Display
C12864-	128 x 64 pixels
WM-	Model
F-	Transflective
SW-	Side White LED backlight
F-	FSTN (+)
B-	6:00 view
W-	Wide Temp (-20°C ~ +70°C)
3V3-	3Vdd, 3Volt Backlight
M-	Mounting Holes
	RoHS Compliant

Newhaven Display International, Inc.

2511 Technology Drive, Suite 101

Elgin IL, 60124

Ph: 847-844-8795

Fax: 847-844-8796

www.newhavendisplay.com

nhtech@newhavendisplay.com

nhsales@newhavendisplay.com

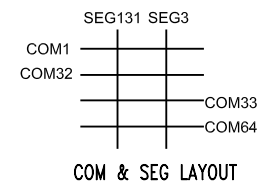
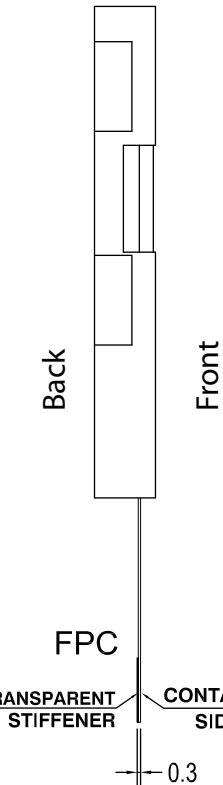
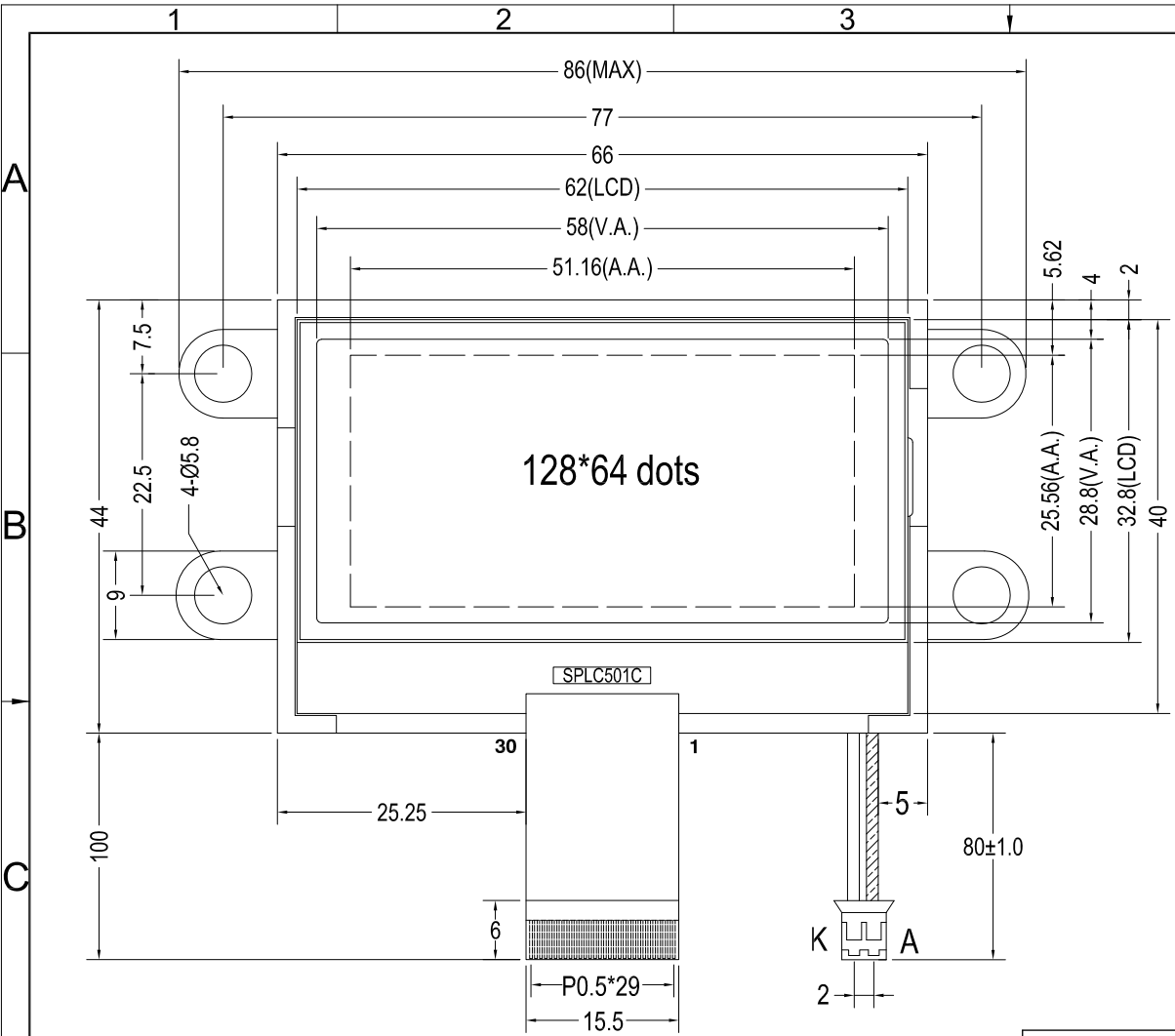
Document Revision History

Revision	Date	Description	Changed by
0	1/22/2007	Initial Release	-
1	8/7/2009	User guide reformat	BE
2	10/13/2009	Updated Electrical Characteristic	MC
3	2/16/2010	Mechanical drawing updated	BE
4	2/19/2010	Block diagram updated	BE
5	5/14/2010	Electrical Characteristic update	MP

Functions and Features

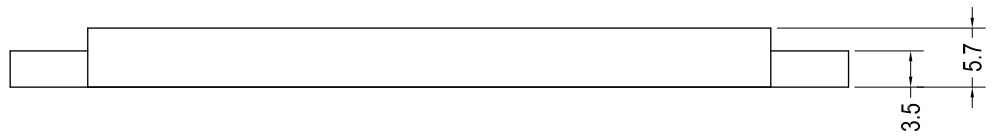
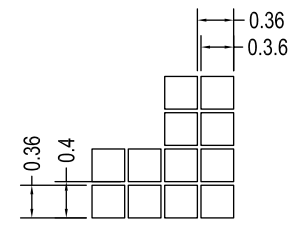
- 128 x 64 pixels
- Built-in SPLC501C controller
- Parallel/Serial mode
- 1/64 duty cycle; 1/9 bias
- RoHS Compliant

REV	DESCRIPTION:	DATE



PIN ASSIGNMENT

1	CS2
2	RESETB
3	RS
4	RW
5	E
6	DB0
7	DB1
8	DB2
9	DB3
10	DB4
11	DB5
12	DB6
13	DB7
14	VSS
15	VOUT
16	C3-
17	C1-
18	C1+
19	C2-
20	C2+
21	VSS
22	VDD
23	V1
24	V2
25	V3
26	V4
27	V5
28	VR
29	C86
30	PS



Specification:

- 1). Driving: Duty: 1/64, 1/9 Bias, Vlcd: 9.5V
- 2). Viewing Direction: 6 O'Clock
- 3). Display mode: FSTN/Positive/Transflective
- 4). Operating Temp.: -20°C ~ +70°C
Storage Temp.: -30°C ~ +80°C
- 5). Driver: SPL5010C
- 6). Unmarked Tolerances: + 0.2mm
- 7). Backlight: Side White

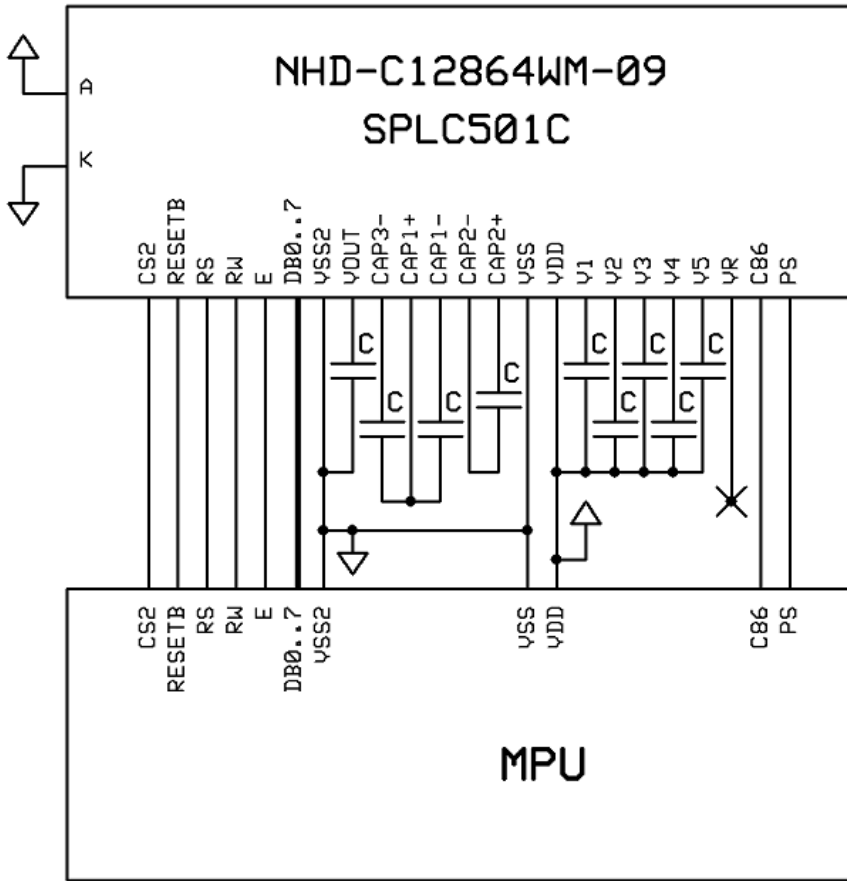
Model Name: NHD-C12864WM-09-FSW-FBW-3V3-M		<h1>Newhaven Display</h1>	
GENERAL TOL: ± 0.2			
APPROVALS	DATE	DRAWN NO.	SCALE: 1:1
DWN: Qiwei Qiu			
CHK:		SIZE: A4	UNIT: mm
APP: Guoxiang Ye			Page: 1-1

Pin Description and Wiring Diagram

Pin No.	Symbol	External Connection	Function Description	
1	CS2	MPU	Active HIGH chip select	
2	RESETB	MPU	Active LOW Reset signal	
3	RS	MPU	Register select signal. RS=0: Command, RS=1: Data	
4	RW	MPU	Read/write select signal. R/W=1: Read R/W=0: Write	
5	E	MPU	Operation enable signal. Falling edge triggered.	
6	DB0	MPU	Parallel Interface DB0-DB7: Bi-directional 8-bit data bus Serial Interface: DB0-DB5: No connect in serial mode DB6= Serial clock (CLK) DB7= Serial data input (SDA)	
7	DB1	MPU		
8	DB2	MPU		
9	DB3	MPU		
10	DB4	MPU		
11	DB5	MPU		
12	DB6	MPU		
13	DB7	MPU		
14	VSS2	Power Supply		Ground (reference for voltage step-up circuit)
15	VOOUT	Power Supply		Connect to 1uF cap to VSS2 (PIN-14)
16	CAP3-	Power Supply		Connect to 1uF cap to CAP1+ (PIN-17)
17	CAP1+	Power Supply		Connect to 1uF cap to CAP3-(PIN16) and CAP1-(PIN18)
18	CAP1-	Power Supply		Connect to 1uF cap to CAP1+ (PIN-17)
19	CAP2-	Power Supply	Connect to 1uF cap to CAP2+ (PIN-20)	
20	CAP2+	Power Supply	Connect to 1uF cap to CAP2- (PIN-19)	
21	VSS	Power Supply	Ground	
22	VDD	Power Supply	Power supply for LCD and logic (3.0V)	
23	V1	Power Supply	1.0uF-2.2uF cap to VDD	
24	V2	Power Supply	1.0uF-2.2uF cap to VDD	
25	V3	Power Supply	1.0uF-2.2uF cap to VDD	
26	V4	Power Supply	1.0uF-2.2uF cap to VDD	
27	V5	Power Supply	1.0uF-2.2uF cap to VDD	
28	VR	-	No Connect	
29	C86	MPU	Select MPU interface pin. C86=H: 6800; C86=L: 8080	
30	PS	MPU	Parallel/Serial select. PS= H: Parallel; PS=L: Serial	
A		Power Supply	Power supply for LED Backlight (+3.0V)	
K		Power Supply	Ground for Backlight	

Recommended LCD connector: 0.5mm Pitch, 30 pin FFC. Molex p/n: 52892-3095

Backlight connector: A2001H-2P **Mates with:** A2001WR-S-2P



Electrical Characteristics

Item	Symbol	Condition	Min.	Typ.	Max.	Unit
Operating Temperature Range	TOP	Absolute Max	-20	-	+70	°C
Storage Temperature Range	TST	Absolute Max	-30	-	+80	°C
Supply Voltage	VDD		2.4	3.3	5.5	V
Supply Current	IDD	VDD=3.3v	0.6	-	1.0	mA
Supply for LCD (contrast)	VDD-V0	-	-	-	9.5	V
"H" Level input	Vih		0.7VDD	-	VDD	V
"L" Level input	Vil		Vss	-	0.3VDD	V
"H" Level output			-	-	-	-
"L" Level output			-	-	-	-
LED Backlight voltage	VLED	-	-	3.0	3.5	V
LED Backlight current	ILED	VLED=3.0	-	10	20	mA

Optical Characteristics

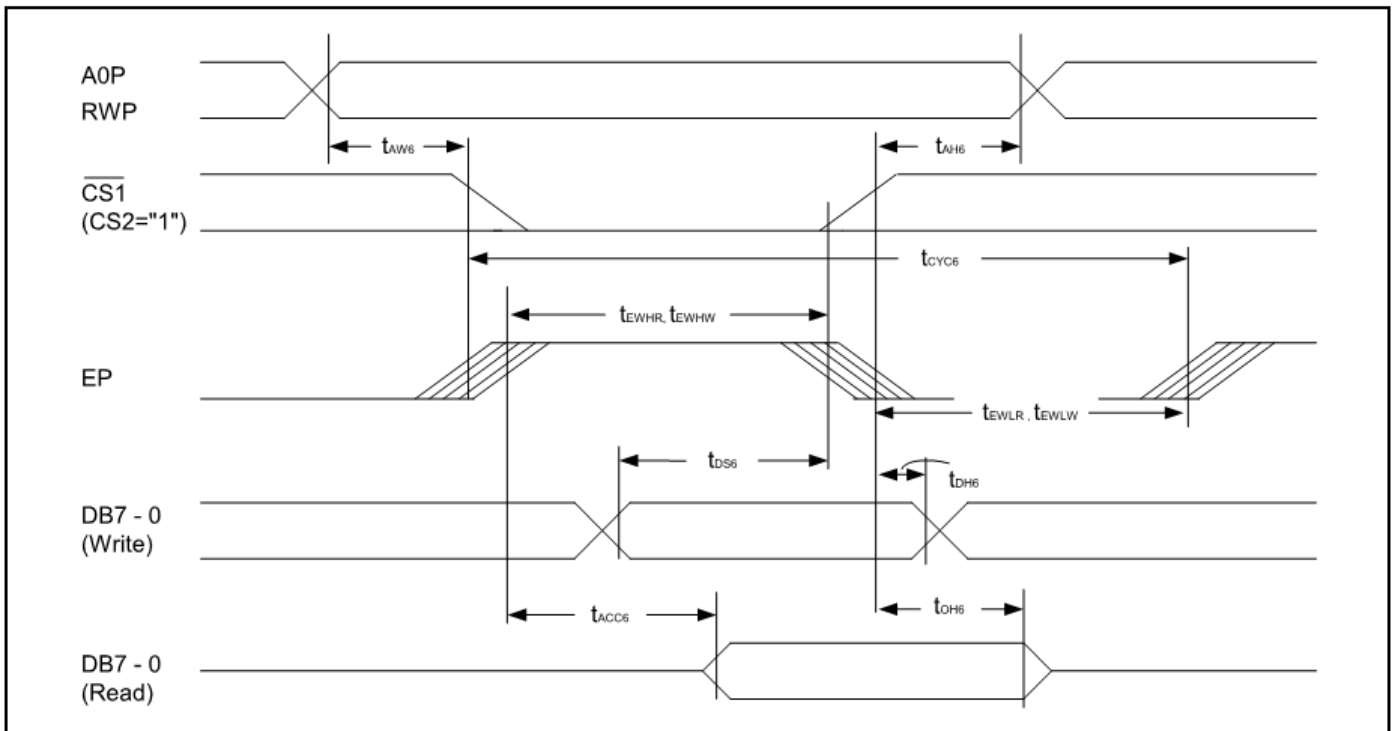
Item	Symbol	Condition	Min.	Typ.	Max.	Unit
Viewing Angle - Vertical	θ	CR \geq 2	-60	-	+35	°
Viewing Angle - Horizontal	Φ	CR \geq 2	-40	-	+40	°
Contrast Ratio	CR		-	6	-	-
Response Time (rise)	Tr		-	150	250	ms
Response Time (fall)	Tf		-	150	250	ms

Controller Information

Built-in SPLC501C. Download specification at http://www.newhavendisplay.com/app_notes/SPLC501C.pdf

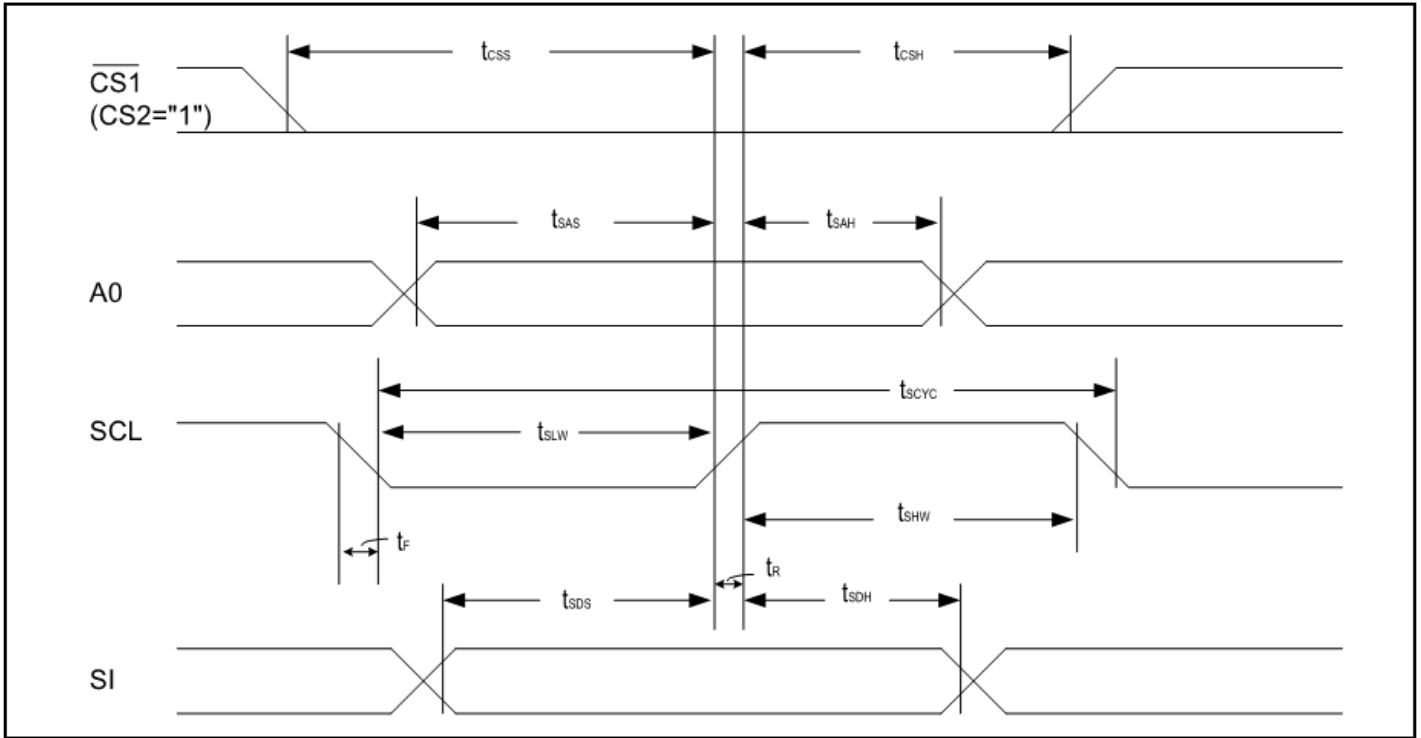
Timing Characteristics

8.6.2. System bus read/write characteristics 2 (6800 series MPU)



Item	Signal	Symbol	Condition	Rating		Units
				Min.	Max.	
Address hold time	A0P	t_{AH6}		0	-	ns
Address setup time	A0P	t_{AW6}		0	-	ns
System cycle time	A0P	t_{CYC6}		166	-	ns
Data setup time	DB7 - 0	t_{DS6}	$C_L = 100pF$	30	-	ns
Data hold time		t_{DH6}		10	-	ns
Access time		t_{ACC6}		-	70	ns
Output disable time		t_{OH6}		10	50	ns
Enable H pulse time	Read	EP		70	-	ns
	Write			t_{EWHW}	30	-
Enable L pulse time	Read	EP		30	-	ns
	Write			t_{EWLW}	30	-

The serial interface



Item	Signal	Symbol	Condition	Rating		Units
				Min.	Max.	
Serial Clock Period		tSCYC	-	250	-	ns
SCL 'H' pulse width	SCL	tSHW	-	100	-	ns
SCL 'L' pulse width		tSLW	-	100	-	ns
Address setup time		tSAS	-	150	-	ns
Address hold time	A0P	tSAH	-	150	-	ns
Data setup time		tSDS	-	100	-	ns
Data hold time	SI	tSDH	-	100	-	ns
CS-SCL time	CS	tCSS	-	150	-	ns
		tCSH	-	150	-	ns

Table of Commands

Command	Command Code											Function
	A0P	RD	WR	DB7	DB6	DB5	DB4	DB3	DB2	DB1	DB0	
1). Display ON/OFF	0	1	0	1	0	1	0	1	1	1	0	LCD display ON/OFF 0: OFF, 1: ON
2). Display start line set	0	1	0	0	1	Display start address					1	Sets the display RAM display start line address
3). Page address set	0	1	0	1	0	1	1	Page address				Sets the display RAM page address
4). Column address set upper bit	0	1	0	0	0	0	1	Most significant column address				Sets the most significant 4 bits of the display RAM column address.
Column address set lower bit	0	1	0	0	0	0	0	Least significant column address				Set the least significant 4 bits of the display RAM column address.
5). Status read	0	0	1	Status				0	0	0	0	Reads the status data
6). Display data write	1	1	0	Write data								Writes to the display RAM
7). Display data read	1	0	1	Read data								Reads from the display RAM
8). ADC select	0	1	0	1	0	1	0	0	0	0	0	Sets the display RAM address SEG output correspondence 0: normal, 1:reverse
9). Display normal/reverse	0	1	0	1	0	1	0	0	1	1	0	Sets the LCD display normal/ reverse 0: normal, 1:reverse
10). Display all points ON/OFF	0	1	0	1	0	1	0	0	1	0	0	Display all points 0: normal display 1: all points ON
11). LCD bias set	0	1	0	1	0	1	0	0	0	1	0	Sets the LCD driver voltage bias ratio SPLC501C.....0:1/9, 1:1/7
12). Read/modify/write	0	1	0	1	1	1	0	0	0	0	0	Column address increment At write: +1 At read: 0
13). End	0	1	0	1	1	1	0	1	1	1	0	Clear read/modify/write
14). Reset	0	1	0	1	1	1	0	0	0	1	0	Internal reset
15). Common output mode select	0	1	0	1	1	0	0	0	*	*	*	Select COM output scan direction 0: normal direction, 1: reverse direction
16). Power control set	0	1	0	0	0	1	0	1	Operating mode			Select internal power supply operating mode
17). V _S voltage regulator internal resistor ratio set	0	1	0	0	0	1	0	0	Resistor ratio			Select internal resistor ratio (Rb/Ra) mode
18). Electronic volume mode set	0	1	0	1	0	0	0	0	0	0	1	Set the V _S output voltage electronic volume register
Electronic volume register set	0	1	0	*	*	Electronic volume value						

Command	Command Code											Function
	A0P	\overline{RD}	\overline{WR}	DB7	DB6	DB5	DB4	DB3	DB2	DB1	DB0	
19). Static indicator ON/OFF Static indicator Register set				1	0	1	0	1	1	0	0	0: OFF, 1: ON 1 Set the flashing mode
20). Page Blink Page selection	0	1	0	1	1	0	1	0	1	0	1	P7 - 0: 1 - blinking page 0 - no blinking, normal display
21). Driving Mode Set Mode selection	0	1	0	1	1	0	1	0	0	1	0	Set the driving mode register Driving capability (D1, D0): (1,1)>(0,0)>(0,1)>(1,0)
22). Power saver												Display OFF and display all points ON compound command
23). NOP	0	1	0	1	1	1	0	0	0	1	1	Command for non-operation
24). Test	0	1	0	1	1	1	1	*	*	*	*	Command for IC test. Do not use this command

Example Initialization Program

```
'-----  
Sub Init  
Reset P3.7          'set Read/write to '0' for write  
Reset P3.0          'RS  
Set P3.1            'reset  
Reset P3.4 'E  
'Set P3.3  
'Reset P3.3  
Waitms 2  
'Set P3.3  
Waitms 20  
A = &HA2            '1/9 BIAS  
Call Writecom  
A = &HA0            'ADC SELECT , NORMAL  
Call Writecom  
A = &HC8            'COM OUTPUT REVERSE  
Call Writecom  
A = &HA4            'DISPLAY ALL POINTS NORMAL  
Call Writecom  
A = &H40            'DISPLAY START LINE SET  
Call Writecom  
A = &H25            'INTERNAL RESISTOR RATIO  
Call Writecom  
A = &H81            'ELECTRONIC VOLUME MODE SET  
Call Writecom  
A = &H10            'ELECTRONIC VOLUME  
Call Writecom  
A = &H2F            'POWER CONTROLLER SET  
Call Writecom  
A = &HAF            'DISPLAY ON  
Call Writecom  
End Sub
```

```
'-----  
Sub Writecom  
Reset P3.0          'A0 low  
Reset P3.7          'R/W low  
Set P3.6            'CS2  
Set P3.4            'E  
P1 = A  
Reset P3.4  
Reset P3.6  
Reset P3.7  
End Sub
```

```
Sub Writedata  
Set P3.0            'A0 high  
Reset P3.7          'R/W low  
Set P3.6            'CS2  
Set P3.4            'E  
P1 = A  
Reset P3.4  
Reset P3.6  
Reset P3.7  
End Sub  
'-----
```

Quality Information

Test Item	Content of Test	Test Condition	Note
High Temperature storage	Endurance test applying the high storage temperature for a long time.	+80°C , 48hrs	2
Low Temperature storage	Endurance test applying the low storage temperature for a long time.	-30°C , 48hrs	1,2
High Temperature Operation	Endurance test applying the electric stress (voltage & current) and the high thermal stress for a long time.	+70°C 48hrs	2
Low Temperature Operation	Endurance test applying the electric stress (voltage & current) and the low thermal stress for a long time.	-20°C , 48hrs	1,2
High Temperature / Humidity Operation	Endurance test applying the electric stress (voltage & current) and the high thermal with high humidity stress for a long time.	+40°C , 90% RH , 48hrs	1,2
Thermal Shock resistance	Endurance test applying the electric stress (voltage & current) during a cycle of low and high thermal stress.	-0°C,30min -> 25°C,5min -> 50°C,30min = 1 cycle 10 cycles	
Vibration test	Endurance test applying vibration to simulate transportation and use.	10-55Hz , 15mm amplitude. 60 sec in each of 3 directions X,Y,Z For 15 minutes	3
Static electricity test	Endurance test applying electric static discharge.	VS=800V, RS=1.5kΩ, CS=100pF One time	

Note 1: No condensation to be observed.

Note 2: Conducted after 4 hours of storage at 25°C, 0%RH.

Note 3: Test performed on product itself, not inside a container.

Precautions for using LCDs/LCMs

See Precautions at www.newhavendisplay.com/specs/precautions.pdf

Warranty Information and Terms & Conditions

http://www.newhavendisplay.com/index.php?main_page=terms