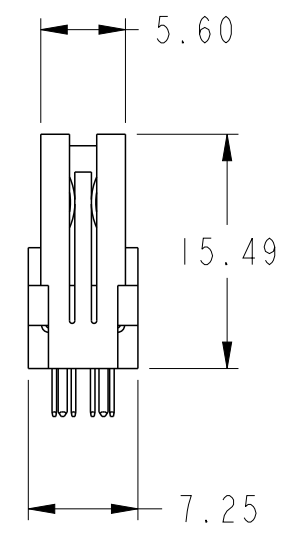
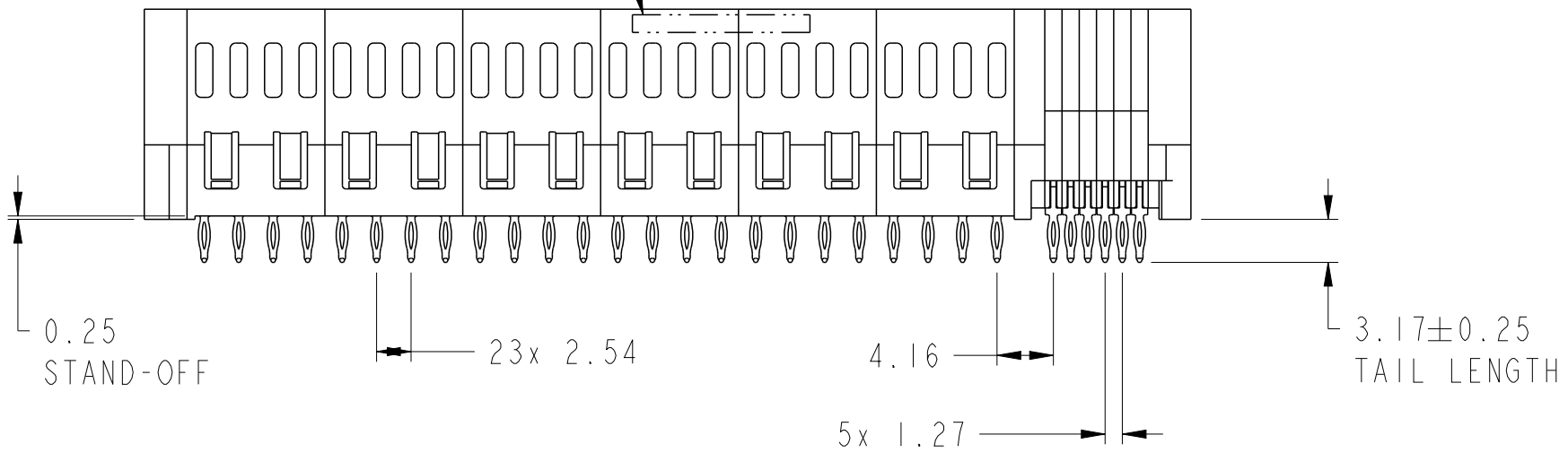


ORIENTATION KEY
(SEE TABLE 2)

NOTE 1

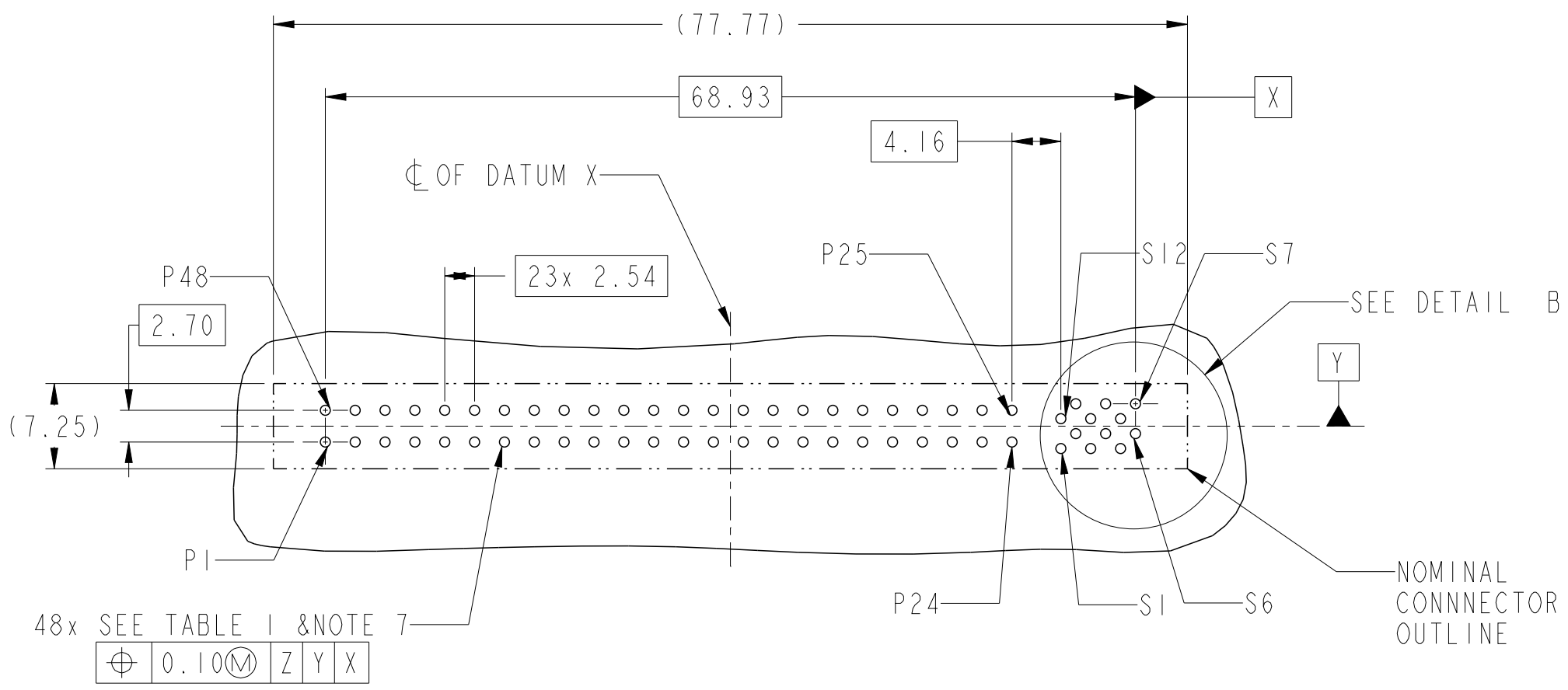


Copyright FCI.

spec ref		dr	Jackie Huang	2014/06/18	projection	MM	size	A3	scale	2:1
tolerance std		eng	Hai-Ling Liu	2014/07/02			ecn no		-	
TOLERANCES UNLESS OTHERWISE SPECIFIED		chr	-	-			rel level		Released	
surface	<input checked="" type="checkbox"/>	linear	0.X	±0.50		VERT RECP 48HP+12S HPCE MEZZANINE	dwg no 10129703	rev		A
			0.XX	±0.25				-		
			0.XXX	±0.10				-		
		angular	0°	±2°	www.fci.com	cat. no.	-	Product - Customer Drw	sheet 1 of 4	

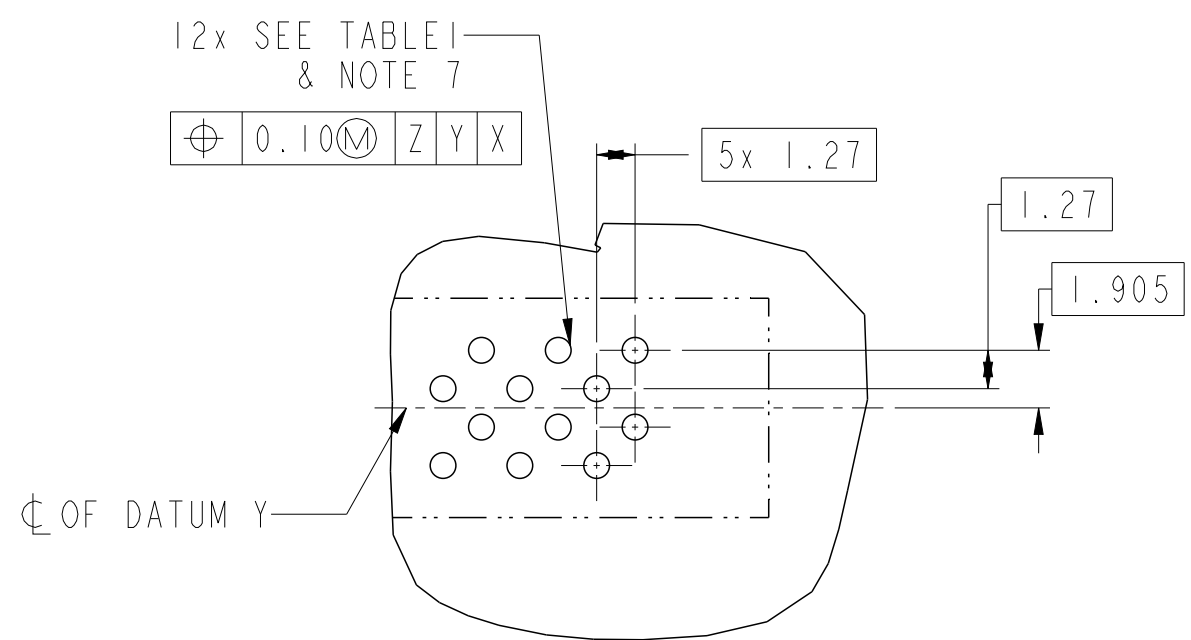
A

B



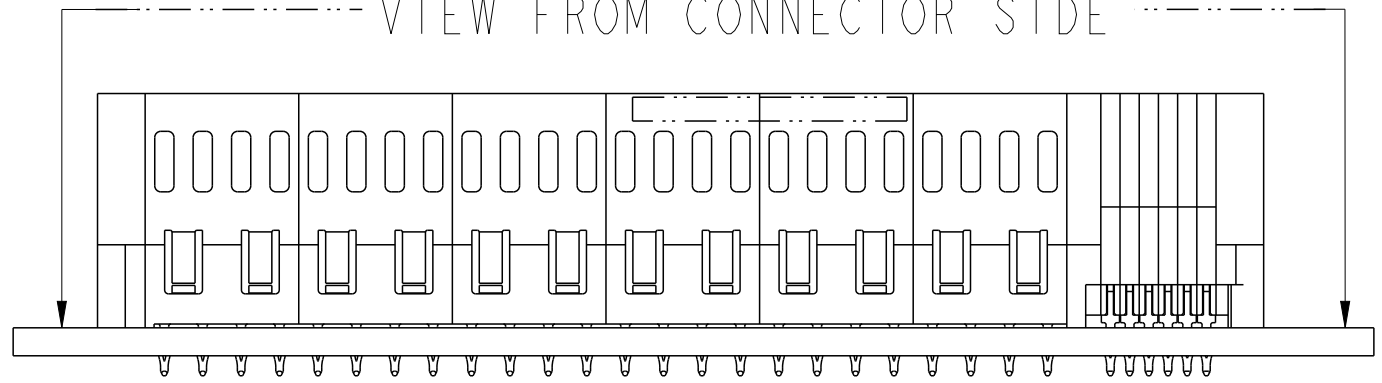
RECOMMENDED PCB LAYOUT
DIMENSION TOLERANCE ± 0.05mm

C



DETAIL B
SCALE 4:1

RECOMMENDED PCB LAYOUT
VIEW FROM CONNECTOR SIDE



dr	Jackie Huang	2014/06/18	projection	MM	size	A3	scale	2:1
eng	Hai-Ling Liu	2014/07/02			ecn no		-	
chr	-	-			rel level		Released	
appr	Pei-Ming Zheng	2014/07/02	product family		-		Released	
			VERT RECP 48HP+12S HPCE MEZZANINE			dwg no 10129703		rev A
www.fci.com			cat. no.		-		Product - Customer Drw	

Copyright FCI.
 FCI

1

2

3

4

A

B

C

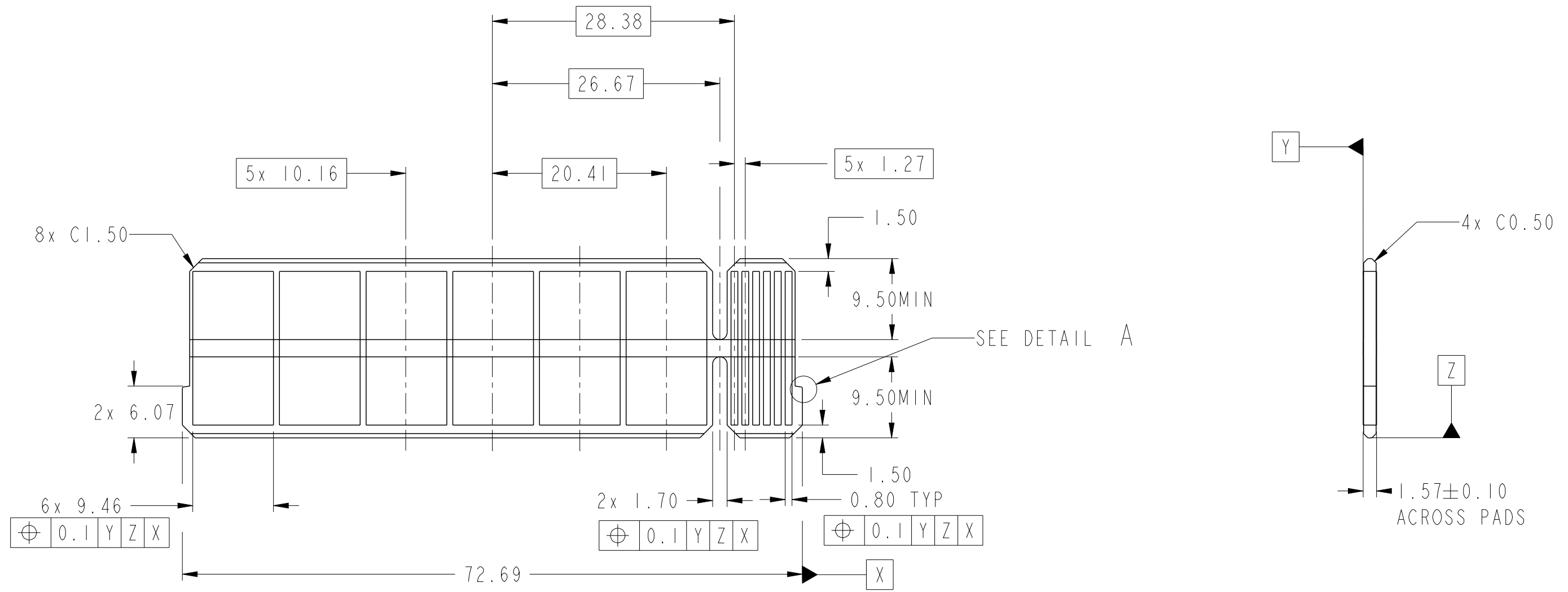
D

A

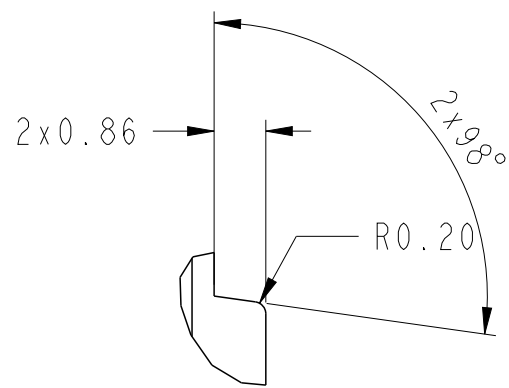
B

C

D



RECOMMENDED EDGE CARD LAYOUT
 DIMENSION TOLERANCE ± 0.05 mm



DETAIL A
 SCALE 8:1

dr	Jackie Huang	2014/06/18	projection	MM	size	A3	scale	2:1
eng	Hai-Ling Liu	2014/07/02			ecn no			
chr	-	-			-			
appr	Pei-Ming Zheng	2014/07/02	product family	-	rel level			
			VERT RECP 48HP+12S HPCE MEZZANINE		dwg no 10129703	rev A		
www.fci.com			cat. no.	-	Product - Customer Drw		sheet 3 of 4	

Copyright FCI.

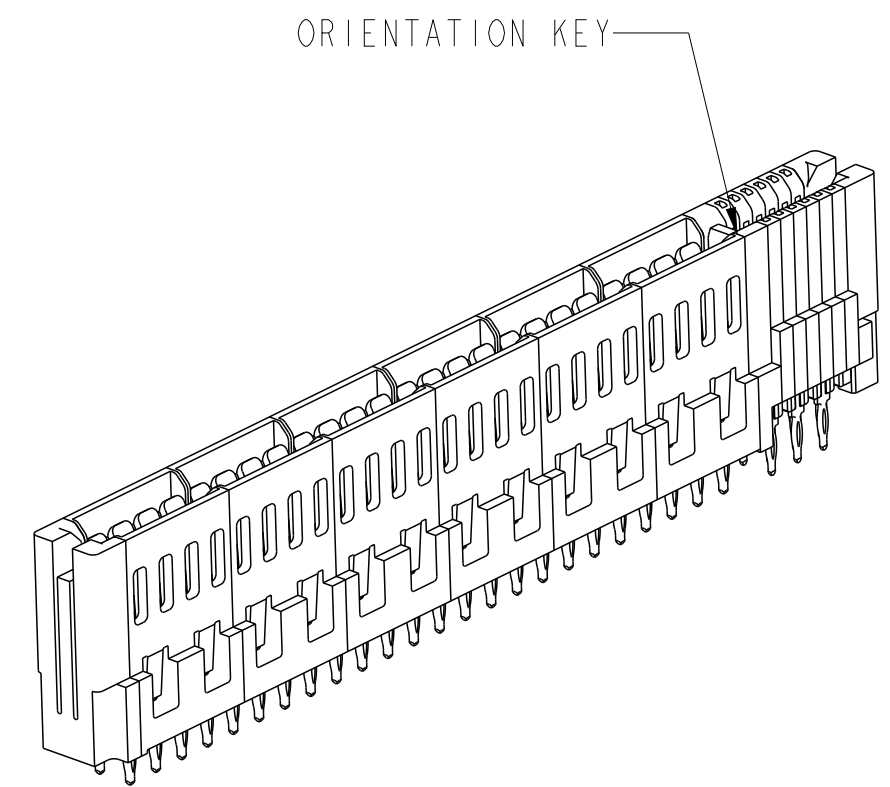
CONTACT TYPE	TOP LAYER DESCRIPTION	TABLE 1 (HPCE / PRESS-FIT TAILS PLATED THROUGH-HOLE REQUIREMENTS)				
		DRILLED HOLE DIAMETER	COPPER THICKNESS	TIN-LEAD THICKNESS	TIN THICKNESS	FINISHED HOLE DIAMETER
POWER & SIGNAL	TIN-LEAD	0.81-0.86(0.85 DRILL)	0.025-0.050	0.005-0.015	--	0.65-0.80
	IMMERSION TIN	0.81-0.86(0.85 DRILL)	0.025-0.050	--	0.9-1.5um	0.70-0.80
	COPPER	0.81-0.86(0.85 DRILL)	0.025-0.050	--	--	0.70-0.80

PART NUMBER	ORIENTATION KEY
10129703-001LF	YES
10129703-002LF	NO

TABLE 2

NOTES:

- CONNECTOR MATERIALS:
 HOUSING: HIGH TEMPERATURE THERMAL PLASTIC, BLACK
 UL 94V-0 COMPLIANT
 CONTACTS: HIGH PERFORMANCE COPPER ALLOY.
- CONTACT FINISH REF. GS-12-604 SECTION 5.2.
- PRODUCT SPECIFICATION: GS-12-604.
- APPLICATION SPECIFICATION: GS-20-128.
- PRODUCT MARKING (FCI - PART NUMBER & DATE CODE) ON HOUSING IN AREA SHOWN.
- PACKAGING MEETS FCI SPECIFICATION GS-14-937.
- ALL HOLE SIZES ARE FINISHED HOLE SIZES.



dr	Jackie Huang	2014/06/18	projection	MM	size	A3	scale	2:1
eng	Hai-Ling Liu	2014/07/02			ecn no			
chr	-	-			-			
appr	Pei-Ming Zheng	2014/07/02	product family	-	rel level			
			title VERT RECP 48HP+12S HPCE MEZZANINE			dwg no 10129703		rev A
www.fci.com			cat. no.		Product - Customer Drw			sheet 4 of 4

Copyright FCI.