

A

B

C

D

A

B

C

D

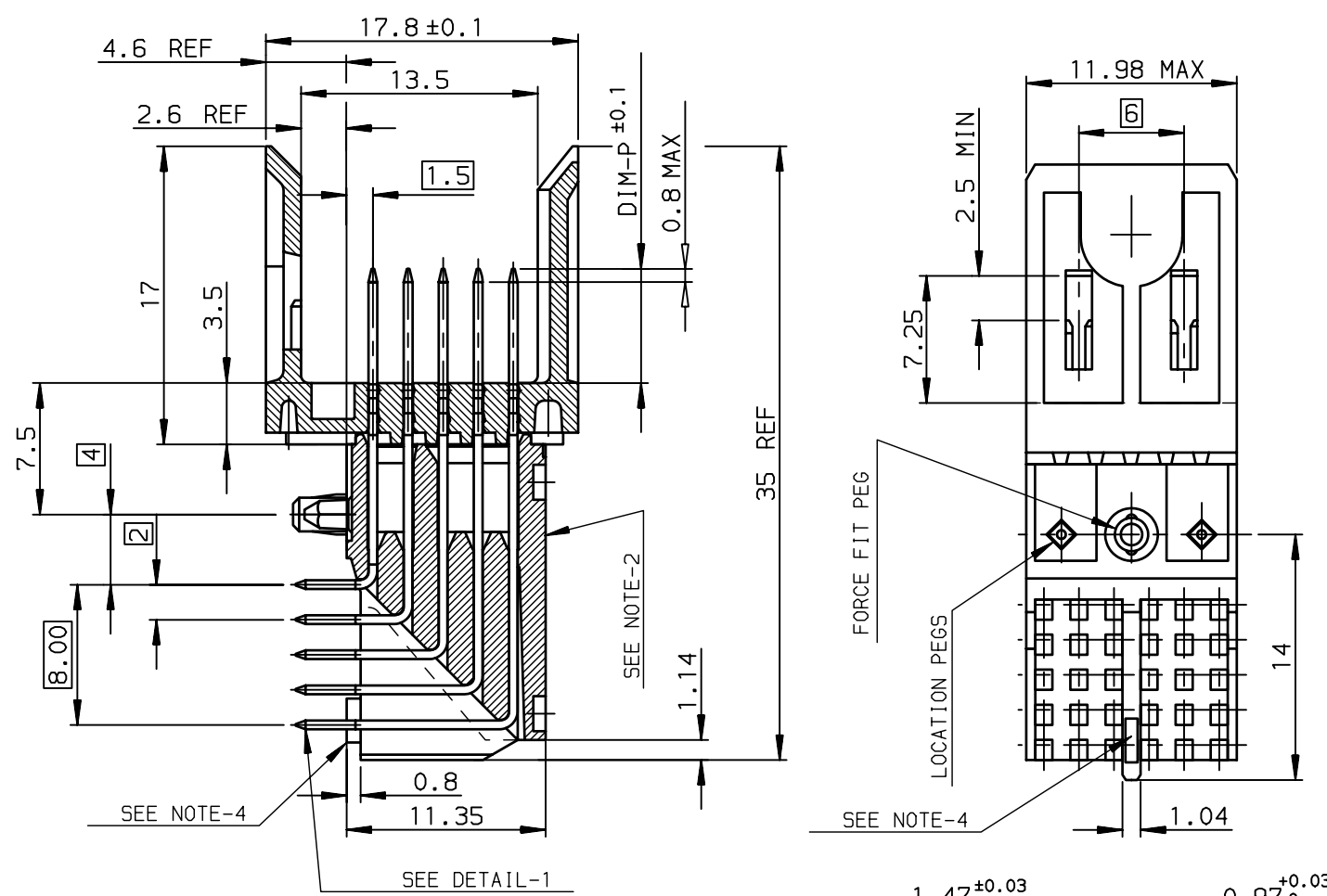


TABLE-1

CONTACT CODE	DIM-P		QTY
01	5.00		--
02	5.75		18
03	6.50		06
04	7.25		06
19	8.00		--
NO CONTACT			

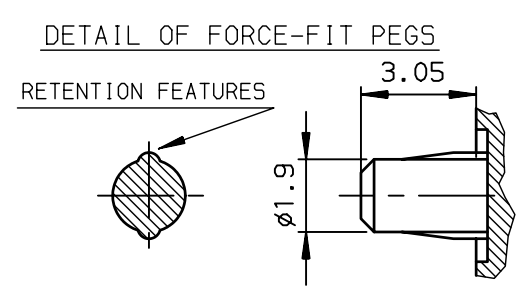
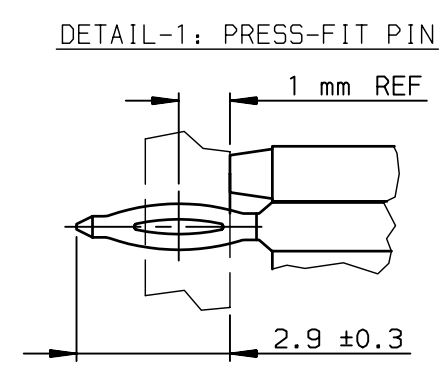
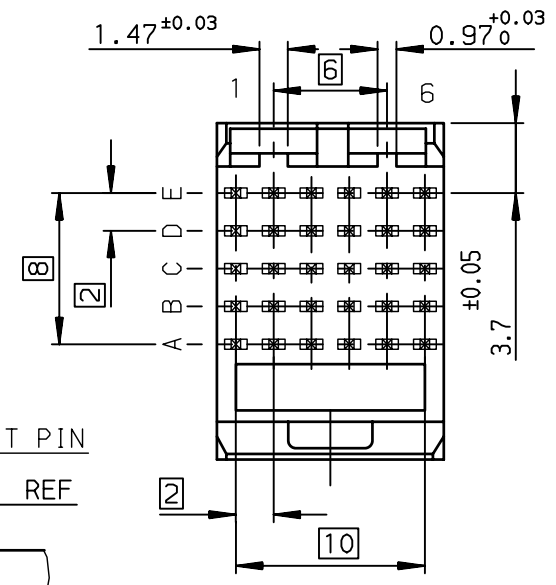
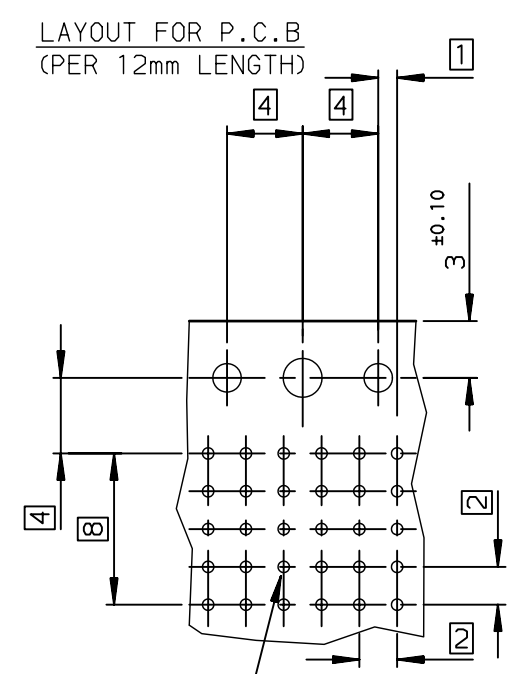
TABLE-2

	1	2	3	4	5	6
E	02	02	02	02	02	02
D	02	02	02	02	02	02
C	04	04	04	04	04	04
B	02	02	02	02	02	02
A	03	03	03	03	03	03

GENERAL CHARACTERISTICS AND ROHS INFORMATIONS:
SEE PRODUCT SPECIFICATION GS-12-445

SPECIFIC DATAS: CONTACT LOADING
SEE TABLE-1 & 2

- NOTE-2: FLAT ROCK INSERTION TOOLING, ON ALL THIS SURFACE
- NOTE-3: EYE OF THE NEEDLE PRESS FIT PIN TYPE
- NOTE-4: REAR CENTRAL SUPPORT FOR BETTER ASSY ON PCB
- NOTE-5: IF SUFFIX "P" IS ADDED IN P/N PACKAGING IS IN TRAYS BUT CONNECTOR MARKING IS WITHOUT "P"
EXAMPLE: HM1XXXXXXXXX6P, MARKED HM1XXXXXXXXX6



TIN LEAD Part Number: HM1L51ZDP440H6P

LEAD FREE Part Number: HM1L51ZDP440H6PLF

European Views

www.fciconnect.com		surface ISO 1302 ✓	tolerance std ISO 406 ISO 1101	projection mm
TOLERANCES UNLESS OTHERWISE SPECIFIED				
Dr	CHAMPION	23/12/29	ANGULAR	0.X ± 0.1
Eng	LENOIR	2002/07/24	LINEAR	0.XX ± 0.1
Chr	LEGARE	2002/07/24	0.XX' ± 2'	0.XXX ± 0.1
Appr	LEGARE	2002/07/24	Product family	METRAL
size				A3
Scale				2.5
ECN				LS07-0184
Spec ref				-
title		METRAL RA HEADER 5 ROW PR		no
catalog no		30 WAY SPECIFIC FOR LUCEN		C-8626-11184
Rev.				D
CUSTOMER				sheet 1 of 1

rev	ecn no	dr	date
A	-	CHA	2002/07/24
B	LS05-001	MLE	2005/02/23
C	LS06-0095	LGO	2006/07/07
D	LS07-0184	MLE	2007/07/26
-	-	-	-
-	-	-	-
-	-	-	-



Copyright FCI.

Hole according to product spec
GS-12-445 (For press-fit),
GS-12-446 (For STB)