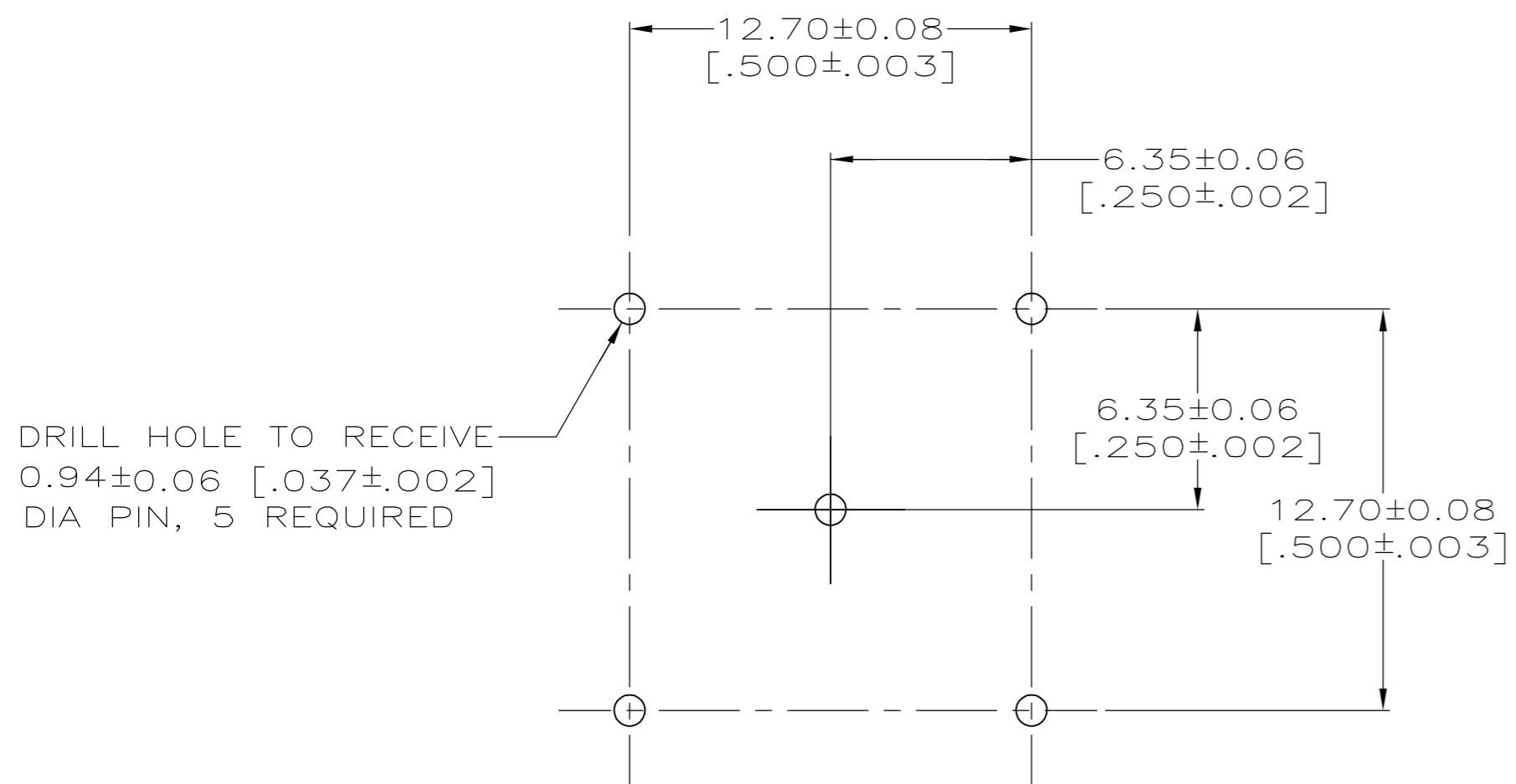
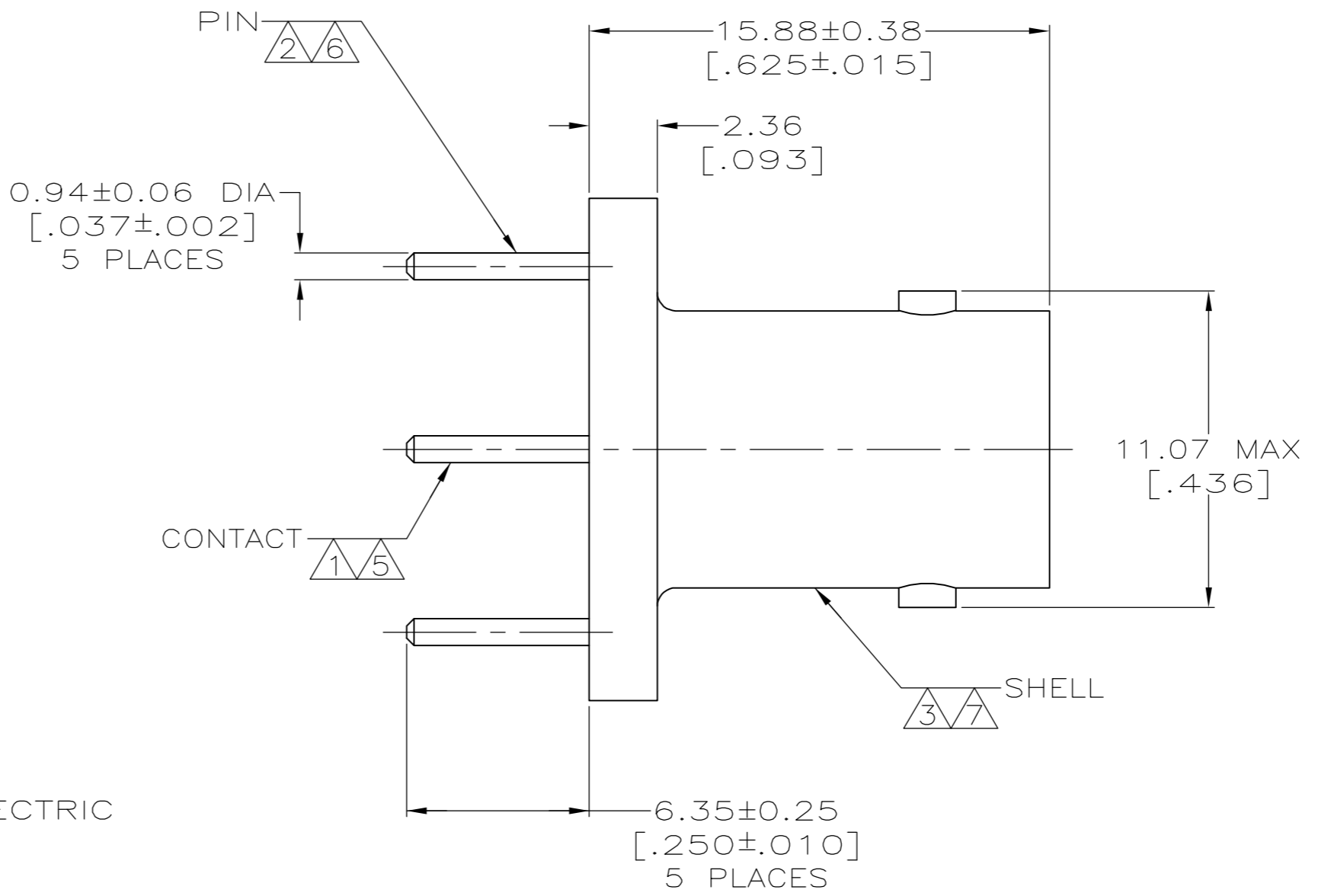
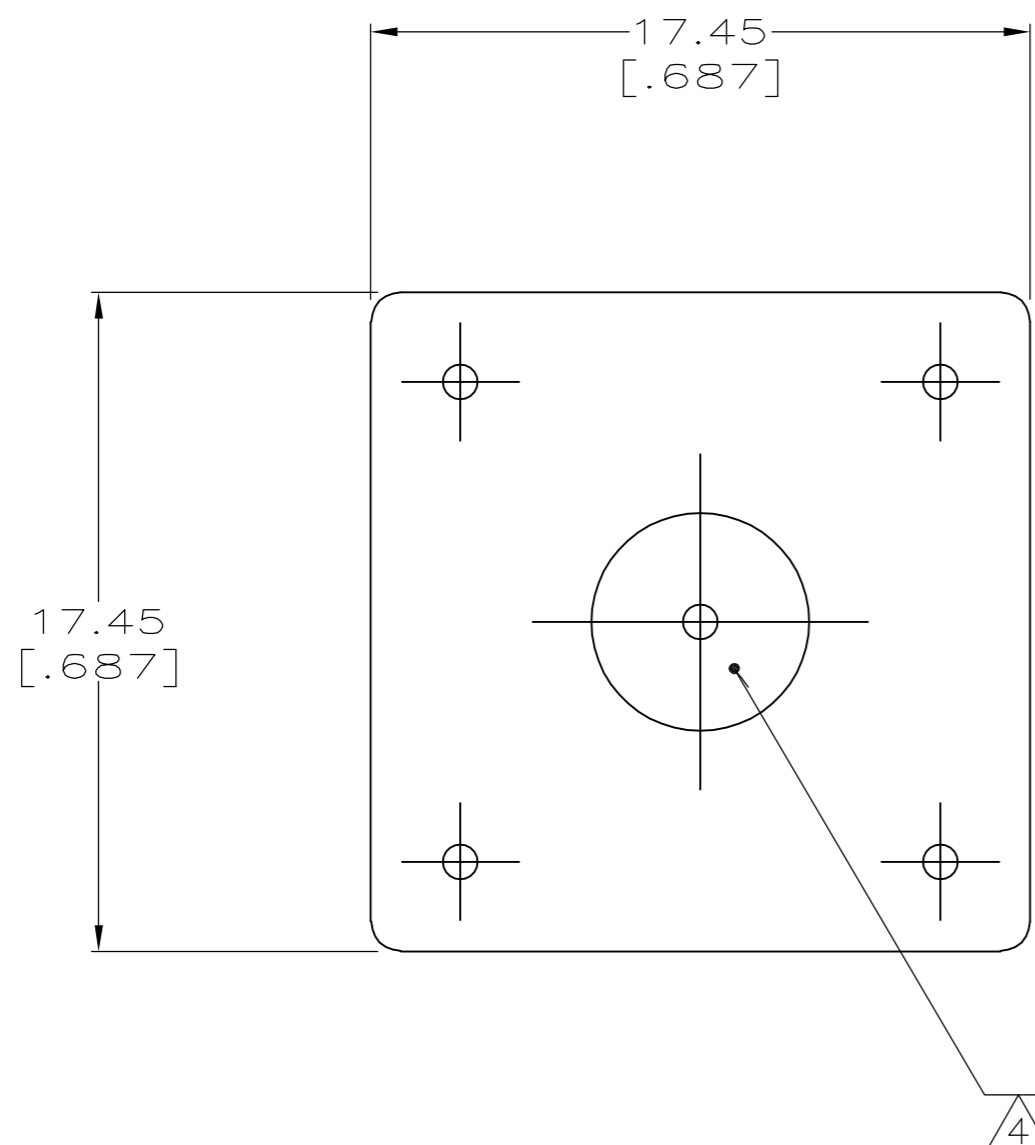


THIS DRAWING IS UNPUBLISHED. RELEASED FOR PUBLICATION  
 © COPYRIGHT BY TYCO ELECTRONICS CORPORATION. ALL RIGHTS RESERVED.

LOC	DIST	REVISIONS					
		P	LTR	DESCRIPTION	DATE	DWN	APVD
AJ	16	F		REVISED PER EC OS14-0499-04	11JULY05	BM	JL



SUGGESTED PCB CONFIGURATION

- 1 BERYLLIUM COPPER PER ASTM-B-197.
- 2 BRASS PER QQ-B-626.
- 3 ZINC PER QQ-Z-363.
- 4 PTFE PER MIL-P-19468.
- 5 SILVER PLATE PER QQ-S-365  
2.54µm [.000100] MINIMUM THICK.
- 6 TIN PLATE PER ASTM-B-545  
2.54µm [.000100] MINIMUM THICK.
- 7 NICKEL PLATE PER QQ-N-290  
3.81µm [.000150] MINIMUM THICK.
- 8. SEE INSTRUCTION SHEET 408-9889.

413986-1  
PART NUMBER

THIS DRAWING IS A CONTROLLED DOCUMENT.		DWN J. LIPPERT 10-15-90	Tyco Electronics Corporation Harrisburg, Pa 17105-3608	
DIMENSIONS: INCHES		CHK R.E.RUTH 10-25-90		
TOLERANCES UNLESS OTHERWISE SPECIFIED:		APVD A. GABNY 10-25-90	NAME JACK, 75 OHM, VERTICAL, PCB, BNC	
0 PLC ± -		PRODUCT SPEC 108-12078	SIZE CAGE CODE DRAWING NO RESTRICTED TO	
1 PLC ± -		APPLICATION SPEC	A2 00779 C=413986	
2 PLC ± 0.20 [.008]		WEIGHT -	SCALE 5:1 SHEET 1 OF 1 REV F	
3 PLC ± -		CUSTOMER DRAWING		
4 PLC ± -				
ANGLES ± -				
FINISH				
MATERIAL SEE NOTES 1 THRU 4				
FINISH SEE NOTES 5 THRU 7				

413986

A