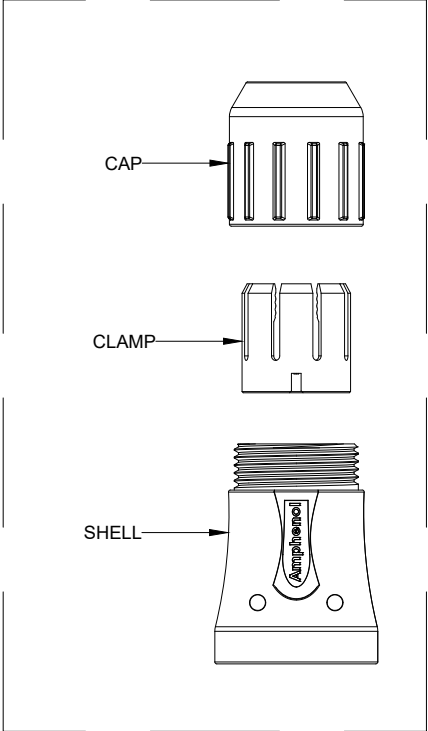
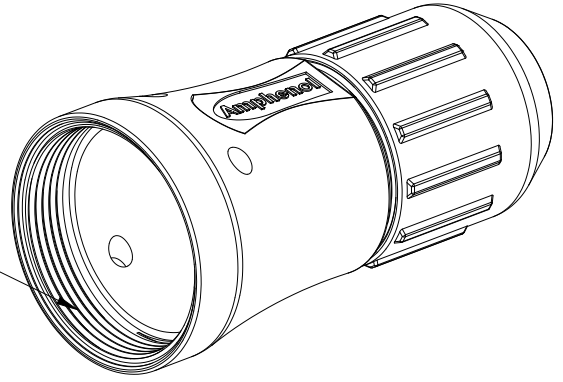
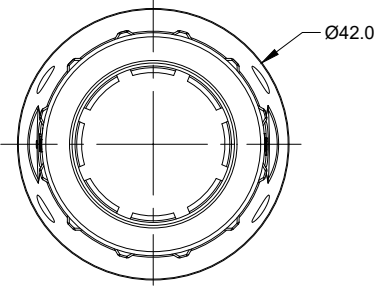
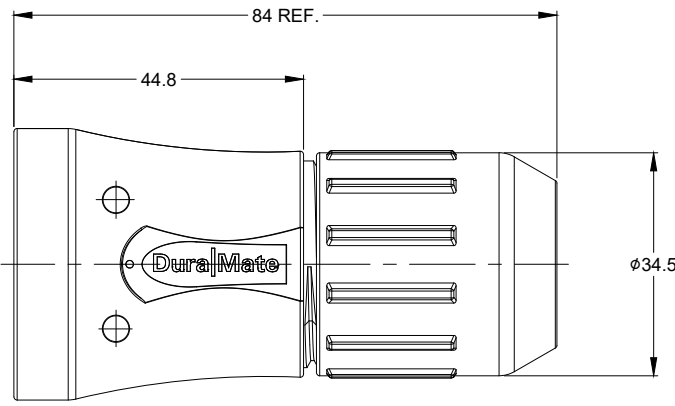


REVISIONS					
REV	ECO	DESCRIPTION	DATE	BY	APPR
A1	--	RELEASE NEW DRAWING	26/SEP/18	ROOKIE	TOMMY



NOTES: UNLESS OTHERWISE SPECIFIED

- MATERIAL:
SHELL: ALUMINIUM ALLOY, NICKEL PLATED;
CAP AND CLAMP: THERMOPLASTIC.
- USE WITH AHDM SERIES SIZE 24 MODIFICATION .
- APPLY TO CABLE OD SIZE: $\phi 20.5 \sim \phi 24.2$.
- RoHS COMPLIANT.
- ALL DIMENSIONS ARE FOR REFERENCE USE ONLY.

TITLE: BACKSHELL, 24 SZ, AHDM
DWG NO: AHDMBS-24-002
REV: A1
SH: 1
OF: 1

AHDMS-24-002		PART NUMBER		DESCRIPTION		ITEM
QUANTITY						
MATERIALS LIST						
UNLESS OTHERWISE SPECIFIED: 1) All dimensions are in metric(mm). 2) Tolerances are as follows: 1 PL DEC ± 0.30 Fractions $\pm 1/64$ 2 PL DEC ± 0.15 Angles $\pm 1^\circ$ 3 PL DEC ± 0.08		SIGNATURES		DATE		 Sine Systems - www.amphenol-sine.com 44724 Morley Drive Clinton Township, MI 48036 BACKSHELL, 24 SZ, AHDM
DRAWN:		ROOKIE		26/SEP/18		
CHECKED:		ORION		26/SEP/18		
ENGINEER:						
APPROVAL:		TOMMY		26/SEP/18		THIS DRAWING IS SUPPLIED FOR INFORMATION ONLY. DESIGN FEATURES, SPECIFICATIONS AND PERFORMANCE DATA SHOWN HEREON ARE THE PROPERTY OF THE AMPHENOL CORPORATION. NO RIGHTS OF REPRODUCTION ARE IMPLIED. ALL DIMENSIONS ARE SUBJECT TO NORMAL MANUFACTURING VARIATIONS.
MATERIAL SPECIFICATIONS:				CUSTOMER:		
PROCESS SPECIFICATIONS:						
NEXT ASSY:				SCALE: NONE		SIZE: B C- DWG NO: AHDMS-24-002 REVISION: A1
				SHEET 1 OF 1		