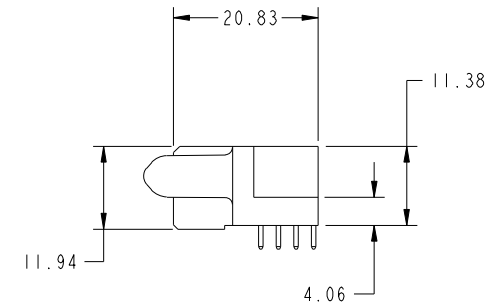
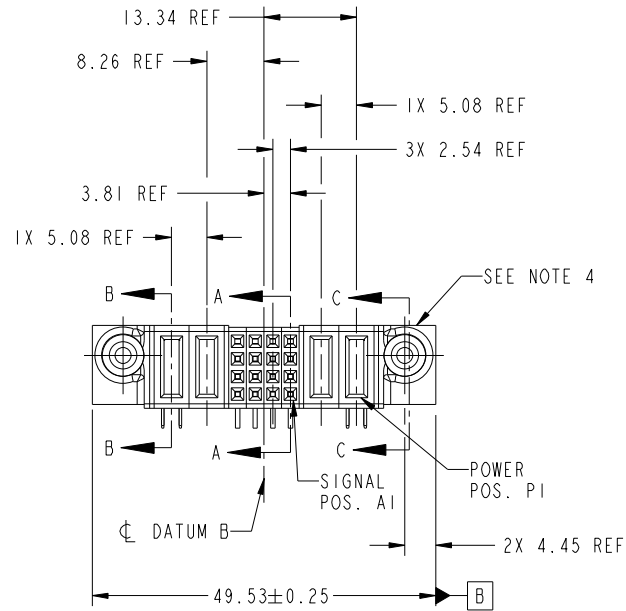


Tous droits strictement reserves. Reproduction ou communication a des tiers interdite sous quelque forme que ce soit sans autorisation écrite du propriétaire. Propriete de c FCI. Droits de reproduction FCI.



All rights strictly reserved. Reproduction or issue to third parties in any form whatever is not permitted without written authority from the proprietor. Property of FCI. Copyright FCI.

PRODUCT NO.	ROWS	POWER		SIGNAL				POWER			
51915-131 -- NOTE 3	D C B A	E2	P4	P3	4	3	2	1	P2	P1	E1
		⊙	PA	X	H	H	H	H	X	PA	⊙
					G	G	G	G			
					F	F	F	F			
					E	E	E	E			



CODE	DIM "M" MATING LENGTH	CONTACT TYPE
PA	[1.07]	POWER
H	[N/A]	SIGNAL
G	[N/A]	SIGNAL
F	[N/A]	SIGNAL
E	[N/A]	SIGNAL
X	OMITTED	OMITTED

mat'l code				SEE NOTE 2		tolerances unless otherwise specified		CUSTOMER		FCI	
ltr	ecn no.	dr	date	linear	0.X ± 0.3	projection		COPY		www.fciconnect.com	
A	DG07-0334	SH	08/17/07	angles	0.XX ± 0.13	M		title		2P+16S+2P R/A SOLDER RECEPTACLE	
				dr	0.XXX ± 0.051	MM		product family		PwrBlade	code
				enr	0° ± 2°	scale		size		A	213
				chr	Sincere He 08/07/07	1:1		dwg no		51915-131	
				appd	Sincere He 08/17/07			sheet		1 of 4	
					Gary Hsieh 08/07/07			cage code		22526	
					Joseph Hsia 08/07/07						
sheet index	revision sheet	A	A	A	A						
		1	2	3	4						

Pro/E

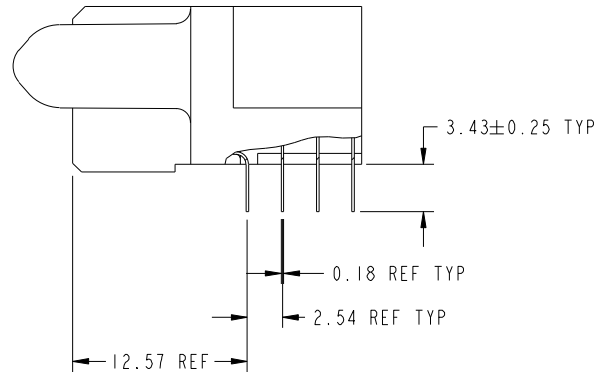
cage code 22526

Tous droits strictement reserves. Reproduction ou communication a des tiers interdite sous quelque forme que ce soit sans autorisation écrite du propriétaire. Propriete de c FCI. Droits de reproduction FCI.

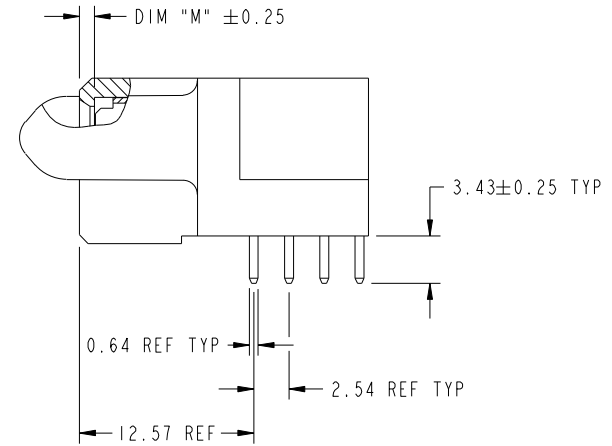


All rights strictly reserved. Reproduction or issue to third parties in any form whatever is not permitted without written authority from the proprietor. Property of FCI. Copyright FCI.

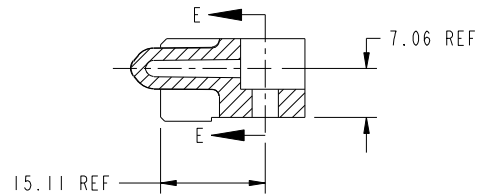
PRODUCT NUMBER
51915-131--
NOTE 3



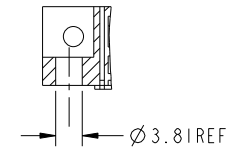
BROKEN-OUT SECTION A-A
SCALE 2:1



BROKEN-OUT SECTION B-B
SCALE 2:1



SECTION C-C



PARTIAL SECTION E-E

mat'l code				SEE NOTE 2		tolerances unless otherwise specified		CUSTOMER		FCI	
ltr	ecn no.	dr	date	linear	0.X ± 0.3		COPY		www.fciconnect.com		
A					0.XX ± 0.13		projection		title		
					0.XXX ± 0.051				2P+16S+2P R/A SOLDER RECEPTACLE		
				angles	0° ± 2°				product family		code
				dr	Sincere He	08/07/07	scale		PwrBlade		213
				enr	Sincere He	08/17/07	1:1		size		sheet
				chr	Gary Hsieh	08/07/07	A		dwg no		2 of 4
				appd	Joseph Hsia	08/07/07	A		51915-131		
sheet index		revision sheet									

cage code 22526

Pro/E

Tous droits strictement réservés. Reproduction ou communication a des tiers interdite sous quelque forme que ce soit sans autorisation écrite du propriétaire. Propriete de c FCI. Droits de reproduction FCI.



All rights strictly reserved. Reproduction or issue to third parties in any form whatever is not permitted without written authority from the proprietor. Property of FCI. Copyright FCI.

PRODUCT NUMBER
51915-131--
NOTE 3

NOTES:

1. DIMENSIONS AND TOLERANCES ARE IN ACCORDANCE WITH ASME Y14.5M, 1994 UNLESS OTHERWISE SPECIFIED.

CONNECTOR NOTES:

2. HOUSING MATERIAL: UL 94 V-0 GLASS FILLED HIGH-TEMP THERMOPLASTIC
POWER CONTACT MATERIAL: COPPER ALLOY
SIGNAL PIN MATERIAL: COPPER ALLOY

3. PLATING:
51915-131, 51915-131LF PLATING SPEC. WAS SHOWN IN THE PRINT OF 10064183.

4. MANUFACTURER'S NAME, P/N, AND DATE CODE TO APPEAR ON THIS SURFACE.

5. PRODUCT SPECIFICATION GS-12-149.
APPLICATION SPECIFICATION BUS-20-067.

6. PACKAGED IN TRAYS.

PCB NOTES:

7. ALL HOLE DIAMETERS ARE FINISHED HOLE SIZE.

8. MOUNTING HOLES, WHERE APPLICABLE, ARE UNPLATED.

9. $\varnothing 1.151 \pm 0.025$ DRILLED HOLES PLATED WITH 0.008 MIN SnPb OR Sn OVER 0.03 TO 0.08 Cu PLATING TO ACHIEVE $\varnothing 1.02 \pm .07$ HOLE.

10. "DIM XXX" TO BE DETERMINED BY THE CUSTOMER.

11. CONNECTOR KEEP-OUT ZONE.

mat'l code		SEE NOTE 2		tolerances unless otherwise specified		CUSTOMER		FCI www.fciconnect.com	
ltr	ecr no.	dr	date	linear	0.X ± 0.3	COPY		title	
A					0.XX ± 0.13	projection		2P+16S+2P R/A SOLDER RECEPTACLE	
				angles	0.XXX ± 0.051			product family PwrBlade code	
				dr	0° ± 2°			size 213	
				enr	Sincere He 08/17/07	scale		sheet	
				chr	Sincere He 08/17/07	1:1		4 of 4	
				appd	Gary Hsieh 08/07/07	A		51915-131	
					Joseph Hsia 08/07/07			cage code	
sheet index	revision sheet							22526	

1 | 2

3 |

4

1 | 2

Pro/E

3 |

cage code 22526

4