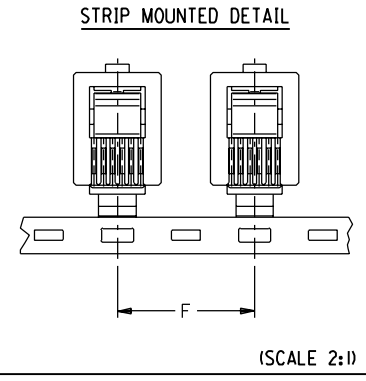
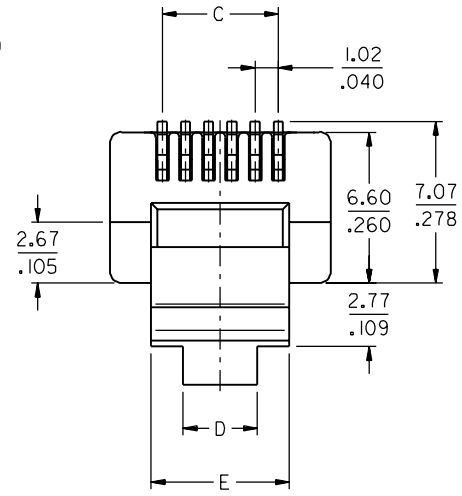
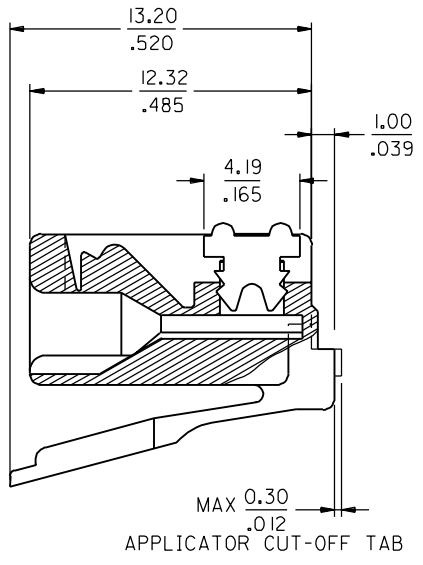
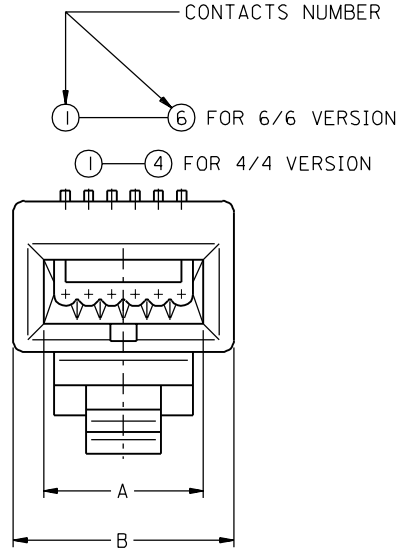


PART NO. SEE CHART
 DWG. NO. SDA-90075



NOTES:

- 1- MATERIAL:
 HOUSING: POLYCARBONATE CLEAR
 TERMINAL: 0.38/.015 THICK PHOSPHOR BRONZE
 PLATING: SEE PLATINGS CHART
- 2- PRODUCT INTENDED TO TERMINATE FLAT OVAL CABLE CONFORMING TO REA BULLETIN 345-80-PE 75 HAVING 0.94/.037 Ø MAXI OVER CONDUCTORS INSULATION
- 3- PRODUCT SPECIFICATION: PS-90075
- 4- APPLICATION SPECIFICATION: AS-90075

| CKTS | NUMBER OF LOADED CONTACTS | PLATING | STRIP MOUNTED | | LOOSE PIECE | | DIMENSIONS | | | | | |
|------|---------------------------|---------|---------------|--------|-------------|--------|------------|------|------|------|------|-------|
| | | | PART NUMBER | TOOLED | PART NUMBER | TOOLED | A | B | C | D | E | F |
| 4 | 4 | 1 | 90075-0001 | YES | 90075-0003 | YES | 5.21 | 7.62 | 3.05 | 2.54 | 4.95 | 12.00 |
| | | 2 | 90075-0025 | YES | 90075-0027 | YES | .205 | .300 | .120 | .100 | .195 | .472 |
| 6 | 2 | 1 | N/A | - | N/A | - | 6.99 | 9.65 | 1.02 | 3.25 | 6.05 | 15.00 |
| | | 3 | 90075-0171 | YES | N/A | - | | | .040 | | | |
| | 4 | 1 | 90075-0009 | YES | 90075-0011 | YES | .275 | .380 | 5.08 | .128 | .238 | .591 |
| | | 2 | 90075-0033 | YES | 90075-0035 | YES | | | | | | |
| 6 | 6 | 1 | 90075-0005 | YES | 90075-0007 | YES | | | .200 | | | |
| | | 2 | 90075-0029 | YES | 90075-0031 | YES | | | | | | |

| PLATINGS | |
|----------|--|
| ① | 0.00076/.000030 MIN GOLD IN CONTACT AREA 0.00127/.000050 MIN TIN LEAD IN PIERCE AREA BOTH OVER 0.00127/.000050 MIN NICKEL. |
| ② | 0.00127/.000050 MIN GOLD IN CONTACT AREA 0.00127/.000050 MIN TIN LEAD IN PIERCE AREA BOTH OVER 0.00127/.000050 MIN NICKEL. |
| ③ | 0.00038/.000015 MIN GOLD IN CONTACT AREA 0.00100/.000039 MIN TIN LEAD IN PIERCE AREA BOTH OVER 0.00100/.000039 MIN NICKEL. |

| | | | | | | | |
|---|--|---|--|--|--|---|--|
| VERSION 6/2 ADDED ECN MC1999-0325 FB 99/06/09 | | REDRAWN ON CAD SYST. ECN 2369 FB 96/12/09 | | REVISIONS FOR PREVIOUS REVISIONS SEE MRI LIST UNLESS OTHERWISE SPECIFIED TOLERANCES: ANGULAR ±2° INCH METRIC 3 PLACE ± .010 ± 2 PLACE ± .014 ± 0.25 1 PLACE ± . ± 0.35 DRAFT WHERE APPLICABLE MUST REMAIN WITHIN DIMENSIONS DESIGN DIMENSION <input checked="" type="checkbox"/> MM <input type="checkbox"/> IN. EQUIVALENT DIMENSION <input type="checkbox"/> MM <input checked="" type="checkbox"/> IN. IF TWO DIMENSIONS ARE SHOWN THE UPPER IS THE DESIGN DIMENSION, LOWER IS SECONDARY | | DRWG BY FB CHK'D BY TB APP'D BY JB SCALE 5:1 | SH. REV. CAD/CAM PROJECT NAME 590075X2. DGN THIS DRAWING CONTAINS INFORMATION THAT IS PROPRIETARY TO MOLEX INC. & SHOULD NOT BE USED WITHOUT WRITTEN PERMISSION TITLE W.E. TYPE MODULAR PLUG 4/4, 6/4 AND 6/6 FOR OVAL FLAT CABLE SHEET NO. DATE 2 OF 3 97/12/09 |
| M | | L | | LTR | | MOLEX EUROPE SEE CHART SDA-90075 B | |