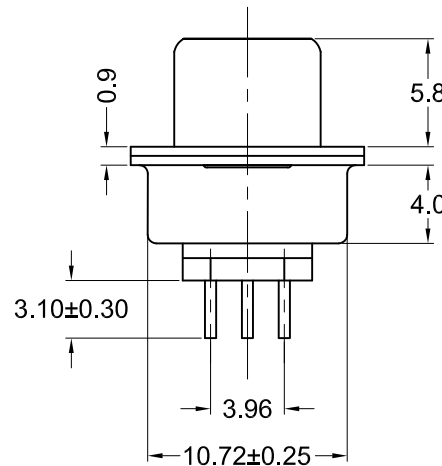
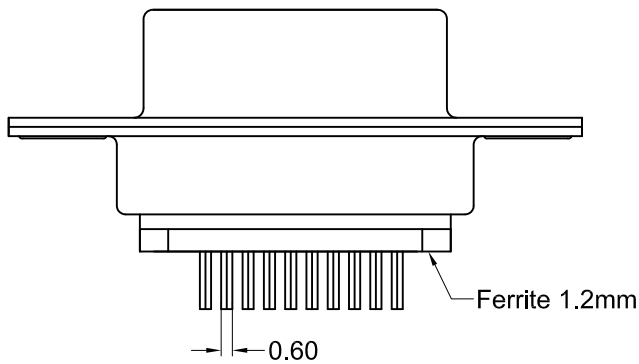


Recommended PCB Layout
(Top View)



Material and Finish

- Shell: Steel, nickel plated
- Insulator: PBT thermoplastic with glass-fiber reinforcement, UL94V-0 rated
Color: Black
- Contact Material:
Socket - Brass
- Contact Plating Options:
Standard: gold flash on mating end, tin on termination end, nickel underplate on entire contact
- 15 Option: 15u" gold on mating end, tin on termination end, nickel underplate on entire contact
- 30 Option: 30u" gold on mating end, tin on termination end, nickel underplate on entire contact

Electrical Specifications

- Rated Current: 1.5A
- Rated Voltage: 30Vac
- Insulation Resistance:
more than 1000 megohms at 500V DC
- Contact Resistance:
13 milliohms max.
- Dielectric Withstanding Voltage:
1000V for 1 minute
- Operating Temperature:
-55°C to +75°C

Ordering Information

Part Number	Contact Area Plating Finish
KF86X-ED-15S	Gold Flash (standard option)
KF86X-ED-15S-15	15u" Gold (15 option)
KF86X-ED-15S-30	30u" Gold (30 option)

Ferrite Specifications

Measured Value(OHM)	Test Frequency
12 MIN.	25 MHz.
30 MIN.	100 MHz.



Tolerances
X.X ± 0.30
X.XX ± 0.20
Unless Stated Otherwise

REV.	DATE	DESCRIPTION	REV. BY	CHK. BY	DRAWN BY	DATE
A1	03/30/09	New Drawing	S. Vien	H. MA		
A2	10/17/14	ECO#14-028	H. MA	P. DalCanto	S. Vien	01/13/09
A3	05/12/16	ECO#16-009	H. MA	W. Cook		
A4	12/31/17	ECO #17-033	J. Elbanna	C. Furumasu		

KF86X-ED-15S

Vertical D-Sub, HD, RoHS Compliant

Ferrite, 15 Pin Female

