

Wireless Module 802.11ac/a/b/g/n WYSBHVGXG & WBSBHVGXG Overview

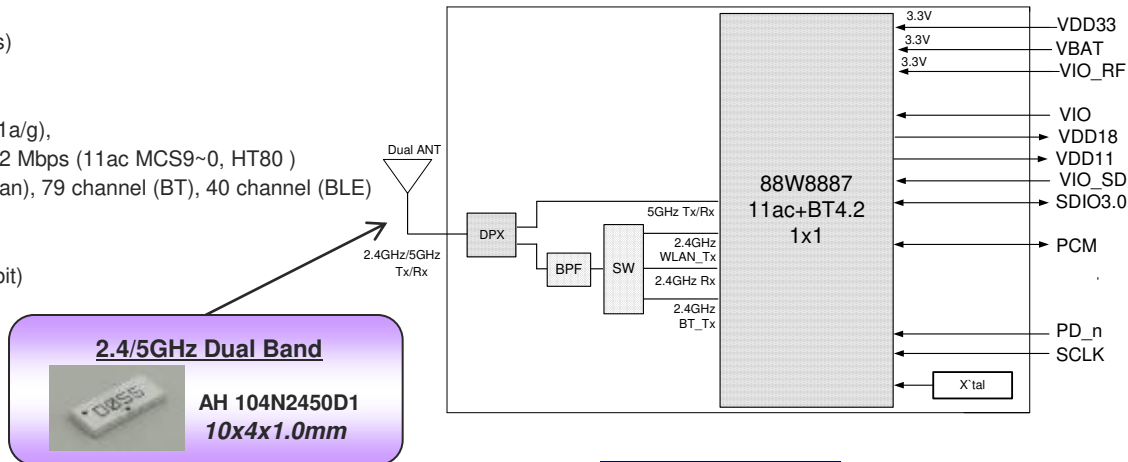
March 25th, 2016 Version 1.0

WYSBHVXG: IEEE 802.11ac 1x1 Module (11ac+Bluetooth®4.2)

Features

- SMD type module.
- IEEE802.11ac/a/b/g/n 1x1 conformity. Data rates up to MCS9(433.3Mbps)
- BT4.2(supports Bluetooth Low Energy). Class2 supports.
- Low standby current (with low power operation)
- Transmit data rate : 11/5.5/2/1 Mbps(11b), 54/48/36/24/18/12/9/6 Mbps(11a/g), 150~6.5 Mbps (11n, MCS7~0, HT20/40), 433.3 ~ 7.22 Mbps (11ac MCS9~0, HT80)
- Channel Number : 1 to 13 channel (11bgn), W52/W53/W56/W58(11ac/11an), 79 channel (BT), 40 channel (BLE)
- Interface : SDIO3.0, PCM
- Built-in Diplexer, 2G-PA, 5G-PA, 5G-LNA, OTP, X'tal, DC/DC Power
- Security: TKIP, WEP, AES, CCMP, CMAC, WAPI, WPA/WPA2(64bit/128bit)
- Outline: 12.6 x 8.9 x 1.9(Max) mm
- Package: Metal case package
- RoHS Conformity

Block Diagram



2.4/5GHz Dual Band



AH 104N2450D1
10x4x1.0mm

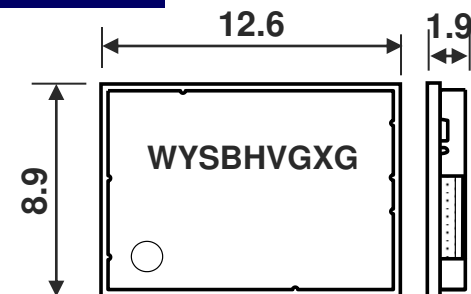
General Electrical Specification

Parameter	Description	Min.	Typ.	Max.	Units
Frequency Range	11b / g / n (HT20/HT40)	2412		2472	MHz
	11a / ac (HT80)	5180		5825	MHz
	BT / BLE	2402		2480	MHz
Operation Voltage	VDD33	3.0	3.3	3.3	V
	VIO		1.8/ 3.3		V
TX Output Power	11b/11g/11n-2G(20TH/40TH)	10 / 10 / 10	12 / 12 / 12	14/ 14/ 14	dBm
	11a/11n-5G20TH/40TH/11ac	10 / 10 / 8 / 6	12 / 12 / 10 / 8	14 / 14 / 12 / 10	
	BT	-6	0	4	
RX Sensitivity	11b/11g/11n-2G(20TH/40TH)		-87/-73/-69/-66	-76 / -65 / -64/-61	dBm
	11a/11n-5G(20TH/40TH)/11ac		-71/-68/-65/-57	-65 / -64/-61 /-51	
	BT / BLE		-86/-86	-70 / -70	
TX Power Consumption	Burst Mode 11b (Duty=46.8%)		488		mW
RX Power Consumption	Mode 11ac 5G		358		mW
Power Consumption	Sleep Mode		1.8		mW
General Operation Temperature Range		-30	25	85	degC

Application

- Tablet PC, notebooks, ultrabooks
- Smart TV, Set-top box
- Blue-lay players, Media players
- Media servers, gaming platforms
- Smart phones

Outline



Bluetooth®
SMART READY
Unit: mm

Note: The *Bluetooth®* word mark and logos are owned by the *Bluetooth* SIG, Inc. and any use of such marks by TAIYO YUDEN CO.,LTD. is under license.

TAIYO YUDEN

WBSBHVXG: Wireless LAN Module Evaluation Kit

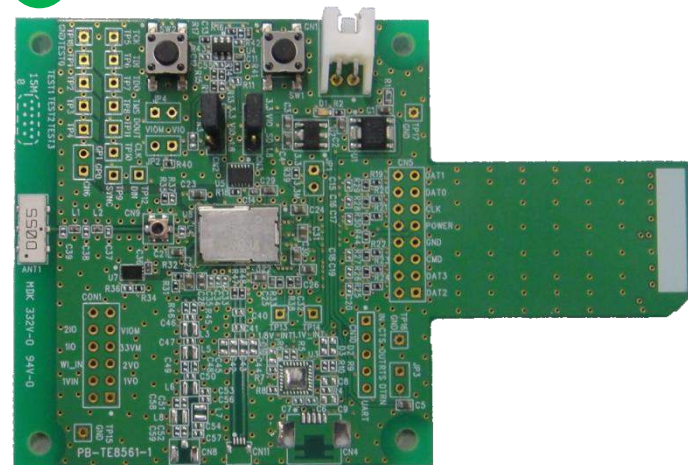
To Evaluate WLAN Module WYSBHVXG
You Will Need WBSBHVXG

WBSBHVXG is the evaluation kit for WLAN Module **WYSBHVXG**. This kit has everything you need to evaluate the performance of this module.

WBSBHVXG Kit includes:

No.	Item	Description	Qty
1	WBSBHVXG	Evaluation Board for WLAN module WYSBHVXG with SDIO interface	1
2	Red & Blue Cable	Power Supply Cable	1

1 WBSBHVXG



2 Red & Blue Cable



Supplemental Product Information

WLAN Module Operating Environment

- PC with Linux Fedora18 with software development option and SDIO interface

Attention: PC with SDIO is required. Although SDIO and SD Memory Card have the same slot shape, they are not compatible. WLAN Module and Evaluation Board will not work if they are connected to SD memory card slot.

What will be provided if the Evaluation Board is purchased

- Lab-tool User Guide: RF Control Tool Guide
- Lab-tool: RF Control Tool
- WLAN Device Driver Software for Linux PC, Fedora18

Attention: There is a possibility that export control could limit customer's access WLAN Device Driver and the API Specification depending on the customer's country or application.

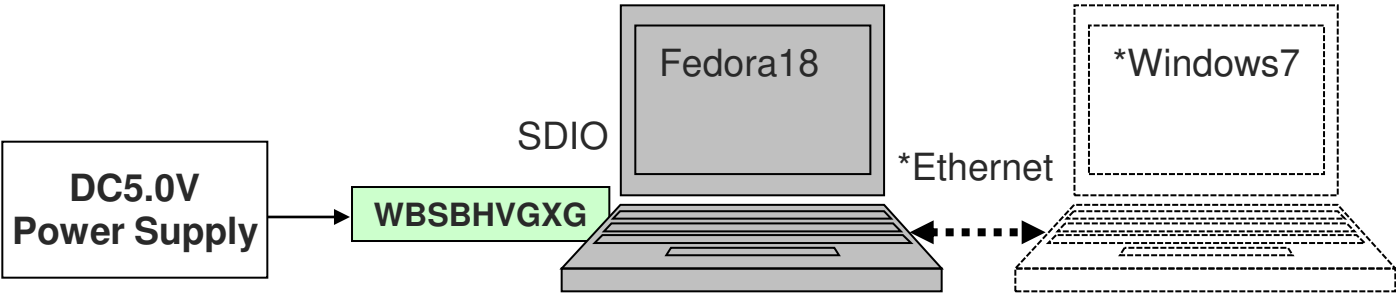
Attention: WYSBHVGXG (not WBSBHVGXG) provided by web distributor is not bundled any above documents and software. To get them, you need to purchase WBSBHVGXG (Evaluation Board).

Anyone can access other documents at the following site:

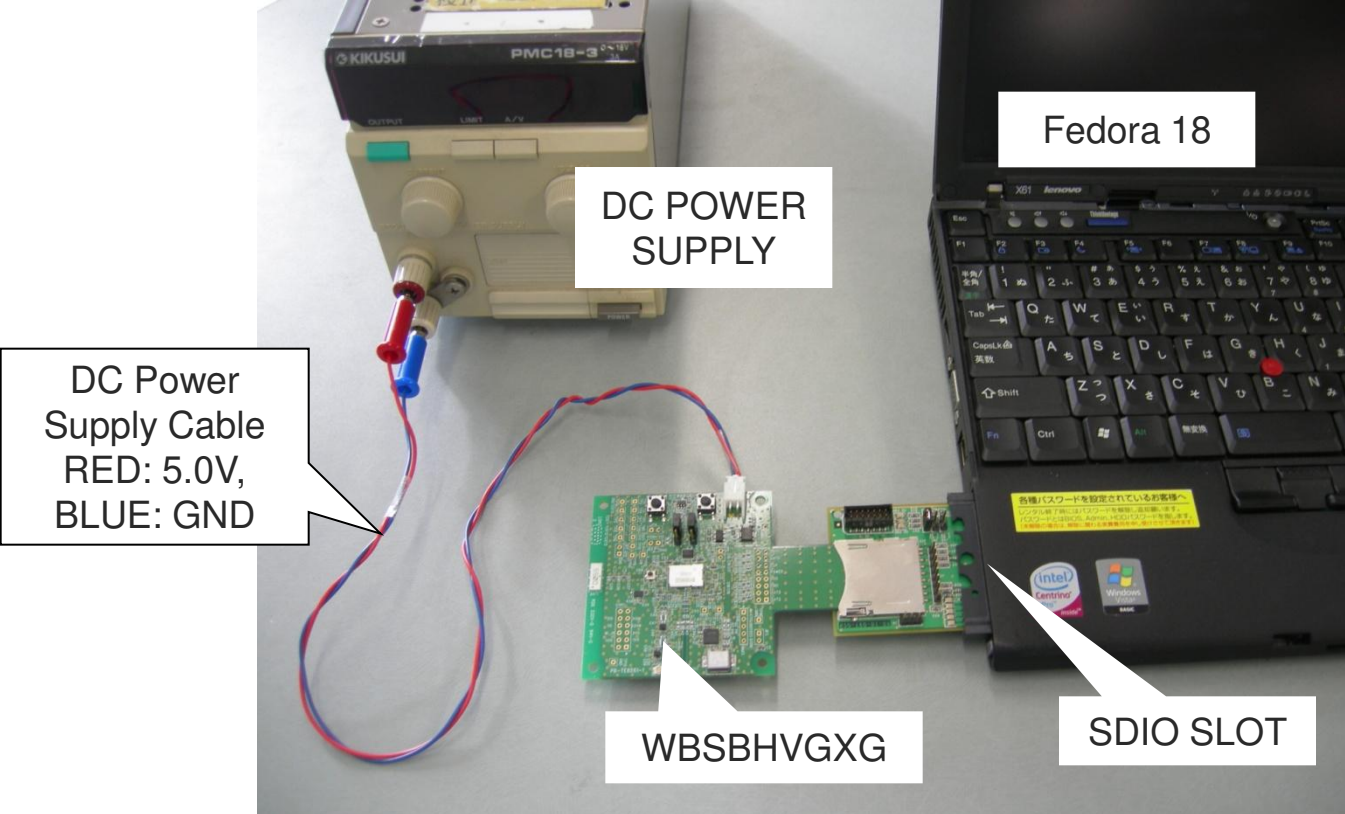
English: <http://www.yuden.co.jp/ut/product/category/module/WYSBHVGXG.html>

Japanese: <http://www.yuden.co.jp/jp/product/category/module/WYSBHVGXG.html>

Example of hardware configuration for WBSBHVXG



*To use LABTOOL, PC with Windows7 is also required. Each PCs are connected via Ethernet cable.



Software Structure

Sample Application

- uaputl , mlanutl (Configuration tools)

WLAN Device driver

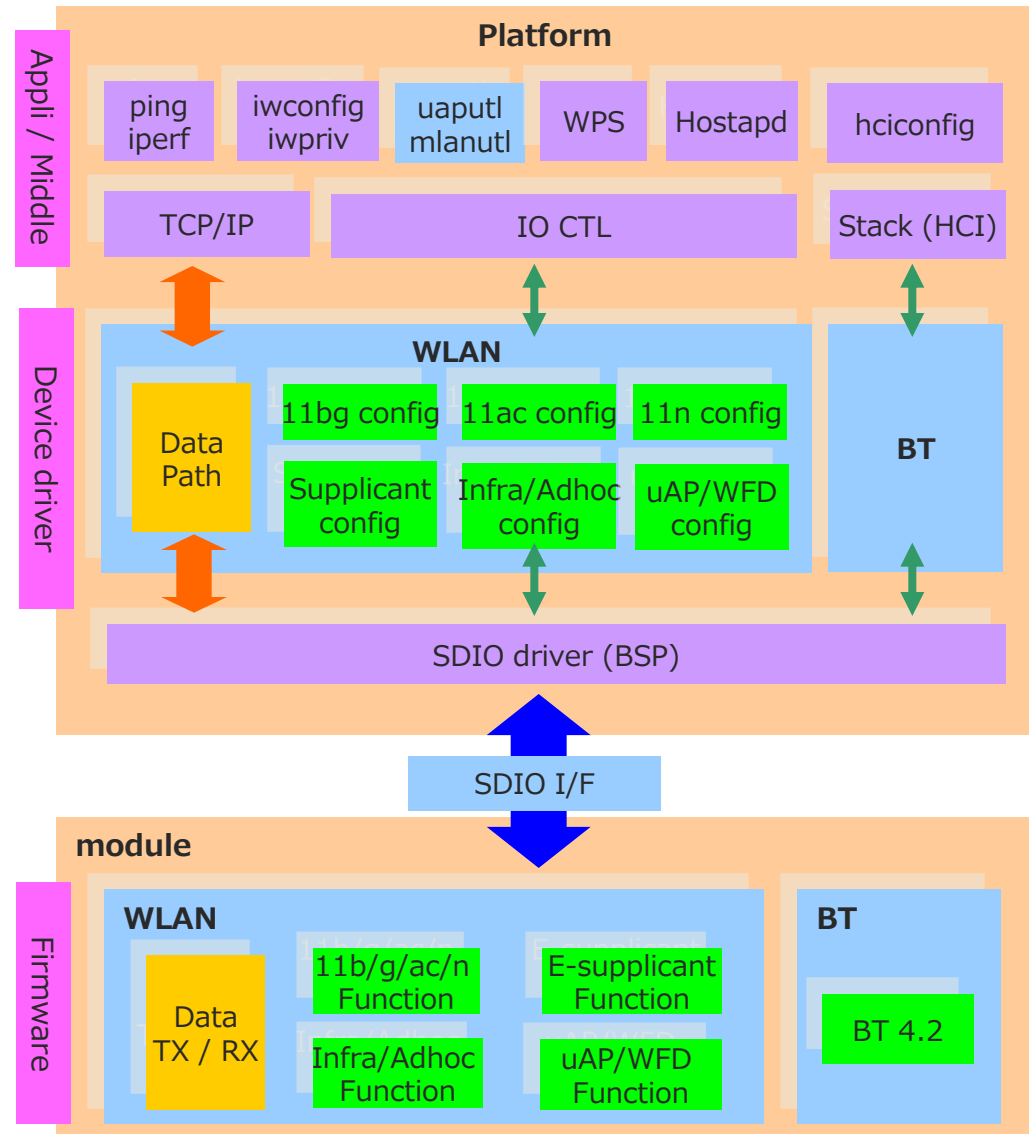
- Data path:
Communicate data such as TCP or UDP
- 11bg config/11ac config/11n config:
Configure the such as CH/Rate/band/mode
- Supplicant config:
Configure the generated key by supplicant of middleware
- Infra/Adhoc config:
Configure the Infa or Adhoc mode
- uAP/WFD config:
Configure the uAP or WFD mode

Bluetooth Device driver

- Bluetooth driver

Firmware

- Data TX/RX:
Transmit and receive data on the air, such as TCP or UDP
- 11b/g/a/n function:
Execute the function of such as CH/Rate/Band/Mode
- E-supplicant function:
Generate the key of WPA/WPA2
- Infra/Adhoc function:
Execute the function of Infra or Adhoc mode
- uAP/WFD function:
Execute the function of uAP or WFD mode
- Bluetooth 4.2



*WFD : Wi-Fi Direct , E-supplicant : Embedded supplicant

Software Feature Set

General

- 1 Spatial stream (1x1)
- 802.11b Data rates of 1,2 ,5.5 and 11 Mbps
- 802.11a/g Data rates 6 - 48, and 54 Mbps
- 802.11n Data rates up to 300 Mbps (MCS0 to 15)
- 802.11ac Data rates up to 433 Mbps (MCS0 to 9)
- 802.11d International roaming
- 802.11e QoS block ack
- 802.11h Transmit power control, DFS
- 802.11i WPA / WPA2 and 802.11X
- Infrastructure and Ad-hoc mode
- Security WEP 64 and 128-bit, TKIP and AES CCMP for WPA / WPA2
- WMM Support, WMM PS (UAPSD)
- IEEE Power Save, Auto Deep Sleep / Host Sleep
- Embedded Supplicant
- Support for TX and RX of AMPDU and AMSDU-4k packets
- Support for Only TX of AMSDU-8k packets
- Background Scan, Vendor specific IE

Access point

- Multi-BSS support (2 BSS)
- Association support up to 8 stations
- Automatic channel selection (ACS)

Simultaneous AP-STA Operation

- AP-STA functionality
- Independent security configurations on different interfaces
- Enhanced power save (AP-STA simultaneous power save)

Wi-Fi Direct/P2P

- Autonomous Group Owner mode (GO)
- P2P Client mode
- P2P Client association with WLAN AP
- P2P Client power save
- P2P Client WMM PS (UAPSD)
- GO WMM PS / IEEE PS for associated P2P clients
- 8 client support, Provision discovery

Bluetooth

- BT 4.2, BT class 2
- Adaptive frequency hopping (AFH)
- Wake on BT
- Coexistence with Wi-Fi

Driver Package

Driver package (Platform)	Software	CPU / OS Type	Content
Object package for PC	Device driver	CPU: x86 (PC) OS: Fedora 18 (Linux 3.6.10)	Driver object - Linux configuration tools - Linux WLAN and BT driver, Firmware
			Document - Install guide - Demonstration guide
	RF control tool (Lab-tool)	CPU: x86 (PC) OS: Windows and Linux	Driver object - Windows Lab-tool - Linux bridge tool, Linux driver, Firmware
			Document - User guide

TAIYO YUDEN