

THIS DRAWING IS UNPUBLISHED.

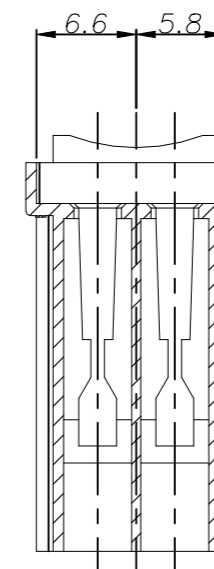
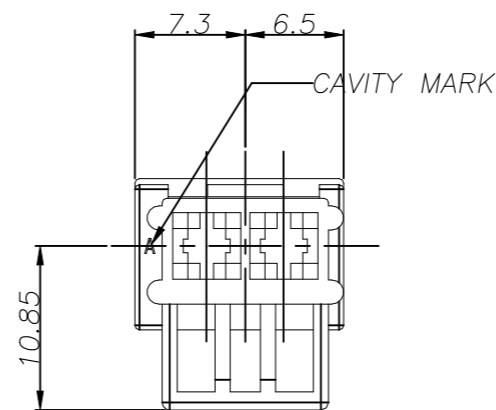
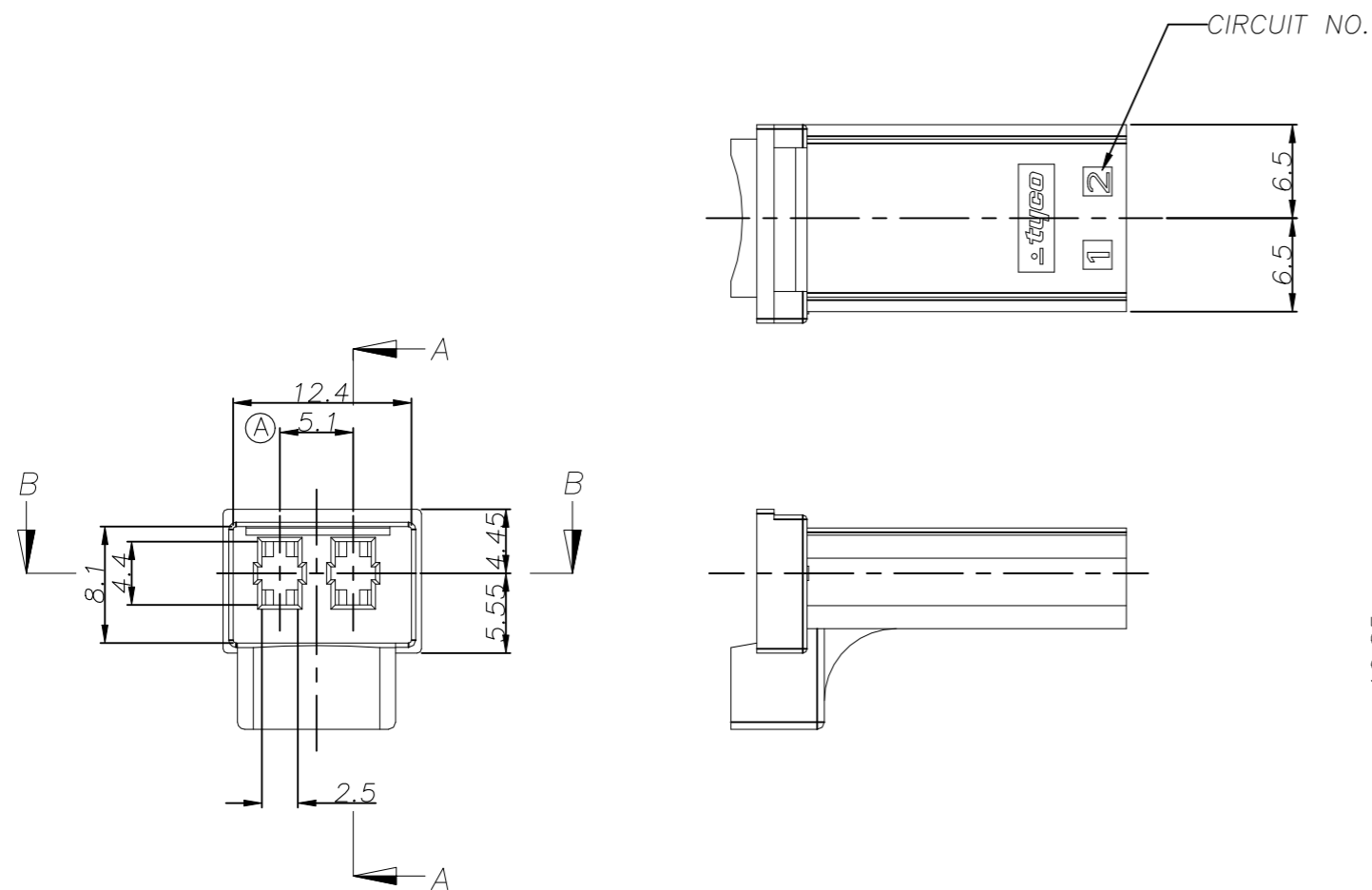
RELEASED FOR PUBLICATION

© COPYRIGHT - TE Connectivity Ltd.

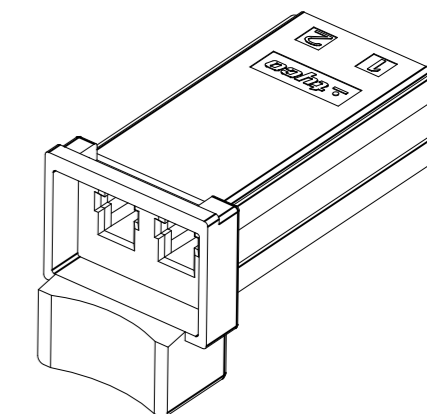
ALL RIGHTS RESERVED.

REVISIONS

P	LTR	DESCRIPTION	DATE	DWN	APVD
	C	REVIED PER ECR-23-179953	27JUL2023	SS	RE

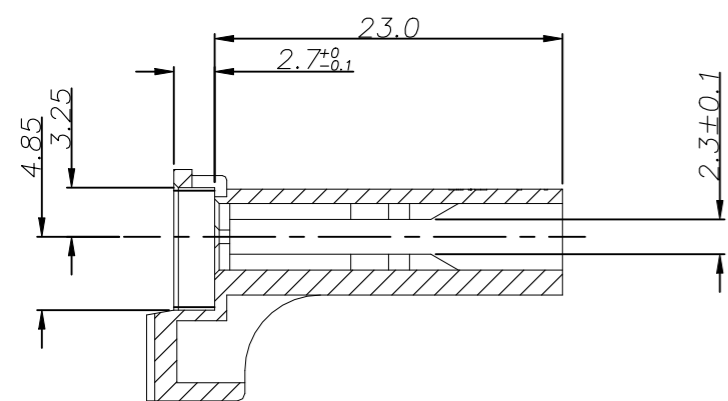


SECTION B-B



NOTES

- 1. GENERAL TOLERANCES : $\pm 0.25, \pm 1^\circ$
- 2. APPLICABLE CONTACT P/N : 1217039-1



SECTION A-A

2-1743216-1	PA66, UL94 V-0, GWIT 775, GWT 750	NATURAL
1-1743216-1	PA66, UL94 V-0	NATURAL
PART NO.	MATERIAL	COLOR

THIS DRAWING IS A CONTROLLED DOCUMENT.		DWN	-		STE TE Connectivity Ltd.
DIMENSIONS: mm		CHK	-		
TOLERANCES UNLESS OTHERWISE SPECIFIED:		APVD	-		
0 PLC ± -		PRODUCT SPEC	-		
1 PLC ± -		APPLICATION SPEC	-		GAS VALVE 2P CONNECTOR
2 PLC ± -		SIZE	CAGE CODE	DRAWING NO	
3 PLC ± -		WEIGHT	-		-
4 PLC ± -		A3 00779		C-1743216	
ANGLES ± -		CUSTOMER DRAWING		SCALE	2:1
FINISH -		SHEET		1 OF 1	REV
MATERIAL SEE TABLE					C