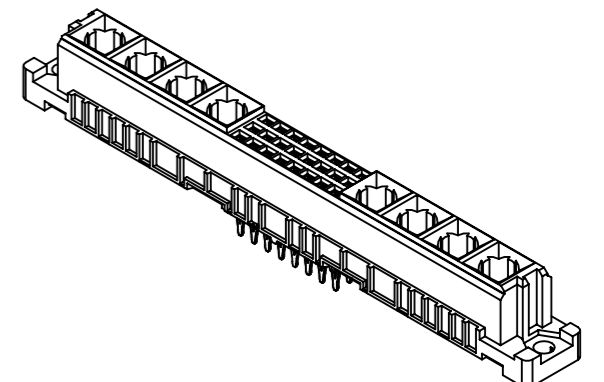
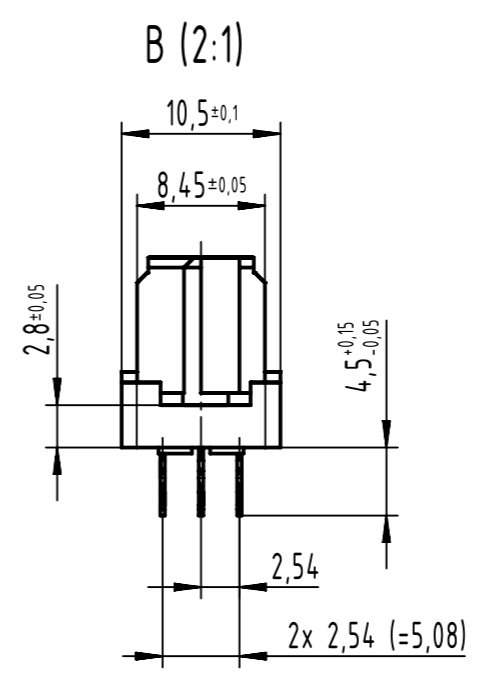


24 press-in contacts

⊗ = press-in contact

□ = position without contact



$\begin{matrix} \square \\ \square \\ \square \end{matrix}$ recommended configuration of plated through holes and further information see product data sheet

09 03 224 6850	2
part no.	performance level

	All Dimensions in mm Original Size DIN A3	Scale 1:1	Free size tol. IEC 60603-2	Ref.
	All rights reserved Department EL PD	Created by STORCK	Inspected by LEHNERT	Standardisation
HARTING D-32339 Espelkamp	Title DIN Signal type M24+8 female press-in 4.5 24-pole			Doc-Key / ECM-Nr. 100072218/UGD/030/E 500000202700
	Type TB	Number 0903224X850	Date 2021-09-23	State Final Release
				Rev. E Page 1/1