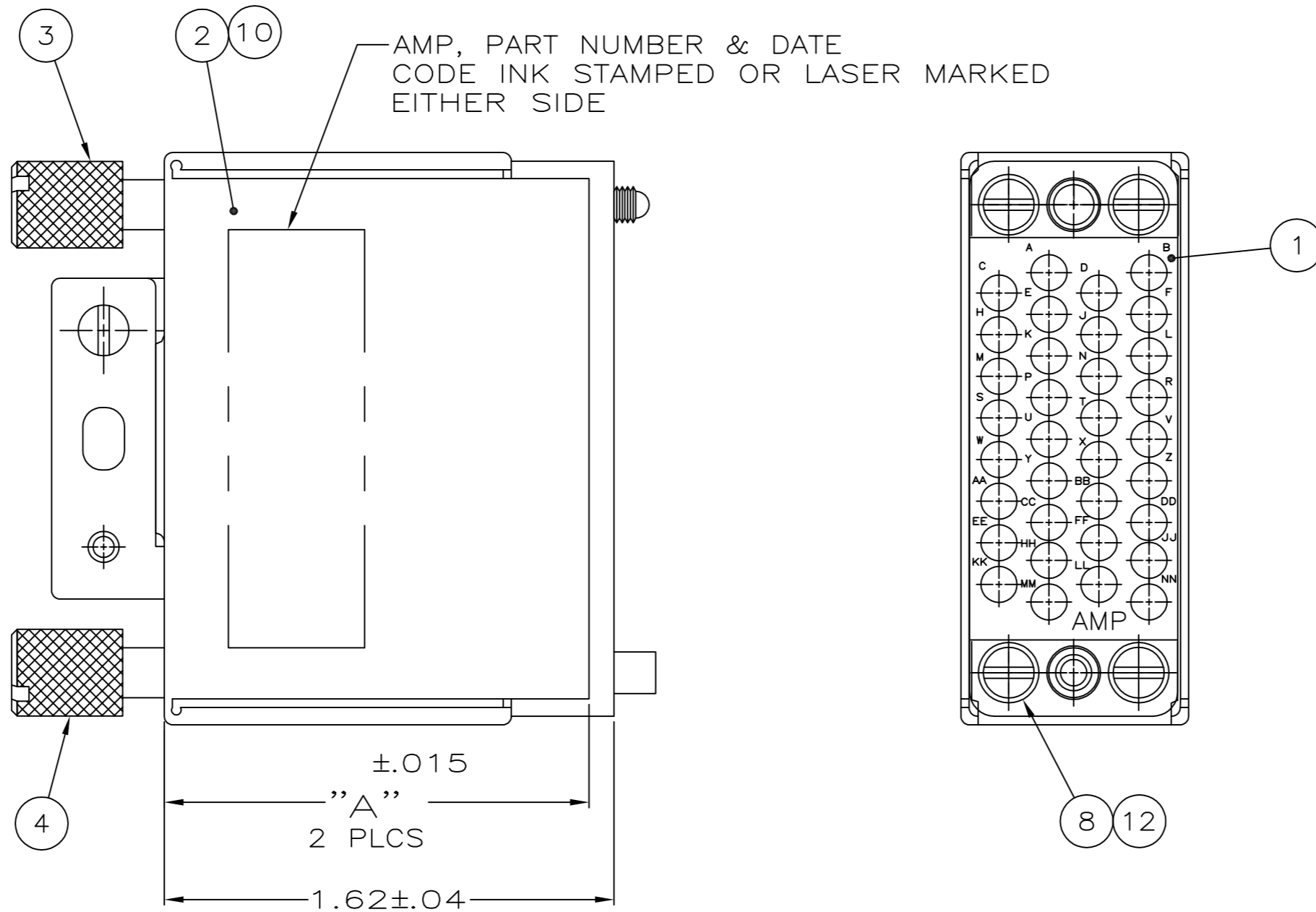
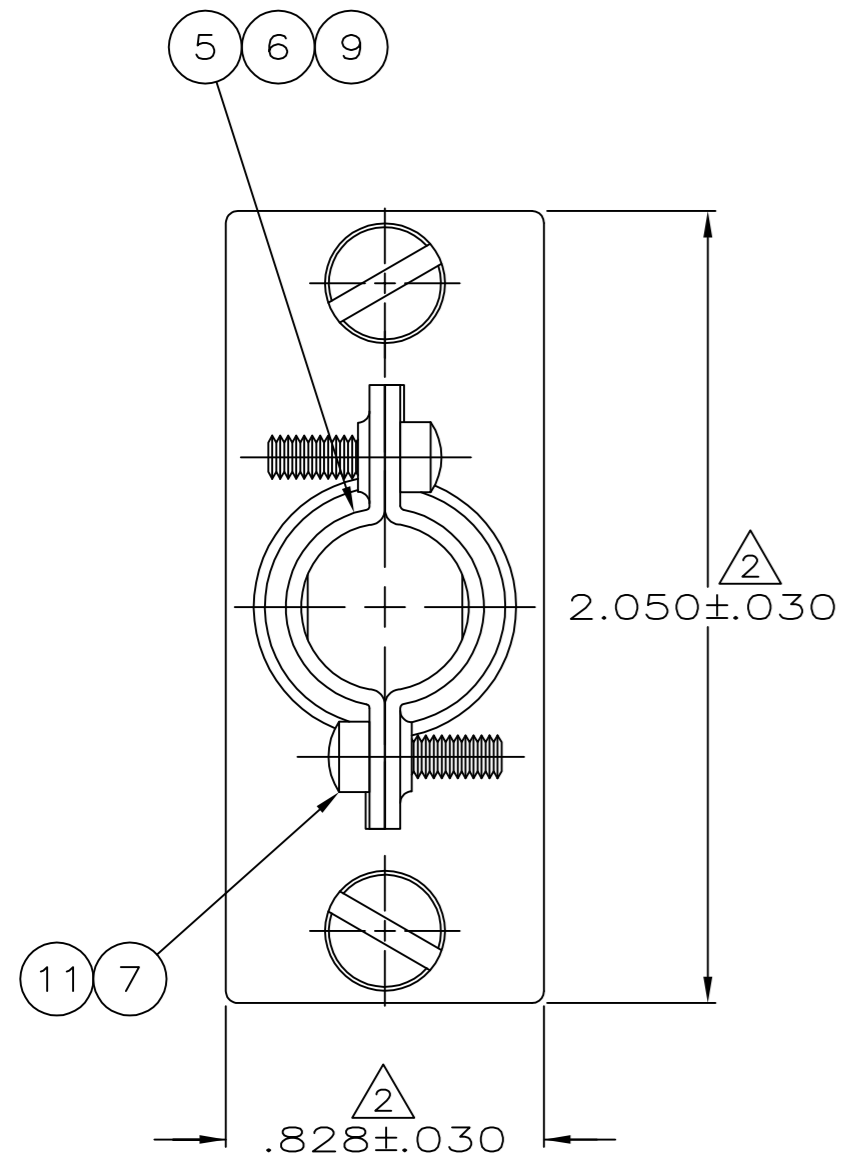


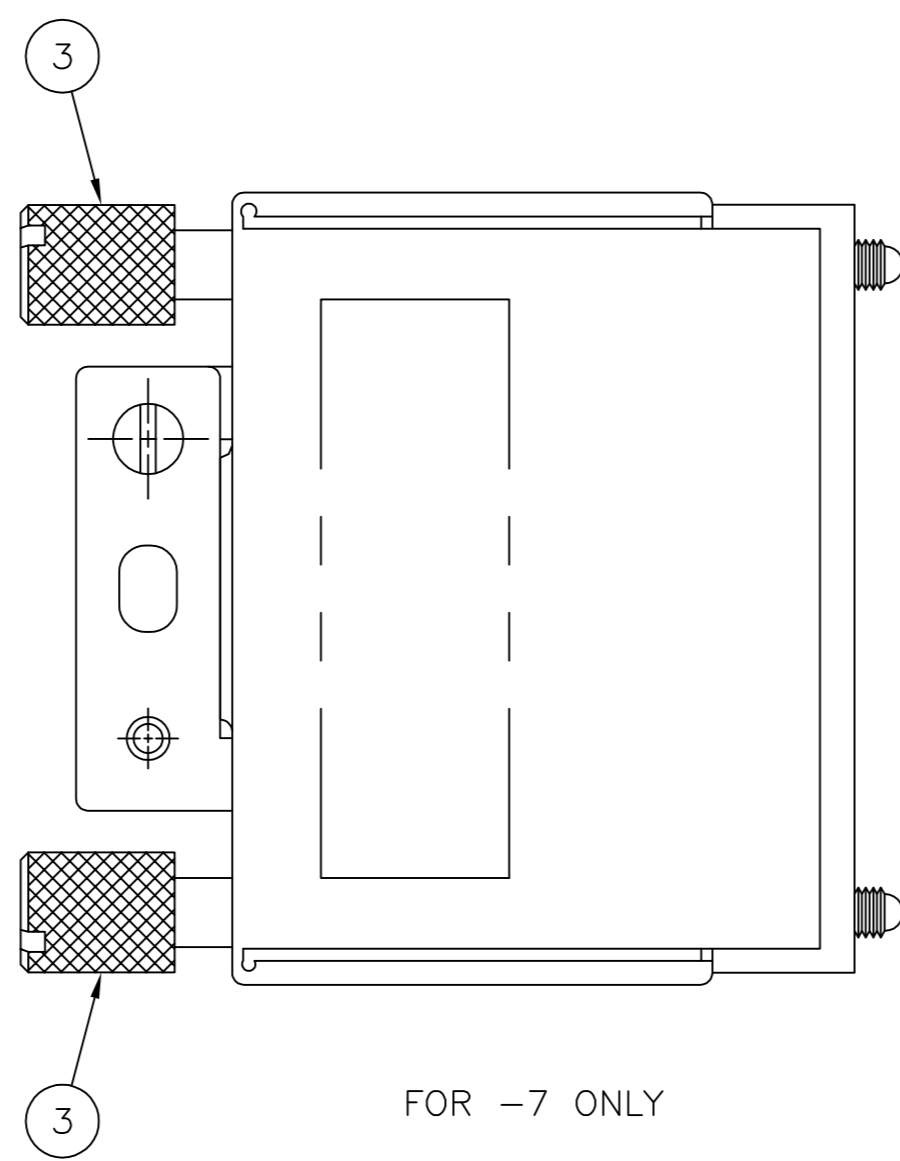
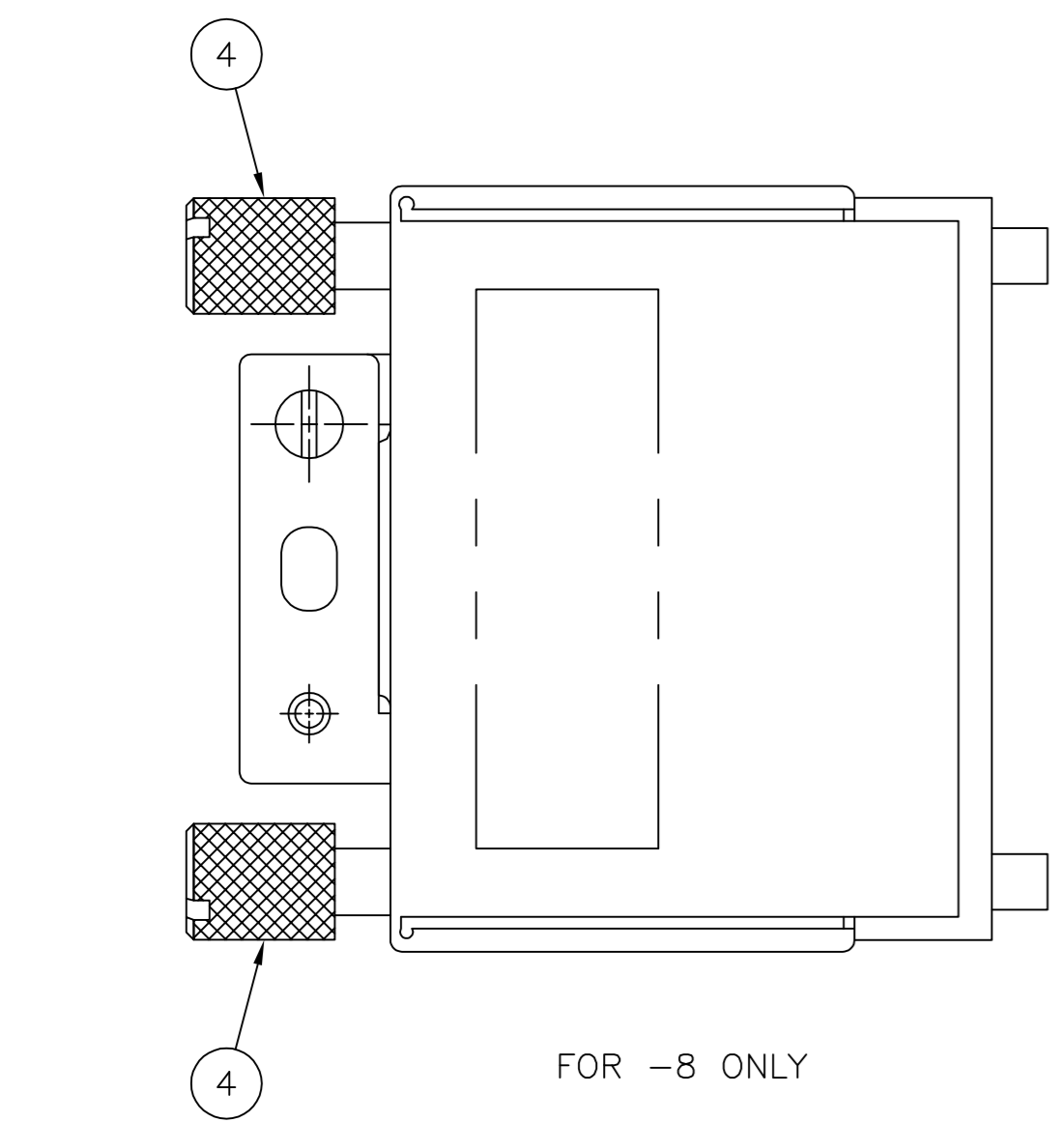
THIS DRAWING IS UNPUBLISHED. RELEASED FOR PUBLICATION
 © COPYRIGHT - By - ALL RIGHTS RESERVED.

REVISIONS					
P	LTR	DESCRIPTION	DATE	DWN	APVD
F5		REVISED PER ECO-16-004000	28SEP2016	NK	MZ
G		REVISED PER ECR-17-002064	28FEB2017	RS	MZ
H		REVISED PER ECO-17-009474	29JUN2017	RS	MZ



- 1 PARTIALLY ASSEMBLED.
- 2 DIMENSION APPLIES AT BASE OF BEND.
- 3 ALL ITEMS BULK PACKAGED SEPARATELY WITHOUT INK MARKING.
- 4 PRELIMINARY PART NO.
- 5 FINISH: ZINC PLATE WITH HEXAVALENT CHROMATE.
- 6 FINISH: ZINC PLATE WITH NON-HEXAVALENT CHROMATE.
- 7 OBSOLETE PARTS: OBSOLETE CIS STREAMLINING PER D.RENAUD/D.SINISI

OBSOLETE	1.530	.1491-.2336	213522-8
OBSOLETE	1.530	.1491-.2336	213522-7
OBSOLETE	1.530	.1491-.2336	213522-6
7 OBSOLETE	1.225	.1491-.2336	213522-5
OBSOLETE	1.530	.0314-.0707	213522-4
7 OBSOLETE	1.530	.1491-.2336	213522-3
	1.530	.1176-.1643	213522-2
	1.530	.1491-.2336	213522-1
DIM A		CABLE AREA SQUARE INCHES	PART NUMBER



QTY	DESCRIPTION	MATERIAL	ITEM NO.
1	RECEPTACLE HOUSING, MOD 2 FEMALE JACKSCREW	PHENOLIC, BLACK	13
6	SCREW, #4-40, .250 LONG	STEEL, PLATED ZINC	12
6	SCREW, #4-40, .375 LONG	STEEL, PLATED ZINC	11
	SHIELD, SHORT/SHORT	ALUMINUM, ANODIZED	10
	CABLE CLAMP	STEEL, PLATED ZINC	9
4	SCREW, #4-40, .250 LONG	STEEL, PLATED ZINC	8
2	SCREW, #4-40, .375 LONG	STEEL, PLATED ZINC	7
	CABLE CLAMP	STEEL, PLATED ZINC	6
2	CABLE CLAMP	STEEL, PLATED ZINC	5
2	JACKSCREW, FEMALE	STAINLESS STEEL	4
	JACKSCREW, MALE	STAINLESS STEEL	3
1	SHIELD, SHORT	ALUMINUM, ANODIZED	2
	RECEPTACLE HOUSING, MOD	PHENOLIC, BLACK	1

THIS DRAWING IS A CONTROLLED DOCUMENT.

DWN: D.ERDMAN 4-6-88
 CHK: R.STONE 4-6-88

TE Connectivity

KIT ASSEMBLY, RECEPTACLE, 34 POSITION, M SERIES

SIZE: A2 CAGE CODE: 00779 DRAWING NO: C=213522

SCALE: 2:1 SHEET: 1 of 1 REV: H