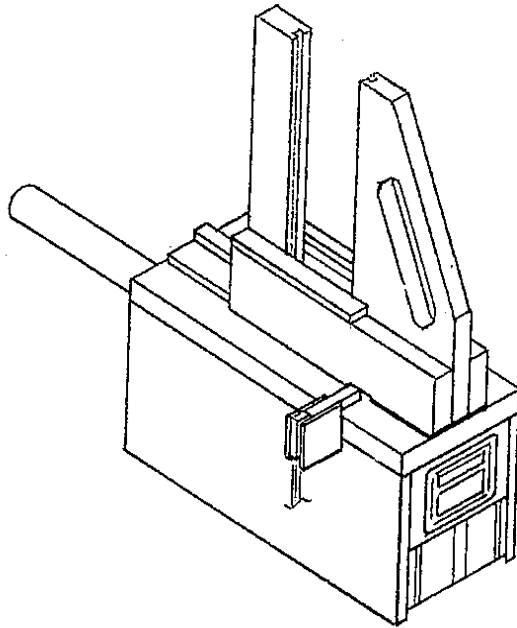




**PB 15 PNEUMATIC TERMINATOR
69127-1050
FOR 90635 (QF50) 10 TO 64 CKT**



MACHINE DESCRIPTION

This machine is for terminating hand placed pre-cut cable into 90635 connectors.

FEATURES

1. Totally Pneumatic
2. Automatic connector re-loading
3. Magazine feed with connector orientation
4. Timer to ensure complete termination cycle
5. Cable insertion triggers termination
6. Cable Guide
7. Quick adjustment between circuit sizes
8. 750 terminations per hour (approx.)

WEIGHT : 28 K
DIMENSIONS : 115 X 430 X 390 HIGH
WORKING SERVICES : 6 BAR
ENGINEERING ORDER NUMBER : 69127-1050