

# SPECIFICATIONS

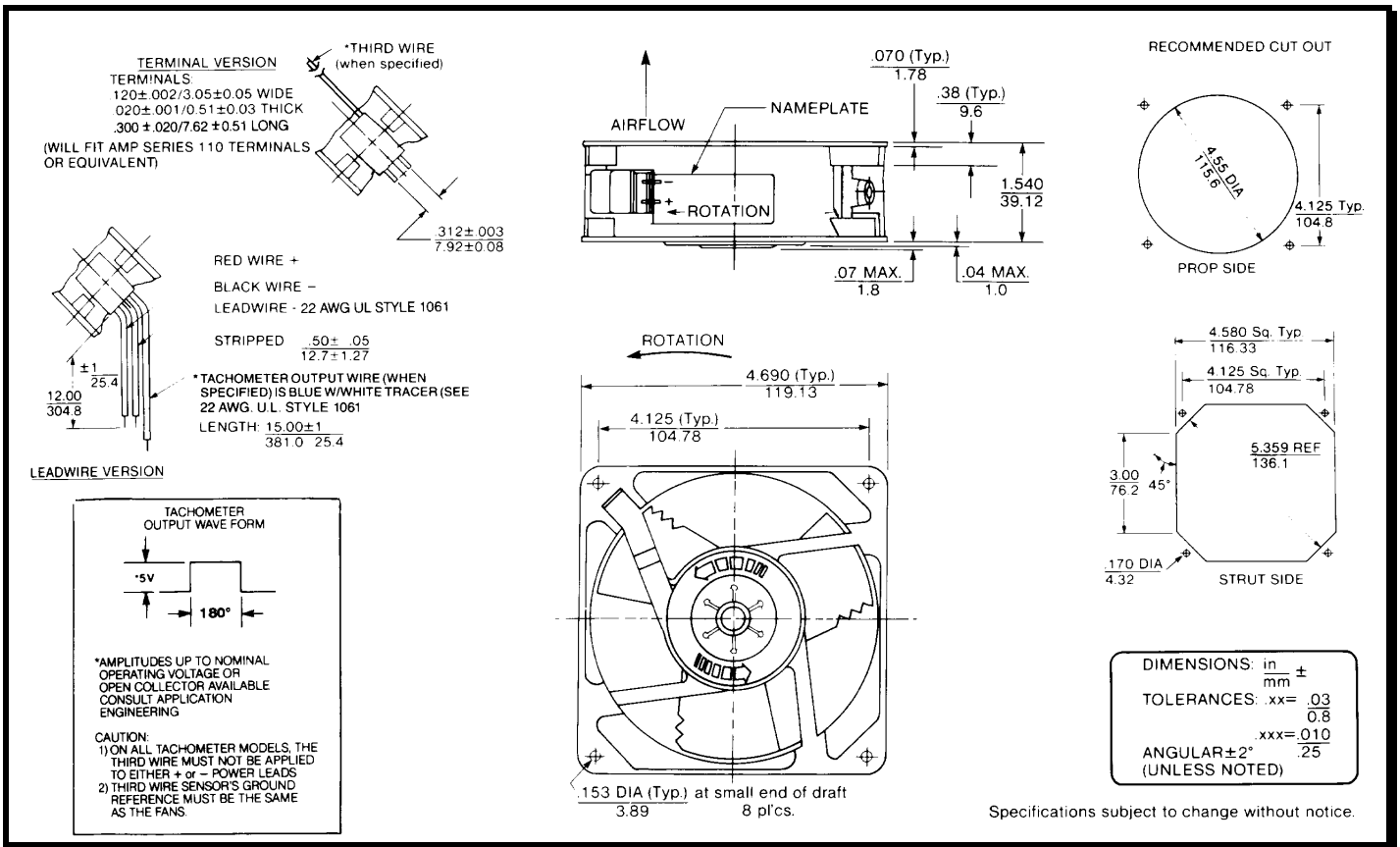
(RoHS Compliant)



**Model Number:** MD12B1  
**Part Number:** 19028865A  
**Drawing Number:** 26013977A01

Jan 24, 2013

## Mechanical Drawing:



### Motor:

Nominal Voltage = 12 vdc  
 Operating Voltage Range = 6 - 14vdc  
 Nominal Running Current = 0.500 amps  
 Locked Rotor Current = 1.650 amps  
 Running Power = 6.0 watts  
 Average Speed = 3330 rpm  
 Bearings = Ball  
 Air Flow = 110 CFM  
 Acoustic = 50 dBA

### Construction:

Venturi: Die-Cast Zinc Alloy, Black  
 Propeller: Plastic, Black, UL 94V-0

### Life Expectancy:

This fan is designed for continuous duty life of 83,000 hours at 40°C.

### Additional Features:

Brushless DC Motor  
 Electronic Locked Rotor Protection  
 Automatic Restart Capability  
 Polarity Protected  
 Operating Temperature -10°C to 70°C  
 Storage Temperature -40°C to 85°C

### Termination:

12" Lead wires, AWG 22, UL 1061  
 Red - Fan Power (+)  
 Black - Fan Ground (-)

### Agency Approvals:

UL