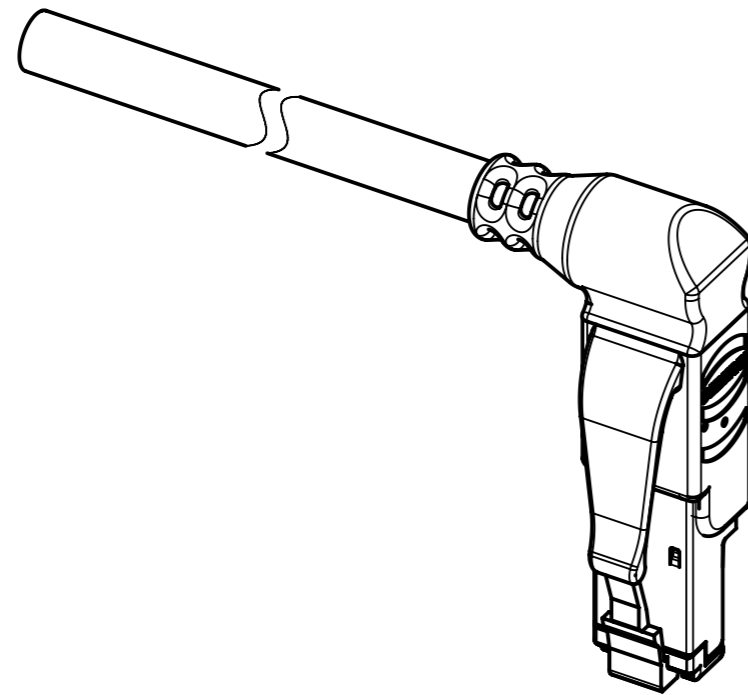


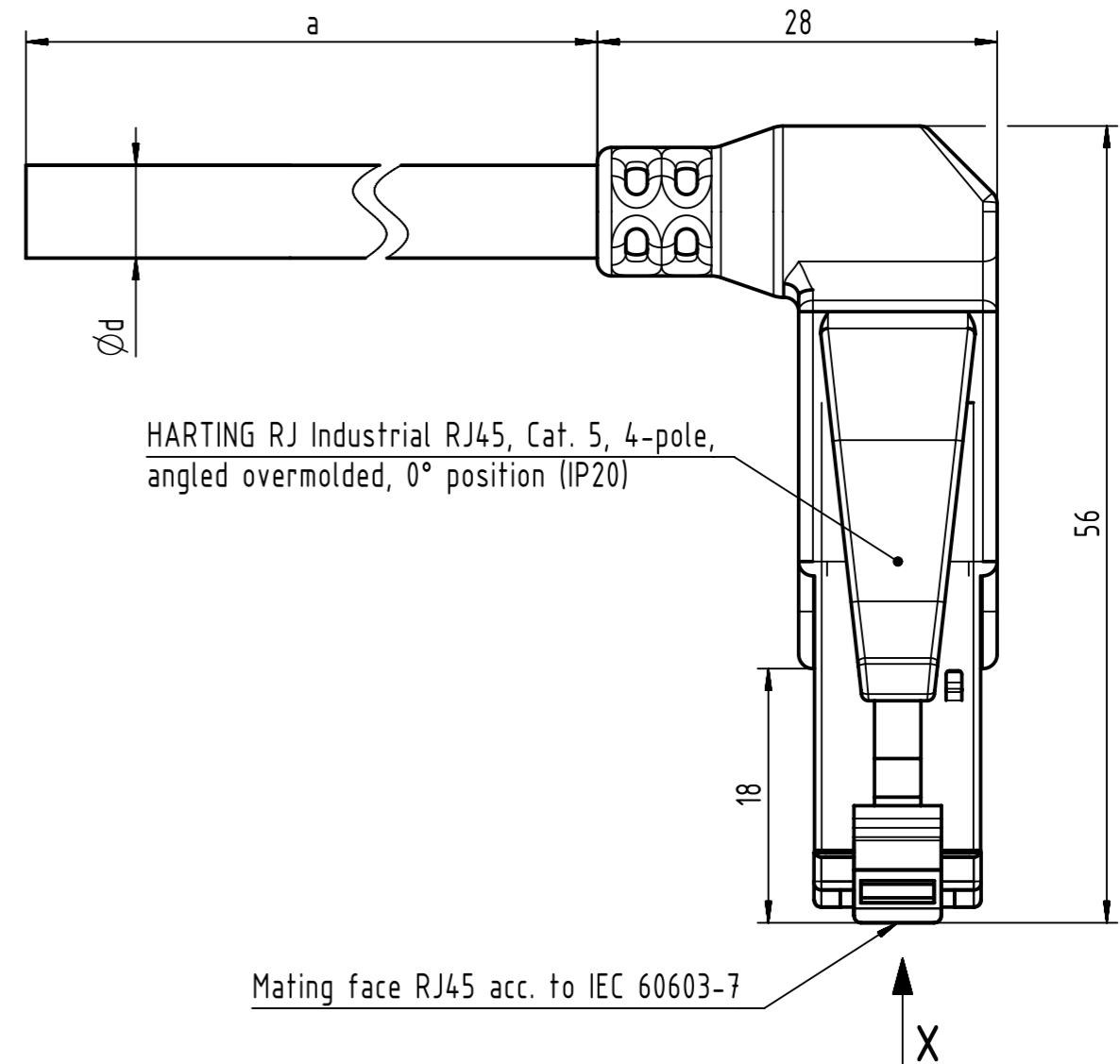
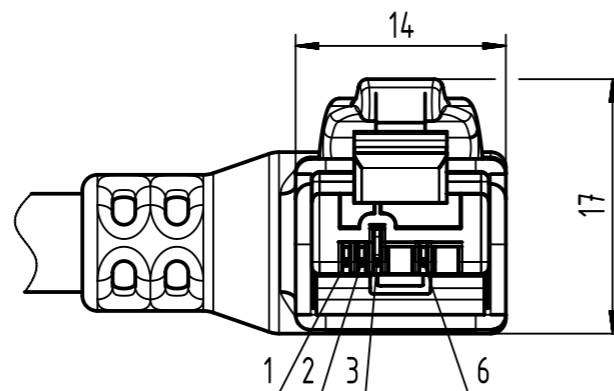
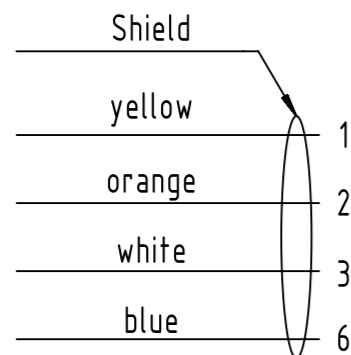
Connector Location A

Connector Location B



X
male

Loading Plan



HARTING RJ Industrial RJ45, Cat. 5, 4-pole, angled overmolded, 0° position (IP20)

Mating face RJ45 acc. to IEC 60603-7

	All rights reserved	Created by STOCHECIC Stochechi	Inspected by COSTEA Costea	Standardisation MUNTEANV Muntean	Date 2019-08-08	State Final Release
	Department HCS - RO	Title RJ Industrial Cable Assembly			Doc-Key / ECM-Nr. 100177621/UGD/010/F 500000156279	
HARTING Customised Solutions D-32339 Espelkamp		Type TB	Number 09470600XXX		Rev. F	Page 1/2

1		2		3		4		5		6		7		8						
A	52	09470600052	RJI Ethernet Trailing Cable, 4xAWG 22/7, PUR, Cat. 5+, green	Ø6.5	6	RJI Ha-VIS EtherRail Flexible Data Cable, 4xAWG 22/7, Cat. 5/5e, black	Ø6.6	0.5	90	09470600090	RJI Ethernet Stranded Cable, 4xAWG 22/7, PVC outdoor, Cat. 5+, black	Ø6.5	100	90	80					
	51	09470600051			5			89					09470600088			90	70			
	50	09470600050			4			88					09470600087			80	60			
	49	09470600049			3			87					09470600086			70	50			
	48	09470600048			2			86					09470600085			60	40			
	47	09470600047			1.5			85					09470600084			30	20			
	46	09470600046			1			84					09470600083			15	13			
	45	09470600045			0.5			83					09470600082			10	9			
	44	09470600044			100			82					09470600081			8	7			
	B	43			09470600043			RJI Ethernet Stranded Cable, 4xAWG 22/7, PVC, Cat. 5+, green					Ø6.5			90	RJI Ethernet Trailing Cable, 4xAWG 22/7, PUR, Cat. 5+, green	Ø6.5	100	66
42		09470600042	80	65	09470600065	90	70													
41		09470600041	70	64	09470600064	80	60													
40		09470600040	60	63	09470600063	70	60													
39		09470600039	50	62	09470600062	60	50													
38		09470600038	40	61	09470600061	50	40													
37		09470600037	30	60	09470600060	40	30													
36		09470600036	20	59	09470600059	30	20													
35		09470600035	15	58	09470600058	20	15													
34		09470600034	10	57	09470600057	15	10													
C	33	09470600033	RJI Ethernet Standard Cable, 4xAWG 22/1, PVC, Cat. 5+, green	Ø6.5	9	RJI Ethernet Trailing Cable, 4xAWG 22/7, PUR, Cat. 5+, green	Ø6.5	100	55	09470600055	RJI Ethernet Standard Cable, 4xAWG 22/1, PVC, Cat. 5+, green	Ø6.5	100	90	80					
	32	09470600032			8			54					09470600054			90	70			
	31	09470600031			7			53					09470600053			80	60			
	30	09470600030			6			Cont. no. Part no. Type of cable Dim. d [mm] Dim. a [m]					70			60				
	29	09470600029			5			All Dimensions in mm Tech. Character. Free size tol. According to production drawing					60			50				
	28	09470600028			4			All rights reserved Created by STOCHECIC Stocheci Inspected by COSTEA Costea Standardisation MUNTEANV Muntean Date 2019-08-08 State Final Release					50			40				
	27	09470600027			3			Department HCS - RO Title RJ Industrial Cable Assembly Doc-Key / ECM-Nr. 100177621/UGD/010/F 500000156279					40			30				
	26	09470600026			2			HARTING Customised Solutions Type TB Number 09470600XXX Rev. F Page 2/2					30			20				
	25	09470600025			1.5								20			15				
	24	09470600024			1								15			10				
D	23	09470600023	RJI Ethernet Standard Cable, 4xAWG 22/1, PVC, Cat. 5+, green	Ø6.5	0.5	RJI Ethernet Trailing Cable, 4xAWG 22/7, PUR, Cat. 5+, green	Ø6.5	100	53	09470600053	RJI Ethernet Standard Cable, 4xAWG 22/1, PVC, Cat. 5+, green	Ø6.5	100	90	80					
	22	09470600022			100								90			80				
	21	09470600021			90								80			70				
	20	09470600020			80								70			60				
	19	09470600019			70								60			50				
	18	09470600018			60								50			40				
	17	09470600017			50								40			30				
	16	09470600016			40								30			20				
	15	09470600015			30								20			15				
	14	09470600014			20								15			10				
E	13	09470600013	RJI Ethernet Standard Cable, 4xAWG 22/1, PVC, Cat. 5+, green	Ø6.5	15	RJI Ethernet Trailing Cable, 4xAWG 22/7, PUR, Cat. 5+, green	Ø6.5	100	53	09470600053	RJI Ethernet Standard Cable, 4xAWG 22/1, PVC, Cat. 5+, green	Ø6.5	100	90	80					
	12	09470600012			10								90			80				
	11	09470600011			9								80			70				
	10	09470600010			8								70			60				
	9	09470600009			7								60			50				
	8	09470600008			6								50			40				
	7	09470600007			5								40			30				
	6	09470600006			4								30			20				
	5	09470600005			3								20			15				
	4	09470600004			2								15			10				
F	3	09470600003	RJI Ethernet Standard Cable, 4xAWG 22/1, PVC, Cat. 5+, green	Ø6.5	1.5	RJI Ethernet Trailing Cable, 4xAWG 22/7, PUR, Cat. 5+, green	Ø6.5	100	53	09470600053	RJI Ethernet Standard Cable, 4xAWG 22/1, PVC, Cat. 5+, green	Ø6.5	100	90	80					
	2	09470600002			1								90			80				
	1	09470600001			0.5								80			70				
	Cont. no.	Part no.			Type of cable			Dim. d [mm]					Dim. a [m]						70	60
								All Dimensions in mm Tech. Character. Free size tol. According to production drawing					60			50				
								All rights reserved Created by STOCHECIC Stocheci Inspected by COSTEA Costea Standardisation MUNTEANV Muntean Date 2019-08-08 State Final Release					50			40				
								Department HCS - RO Title RJ Industrial Cable Assembly Doc-Key / ECM-Nr. 100177621/UGD/010/F 500000156279					40			30				
								HARTING Customised Solutions Type TB Number 09470600XXX Rev. F Page 2/2					30			20				
													20			15				
													15			10				