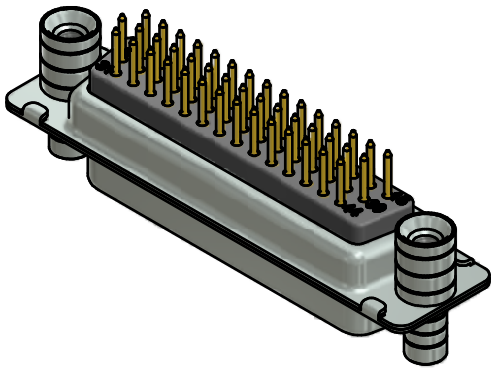
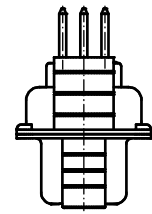
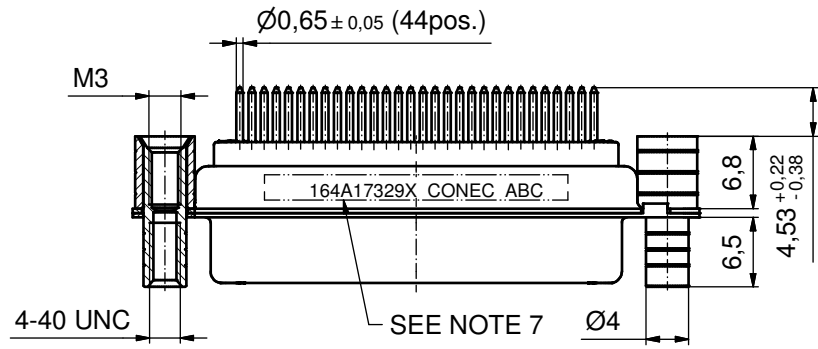
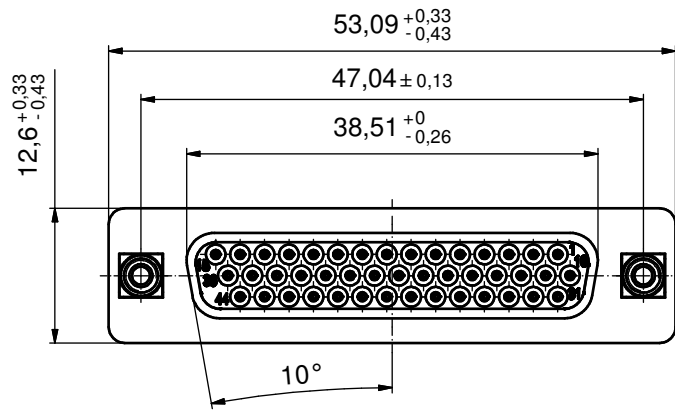
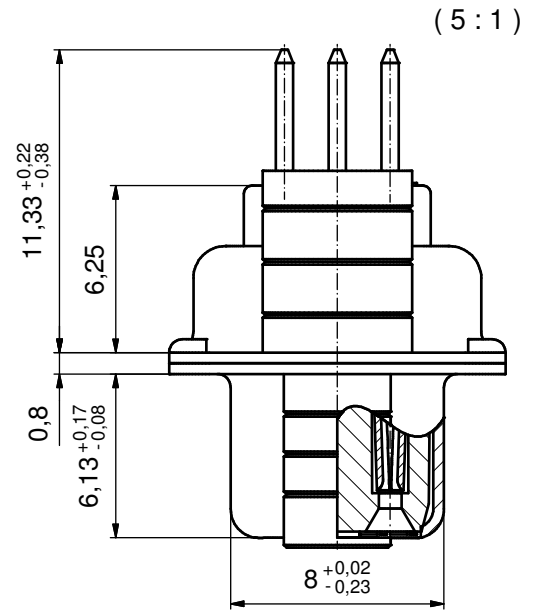


P.C.B. HOLE DRILLINGS
(P.C.B. TOP SIDE)



NOTES:

- METALSHELLS: STEEL; min. 315µin TIN over 40-80µin NICKEL
- INSULATORS: PBT GF UL 94 V-0; BLACK
- CONTACTS: COPPER ALLOY
PLATING: GOLD FLASH over NICKEL
- THREADED REAR SPACERS / FRONT THREADED LOCKS:
COPPER ALLOY; min. 200µin TIN over 80µin NICKEL
- SLEEVES: COPPER ALLOY; min. 200µin TIN over 80µin NICKEL
- MAXIMUM TORQUE VALUE FOR THREAD: 6 in.LB
- CONNECTOR IS PART MARKED: 164A17329X CONEC ABC

Directive 2002/95/EC RoHS compliant

THIS DRAWING MAY NOT BE COPIED OR REPRODUCED IN ANY WAY, AND MAY NOT BE PASSED ON TO A THIRD PARTY WITHOUT WRITTEN PERMISSION. OWNERSHIP AND COPYRIGHT OF CONEC GmbH DO NOT ALTER CAD DRAWING BY HAND	tolerance		dim. in mm		scale: 2:1 (5:1)	
					material: SEE NOTES	
			date	name	title: D-SUB HD FEMALE 44pos. SOLDER PIN STRAIGHT with threaded rear spacer and front threaded lock	
			drawn 24.05.11	Henneboel		
			appd. 26.05.11	Fischer		
			norm			
			d-old		dwg no:	DIN-A3
a	Original			16K1A2830	sh: 1	
rev.	description			date	name	part no: 164A17329X