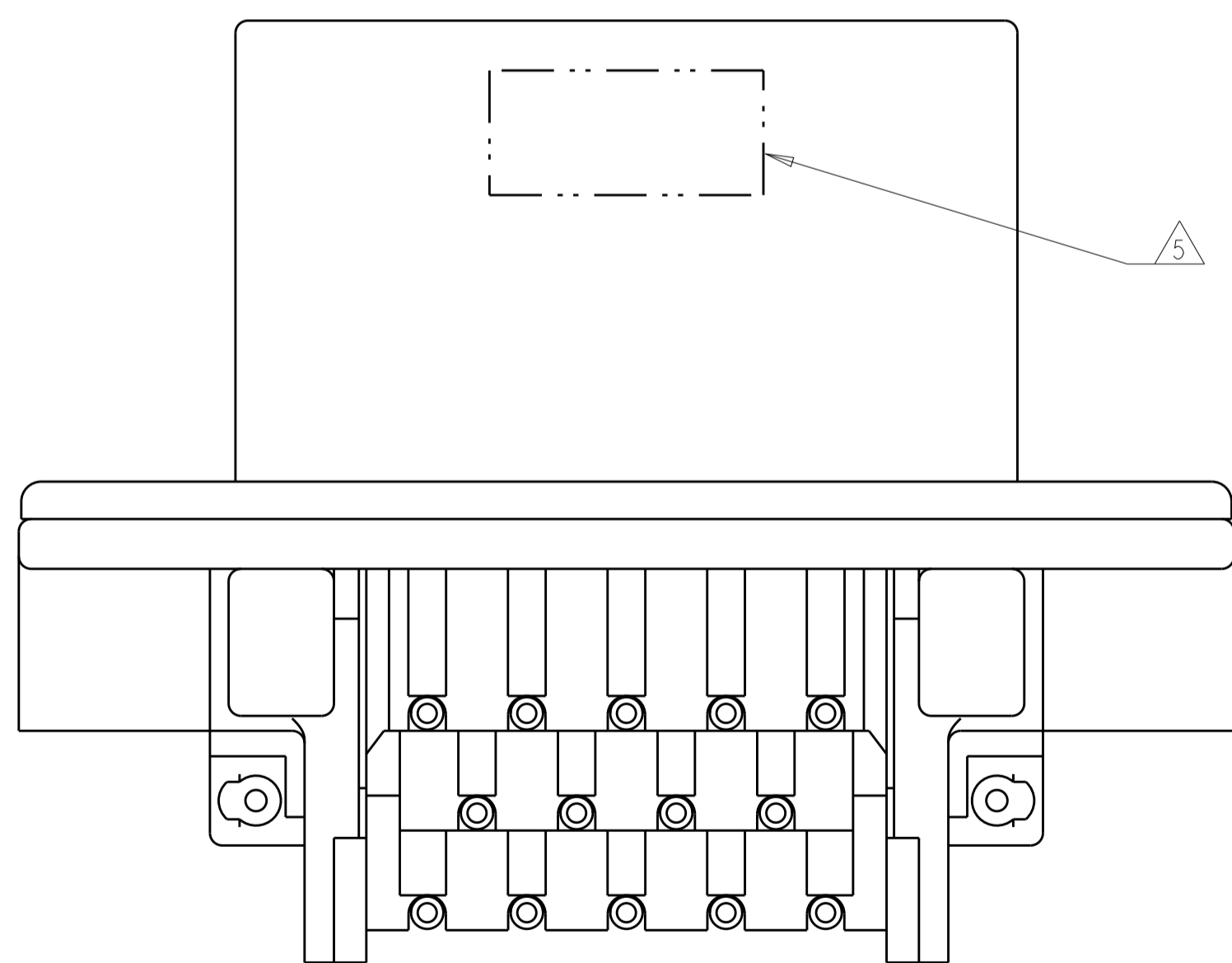
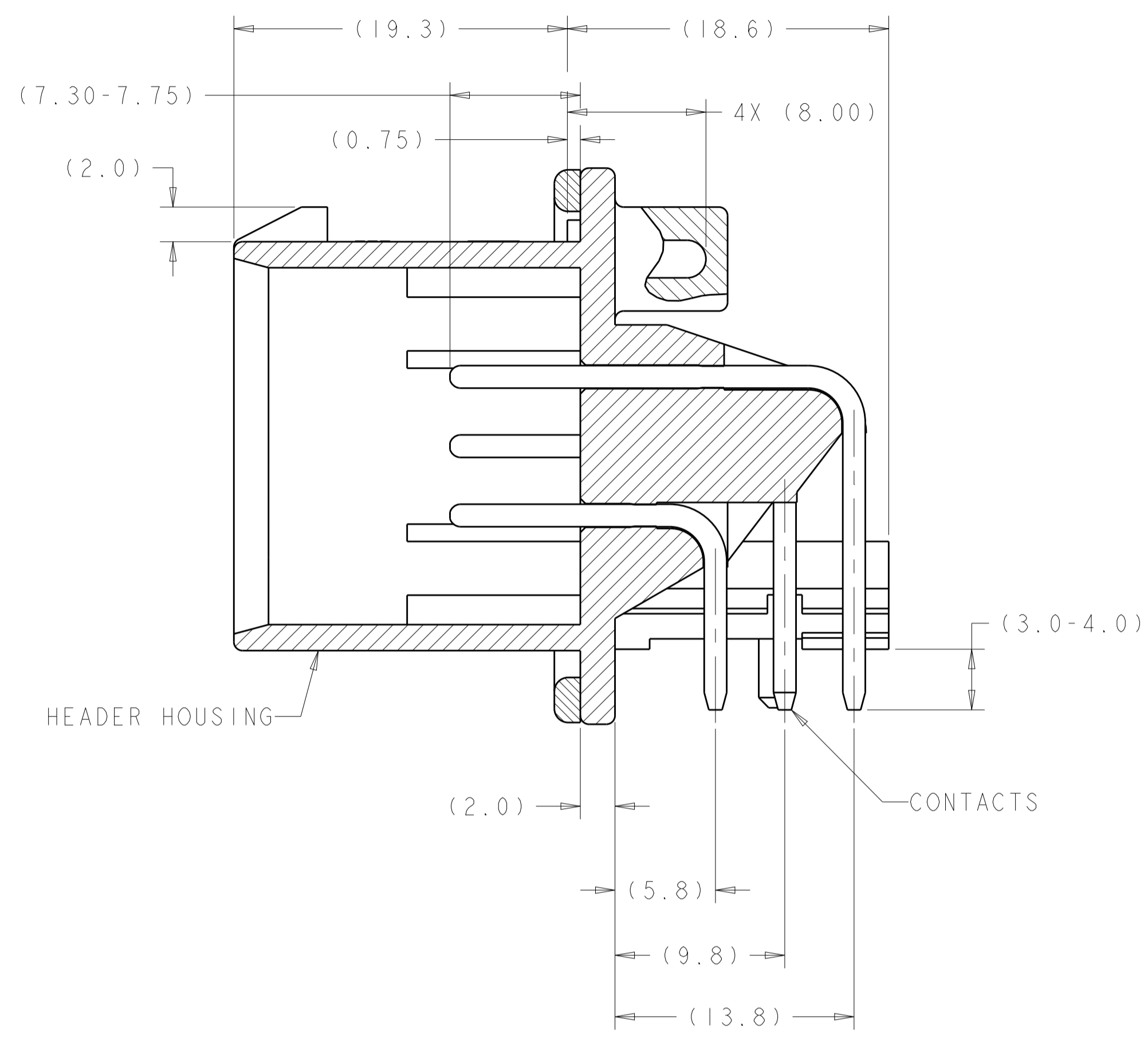
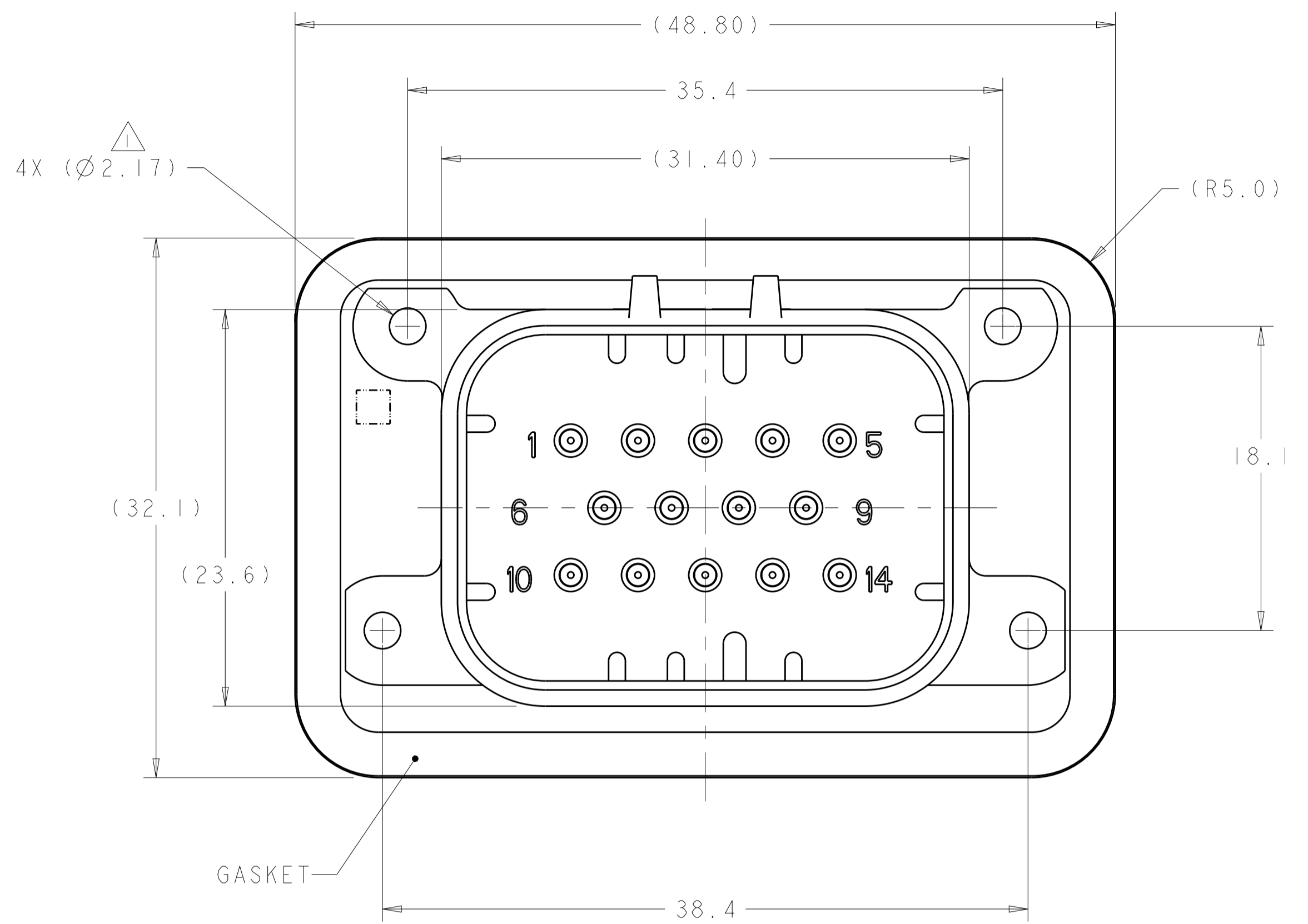


REVISIONS				
P.	LTN	DESCRIPTION	DATE	APVD
B8		REVISED PER ECO-19-009419	19JUN2019	DS DS
B9		REVISED PER ECO-20-004256	25MAR2020	JM DS
B10		REVISED PER PCN E-20-016603	24NOV2020	PN DS
B11		REV PER ECO-21-001365	29JAN2021	DS DS



- △ SUGGESTED MOUNTING SCREW SIZE IS Ø2.50-3.00mm (Ø0.099 - 0.118 INCH) SELF TAPPING THREAD FORMING SCREW, SUCH AS DELTA PT, TO BE DRIVEN AT 0.6-0.8 N-m. THE CUSTOMER SHOULD TEST THE SCREW SIZE AND TYPE IN ORDER TO VERIFY THEIR SELECTION FOR THEIR APPLICATION.
- △ HOUSING COLORS ARE MECHANICALLY KEYS TO MATE ONLY WITH IDENTICALLY COLORED PLUG ASSEMBLIES.
- 3. HEADER MATES TO PLUG ASSEMBLY 776273 WHICH USES REELED TERMINAL 770520 OR LOOSE PIECE TERMINAL 770854
- △ MATERIAL: GASKET - SILICONE  
 HEADER HOUSING - GLASS FILLED PBT  
 PINS - TIN OR GOLD PLATED BRASS
- △ DATE CODE TO BE BRANDED ON THIS SURFACE PER TE SPEC 102-60. USE 5 DIGIT CODE: FIRST 2 DIGITS = YEAR, SECOND 2 DIGITS = WEEK, LAST DIGIT = DAY.

776267-1 & 1-776267-1 SHOWN

HEADER HOUSING COLOR	DESCRIPTION	PART NUMBER
BLUE	GOLD PLATED	1-776267-5
GRAY	GOLD PLATED	1-776267-4
NATURAL	GOLD PLATED	1-776267-2
BLACK	GOLD PLATED	1-776267-1
BLUE	TIN PLATED	776267-5
GRAY	TIN PLATED	776267-4
NATURAL	TIN PLATED	776267-2
BLACK	TIN PLATED	776267-1

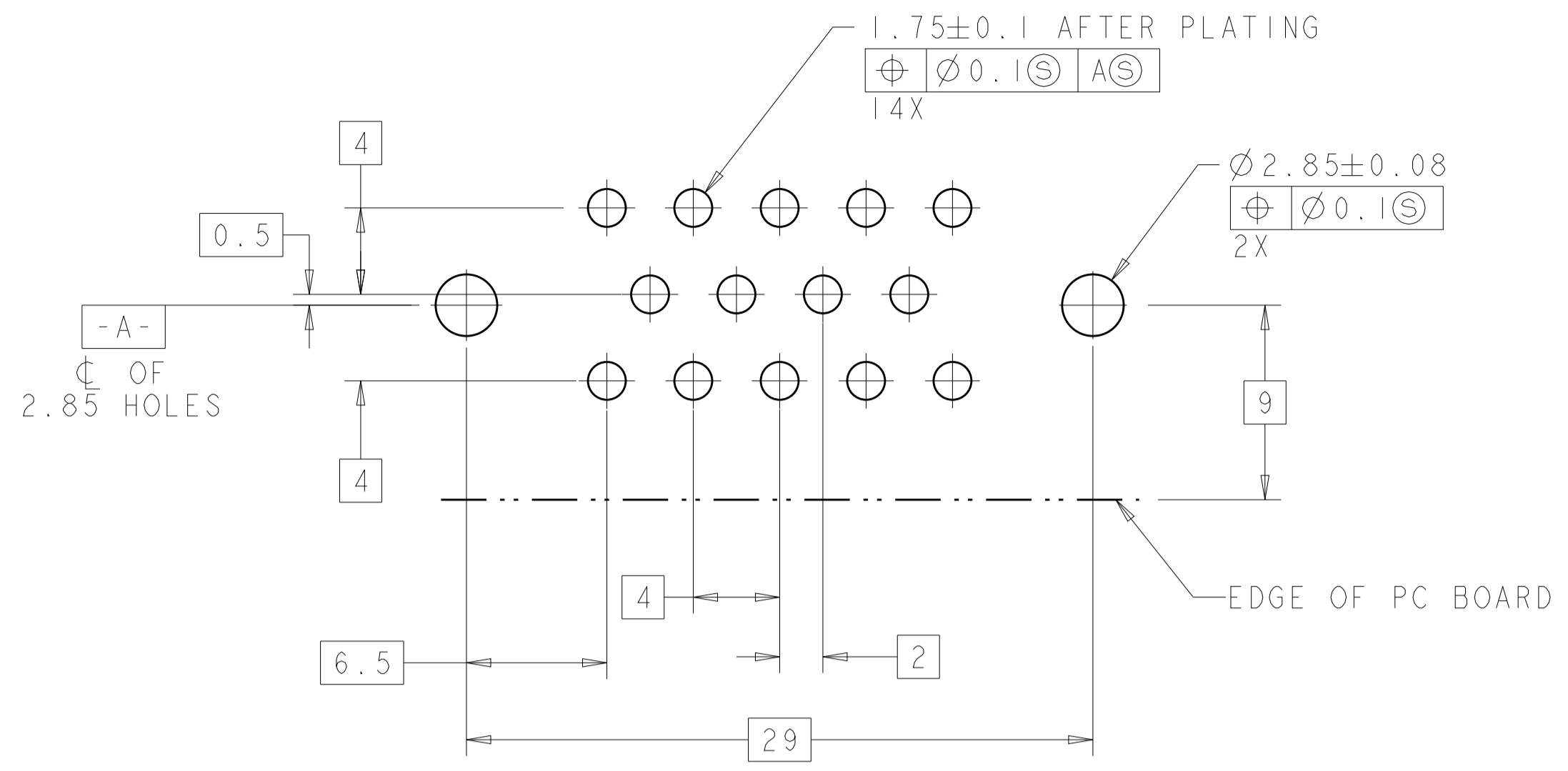
THIS DRAWING IS A CONTROLLED DOCUMENT.

DIMENSIONS:	TOLERANCES UNLESS OTHERWISE SPECIFIED:	OWN: D. DRUMMOND 18AUG2010	NAME: D. STRAUSSER
mm	0 PLC ±0.2	CHK: D. STRAUSSER 18AUG2010	PRODUCT SPEC: 108-1329
	1 PLC ±0.13	APVD: D. STRAUSSER 18AUG2010	APPLICATION SPEC: 114-16016
	2 PLC ±0.13		WEIGHT: 21.10g
	3 PLC ±0.13		CUSTOMER DRAWING
	4 PLC ±0.13		
	ANGLES ±4°		

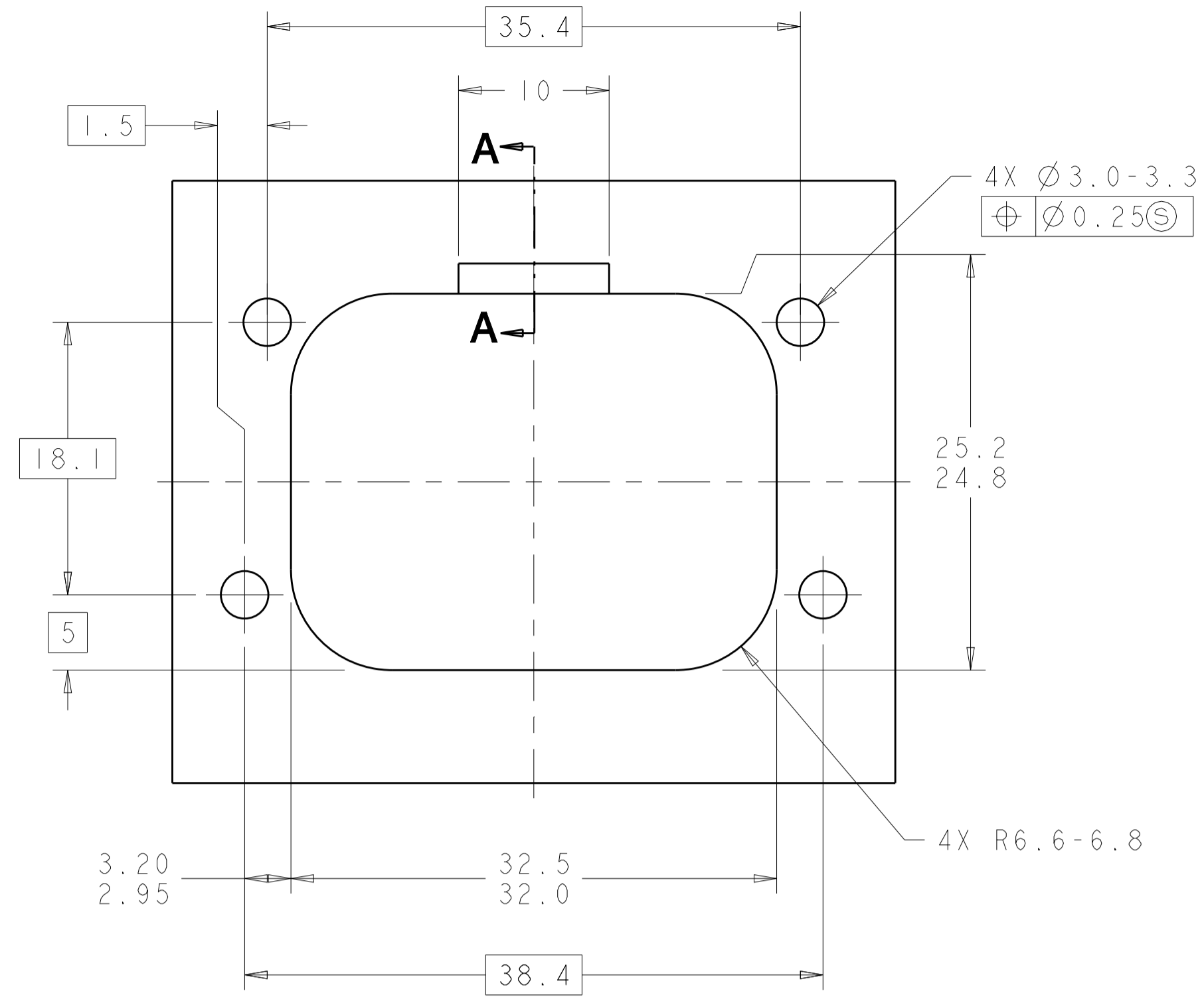
TE Connectivity  
**STE**  
 HEADER ASSEMBLY, 14 POSITION, RIGHT ANGLE, AMPSEAL

SCALE: 4:1 SHEET 1 OF 2

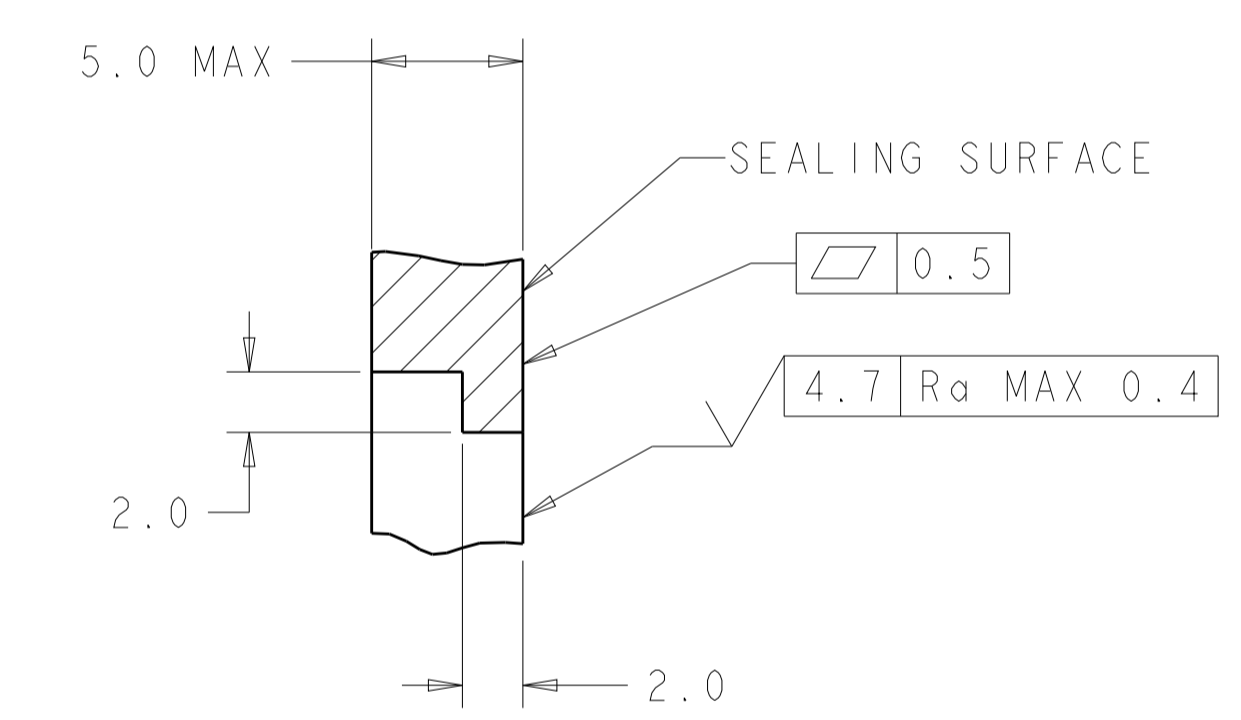
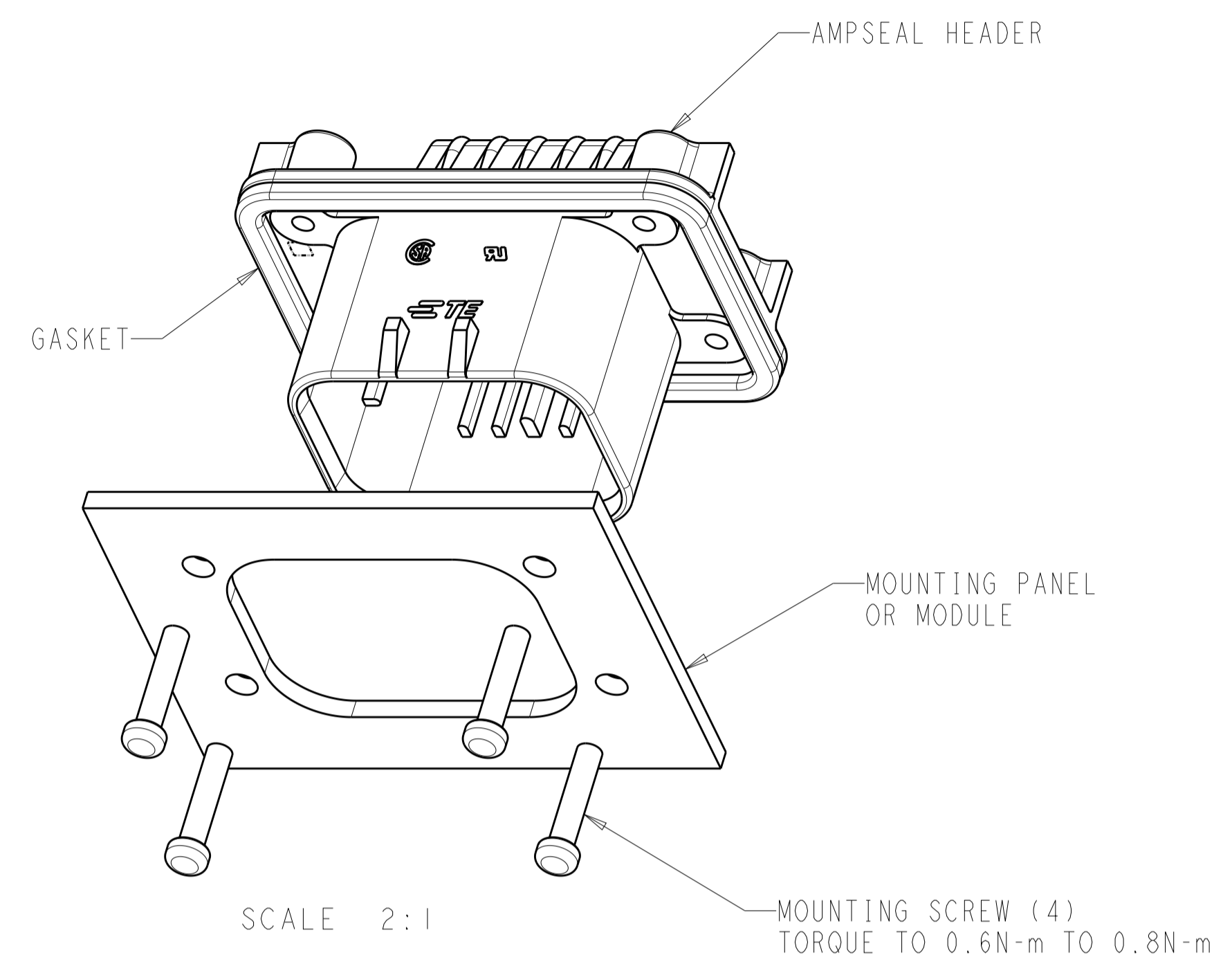
REVISIONS				
P.	LTN.	DESCRIPTION	DATE	APVD.
-	-	SEE SHEET 1	-	-



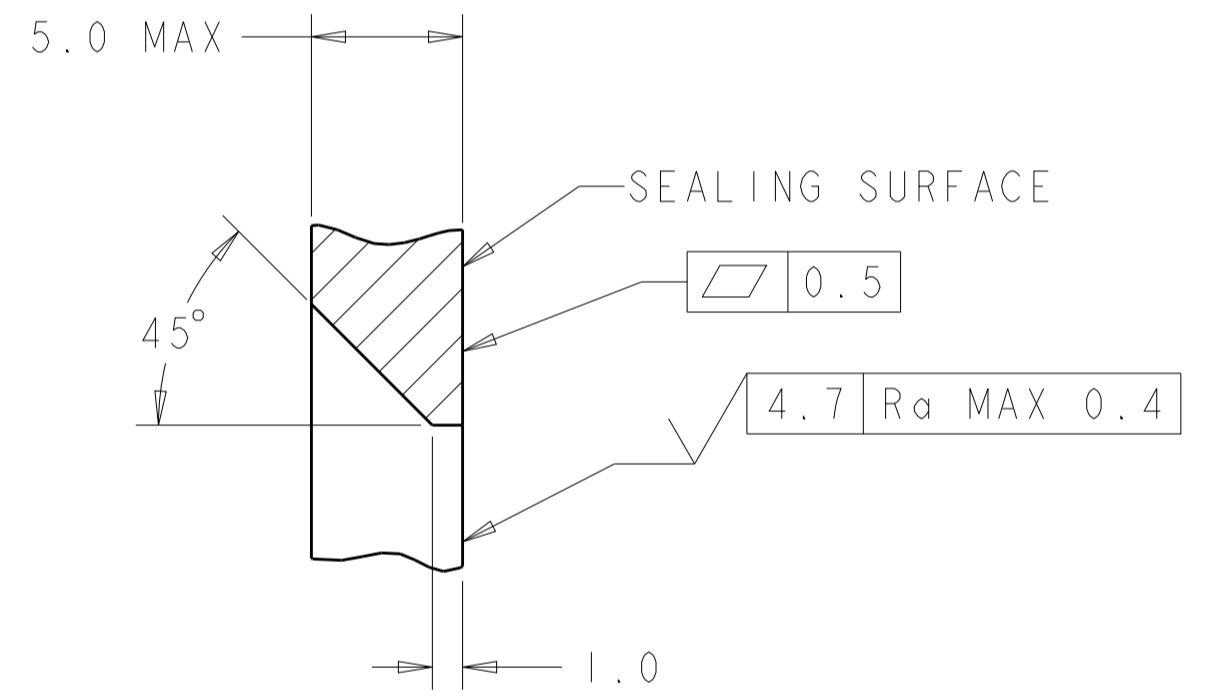
RECOMMENDED PC BOARD LAYOUT FOR 1.57 PC BOARD



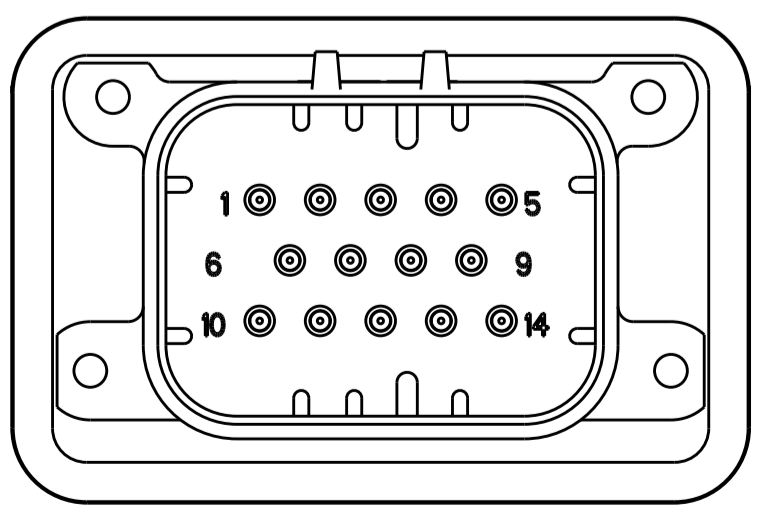
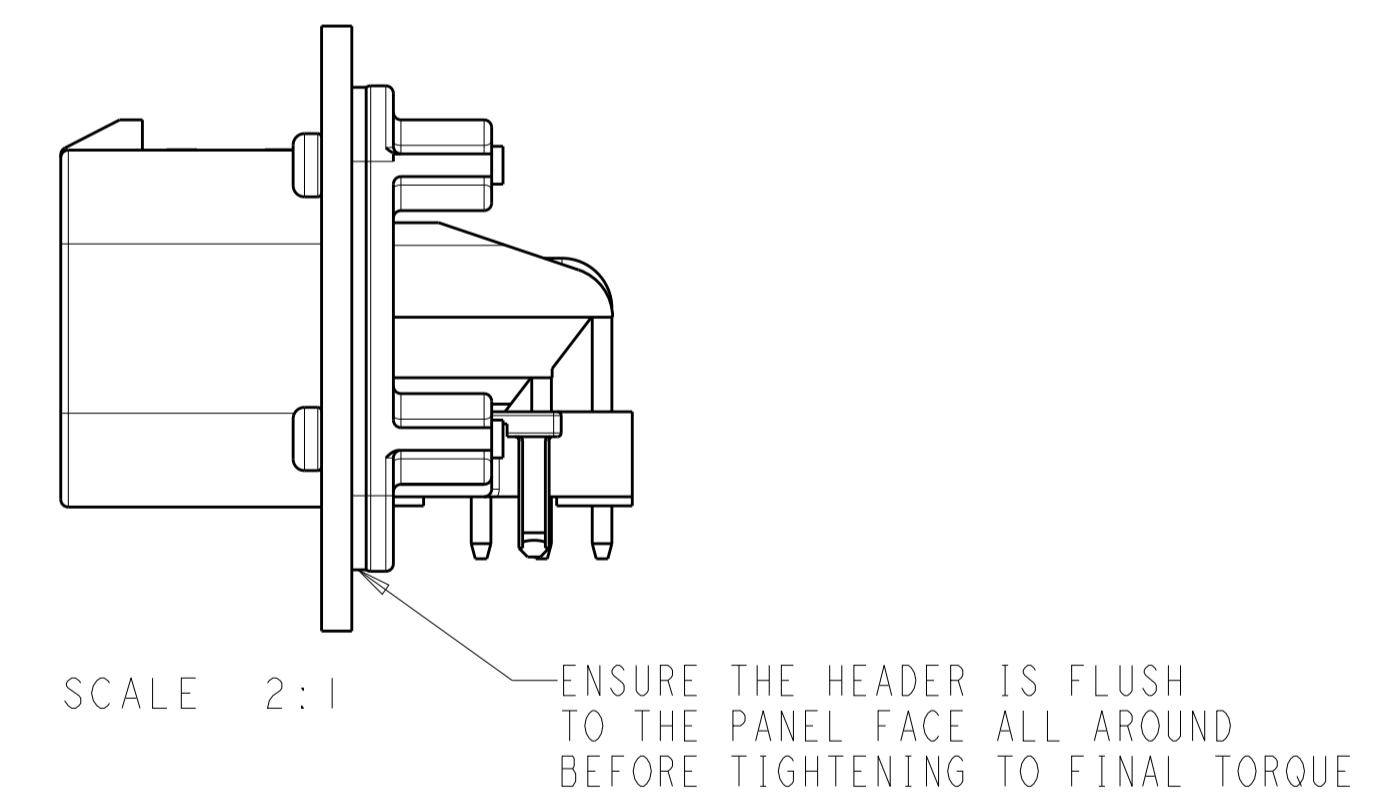
RECOMMENDED MOUNTING HOLE LAYOUT FOR 5.0 MAX THICK PANEL



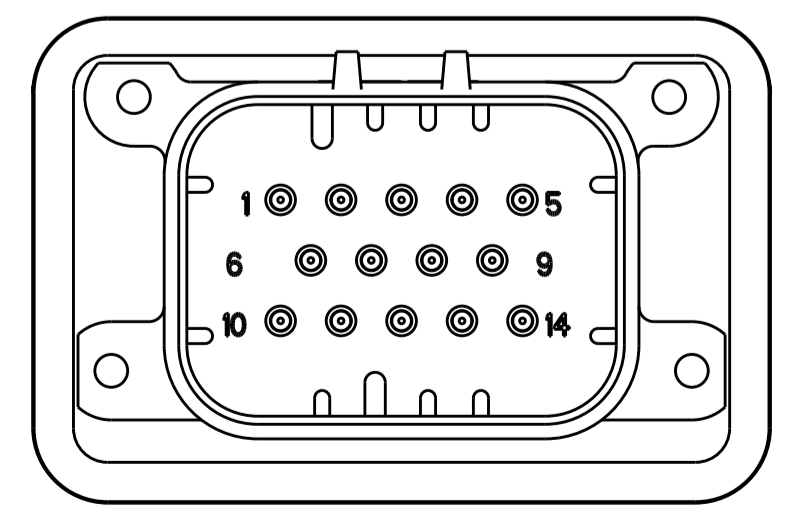
SECTION A-A  
OPTIONAL CONSTRUCTION IF THICKNESS IS GREATER THEN 2.0



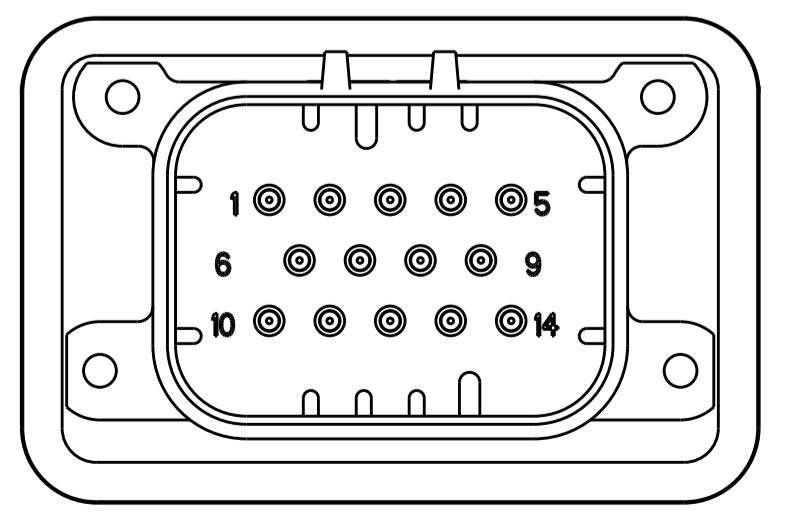
SECTION A-A  
OPTIONAL CONSTRUCTION IF THICKNESS IS GREATER THEN 2.0



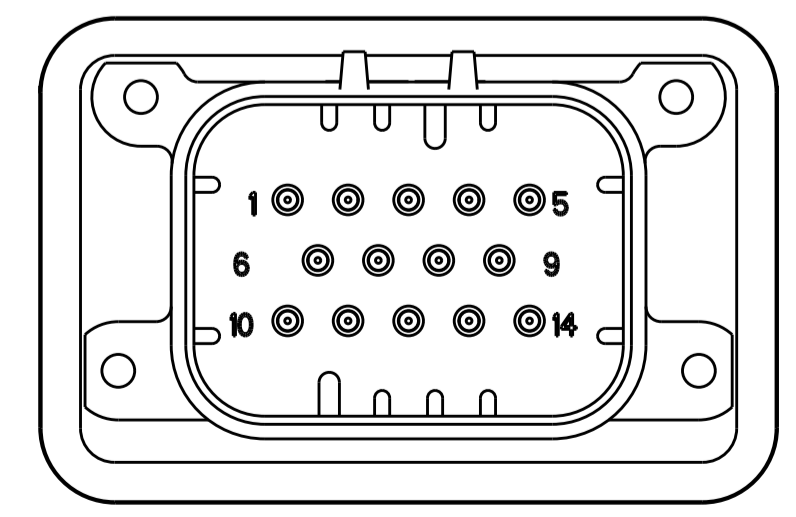
776267-1 & 1-776267-1  
KEY LOCATION  
SCALE 2:1



776267-2 & 1-776267-2  
KEY LOCATION  
SCALE 2:1



776267-4 & 1-776267-4  
KEY LOCATION  
SCALE 2:1



776267-5 & 1-776267-5  
KEY LOCATION  
SCALE 2:1

THIS DRAWING IS A CONTROLLED DOCUMENT.		DWN: D. DRUMMOND 18AUG2010 CHK: D. STRAUSSER 18AUG2010 APVD: D. STRAUSSER 18AUG2010	TE Connectivity	
DIMENSIONS:	TOLERANCES UNLESS OTHERWISE SPECIFIED:	PRODUCT SPEC	NAME: HEADER ASSEMBLY, 14 POSITION, RIGHT ANGLE, AMPSEAL	
mm	0 PLC ±0.2 2 PLC ±0.13 3 PLC ±0.13 4 PLC ±0.13 ANGLES ±0.5°	108-1329	SIZE: 114-16016	RESTRICTED TO
MATERIAL:	FINISH:	APPLICATION SPEC	WEIGHT: 21.10	SCALE: 4:1
CUSTOMER DRAWING		114-16016	A100779C=776267	SHEET 2 OF 2