

1/0 CABLE SIZE

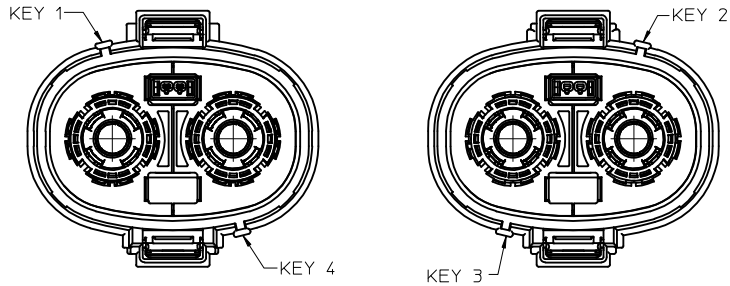
KIT PART NUMBER	KEYING OPTION	CABLE
171466-9001	A	CHAMPLAIN CABLE CORP EXRAD-FSX1/0X
171466-9002	B	

1 AWG CABLE SIZE

KIT PART NUMBER	KEYING OPTION	CABLE
171466-9101	A	CHAMPLAIN CABLE CORP EXRAD-FSX1X
171466-9102	B	

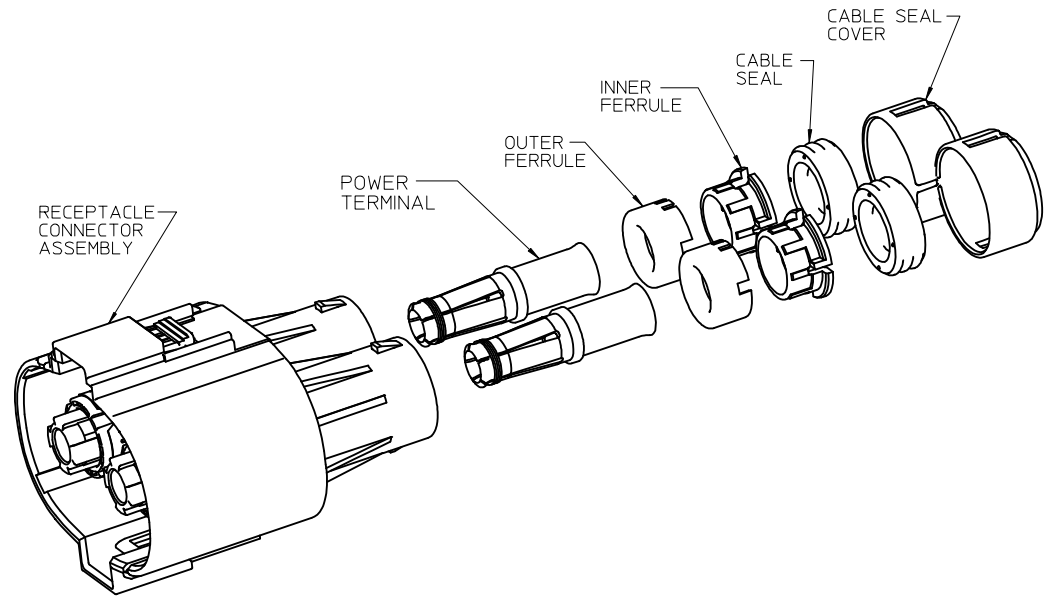
NOTES:

- ONE KIT CONTAINS THE COMPONENTS REQUIRED TO TERMINATE 30 SINGLE ENDED HARNESSSES OR 15 DOUBLE ENDED HARNESSSES. POWER CABLE PURCHASED SEPARATELY
- SEE MOLEX APPLICATION SPECIFICATION AS-171467-001 FOR POWER CABLE INFORMATION, PROCESSING AND ASSEMBLY REQUIRMENTS
- PRODUCT SPECIFICATION: PS-171467-001
- APPLICATION SPECIFICATION AS-171467-001
- POWER CIRCUITS FOR USE WITH MOLEX TERMINAL 31561-70\*\* PER MOLEX DRAWING SD-31561-70\*\*
- KITS TO BE PACKAGED WITH THE RECEPTACLE CONNECTOR ASSEMBLY AND POWER TERMINALS TRAY PACKED AND THE REMAINING COMPONENTS BULK PACKED. PACKAGING KIT DRAWING NO PK-171466-999



KEYING OPTION A  
(MOLEX STANDARD  
KEYING VERSION)

KEYING OPTION B



PACK KIT COMPONENTS

USE OF THIS PRODUCT REQUIRES THAT APPROPRIATE HIGH VOLTAGE WARNING LABELS BE APPLIED TO THE CABLE ASSEMBLY AND/OR IN CLOSE PROXIMITY OF THE MATED CONNECTOR APPLICATION IN A MANNER THAT PROVIDES SUITABLE WARNING TO THE END USER AND MEETS APPLICABLE LAWS. IT IS THE RESPONSIBILITY OF THE OEM OR MANUFACTURER OF THE PRODUCT IN WHICH THIS CONNECTOR SYSTEM IS USED TO APPLY THE APPROPRIATE HIGH VOLTAGE WARNING LABEL(S) TO THE FINAL PRODUCT. TO THE EXTENT MOLEX IS NOT RESPONSIBLE FOR THE FINAL CABLE ASSEMBLY, MOLEX DISCLAIMS ALL WARRANTIES AND LIABILITY THAT RESULT FROM A FAILURE TO PROVIDE AN APPROPRIATE WARNING.

<b>REVISED NOTE 5</b> EC NO: UCP2014-5284 DRWNG: JUILLES 2014/06/17 CHKD: MDATA 2014/06/17 APPR: APATEL 2014/06/24	QUALITY SYMBOLS	GENERAL TOLERANCES (UNLESS SPECIFIED)	DIMENSION STYLE <b>MM ONLY</b>	SCALE <b>1:1</b>	DESIGN UNITS <b>METRIC</b>	THIRD ANGLE PROJECTION
	▽=0	mm INCH	DRAWN BY DATE	TITLE		
	▽=0	4 PLACES ± --- ± ---	MDATA 2013/02/15	KIT ASSY RECEPT HARNESS SEALED AND SHIELDED IMPERIUM 2 CKT		
	▽=0	3 PLACES ± --- ± ---	CHECKED BY DATE			
	▽=0	2 PLACES ± 0.13 ± ---	MDATA 2013/02/15			
		1 PLACE ± 0.25 ± ---	APPROVED BY DATE	DOCUMENT NO.		
	0 PLACE ± --- ± ---	APATEL 2013/03/18	SD-171466-9000			
6	ANGULAR ±1/2°	DRAFT WHERE APPLICABLE MUST REMAIN WITHIN DIMENSIONS	MATERIAL NO. <b>SEE CHART</b>	SHEET NO. 1 OF 1		
			THIS DRAWING CONTAINS INFORMATION THAT IS PROPRIETARY TO MOLEX INCORPORATED AND SHOULD NOT BE USED WITHOUT WRITTEN PERMISSION			