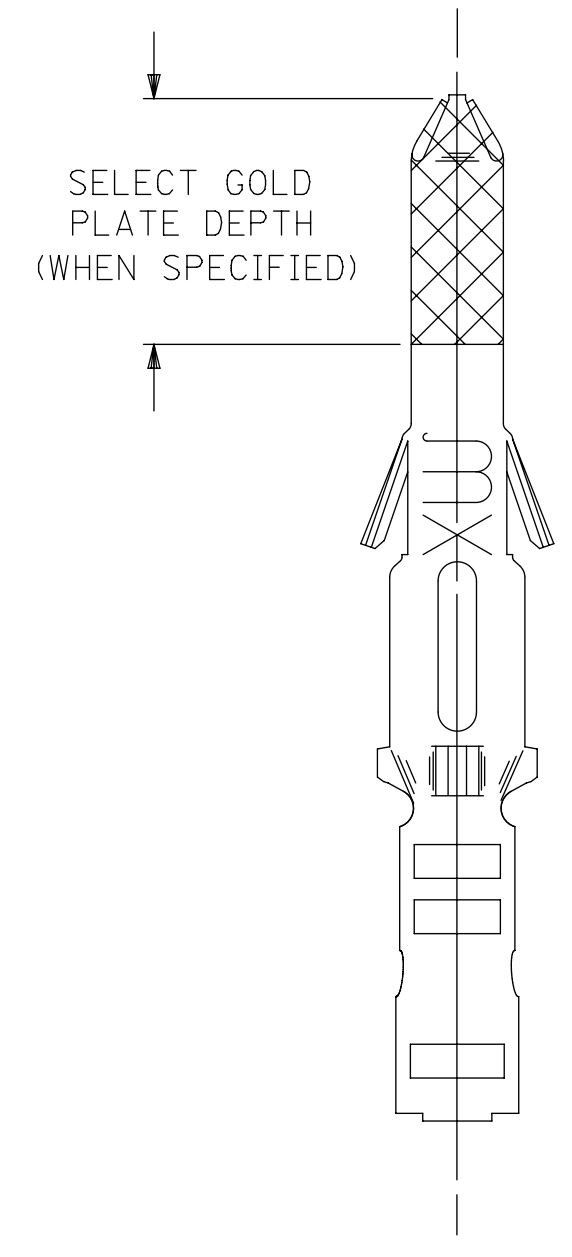
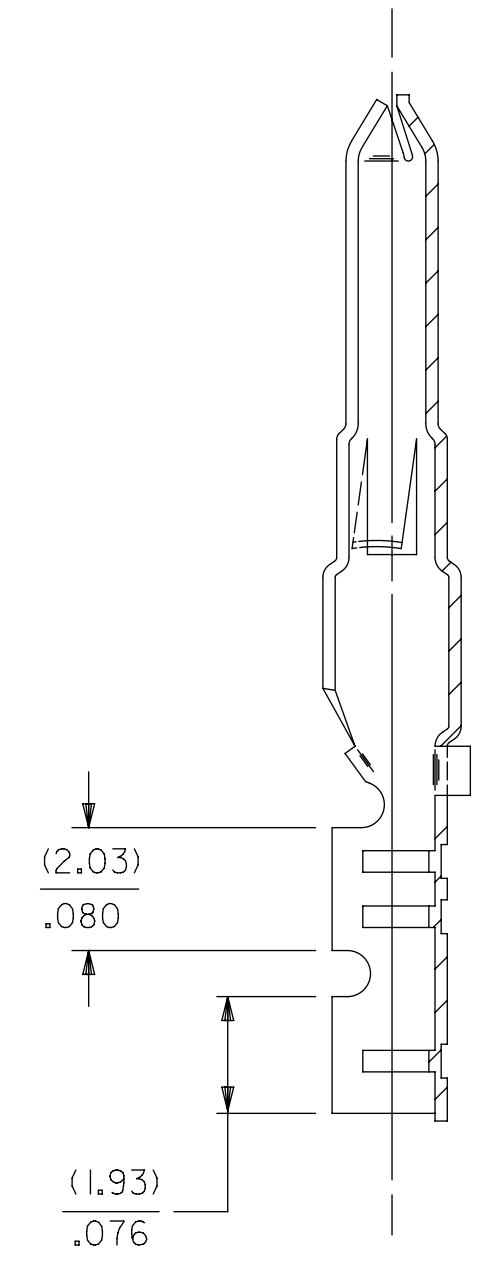
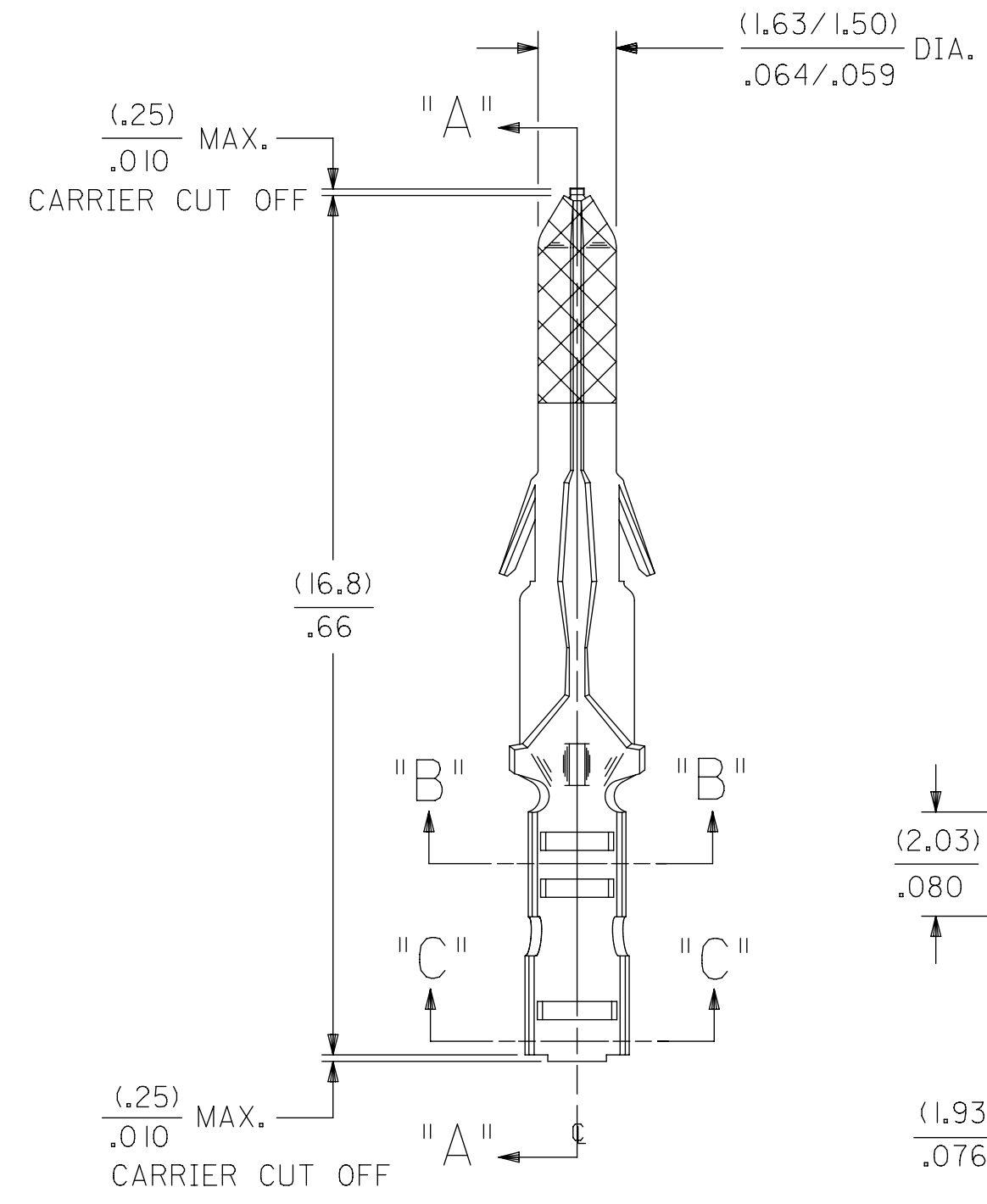
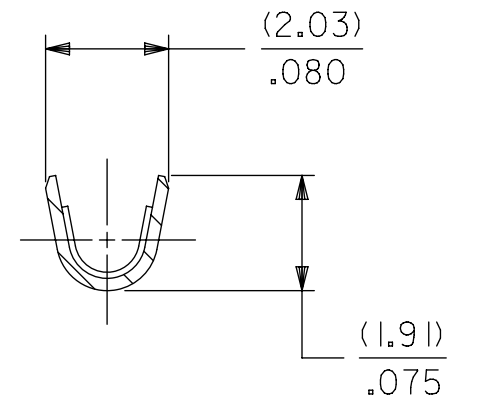
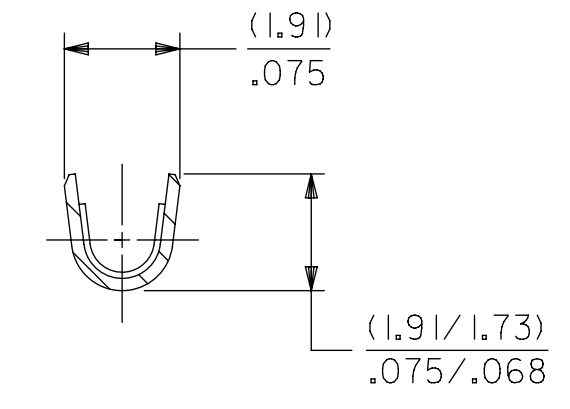
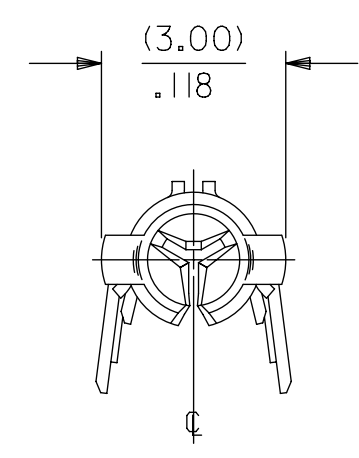
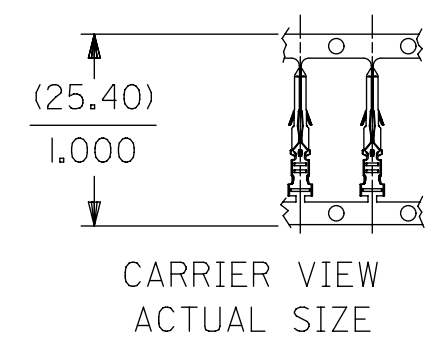


PART NO.	ENG. NO.
02-06-2131	1854-(90 I)
02-06-2132	1854-(90 I)L
02-06-6130	1854-(550)
02-06-6135	1854-(550)L



LEGEND

1854-(\*\*\*\*)\*

P=PREPLATE  
BLANK=POSTPLATE  
FINISH CODE

FORM  
BLANK=CHAIN  
L=LOOSE

- NOTES:
- MATERIAL: BRASS
  - FINISHES:
    - 901 HOT TIN DIP (.00051)/.000020 MIN.
    - 228 SELECT GOLD PLATE (.00075)/.000030 MIN. IN CONTACT AREA, SELECT TIN (.00250)/.000100 MIN. IN CRIMP AREA OVER (.00125)/.000050 MIN. NICKEL OVERALL
    - 561 SELECT GOLD PLATE (.00076)/.000030 MIN. IN CONTACT AREA, (.00127)/.000050 MIN. NICKEL OVERALL.
    - 550 SELECT GOLD PLATE (.00038)/.000015 MIN. IN CONTACT AREA, OVER (.00076)/.000030 MIN. NICKEL OVERALL WITH (.00025)/.000010 MAX. GOLD FLASH OVERALL.
  - PRODUCT SPECIFICATION: PS-02-06
  - PACKAGE INFORMATION:
    - LOOSE TERMINALS: PK-1190-003
    - CHAIN TERMINALS: 18540000-PK
  - TERMINAL FOR USE WITH (1.57)/.062 DIA. SERIES HOUSINGS AND WILL ACCEPT 24 THRU 30 AWG WIRE WITH (1.02/2.29)/.040/.090 INSULATION DIAMETER.

THIS DRAWING CONTAINS INFORMATION THAT IS PROPRIETARY TO MOLEX ELECTRONIC TECHNOLOGIES, LLC AND SHOULD NOT BE USED WITHOUT WRITTEN PERMISSION									
DIMENSION UNITS		SCALE		CURRENT REV DESC: OBSOLETE PART NUMBER AS PER PCN#509988					
MM/IN		8:1		<p>CRIMP TERMINAL, MALE .062 DIA. FOR 24-30 AWG WIRE</p> <p>PRODUCT CUSTOMER DRAWING</p>					
GENERAL TOLERANCES (UNLESS SPECIFIED)									
		MM	INCH						
4 PLACES	±		±						
3 PLACES	±		± 0.01						
2 PLACES	±	0.25	± 0.014	EC NO: 704776		2022/03/28			
1 PLACE	±	0.35	±	DRWN: SUGEEB		2022/05/24			
0 PLACES	±		±	CHK'D: GGA		2022/05/24			
ANGULAR TOL		± 0.5 °		APPR: GGA		2022/05/24			
DRAFT WHERE APPLICABLE MUST REMAIN WITHIN DIMENSIONS				INITIAL REVISION:		2018/12/01		DOCUMENT NUMBER	
THIRD ANGLE PROJECTION		DRAWING		SERIES		MATERIAL NUMBER		CUSTOMER	
		C-SIZE		1854		SEE TABLE		GENERAL MARKET	
								SD-1854-X	
								PSD 001 AR2	
								SHEET NUMBER	
								1 OF 1	

DOCUMENT STATUS	P1	RELEASE DATE	2022/05/24	10:34:35
-----------------	----	--------------	------------	----------