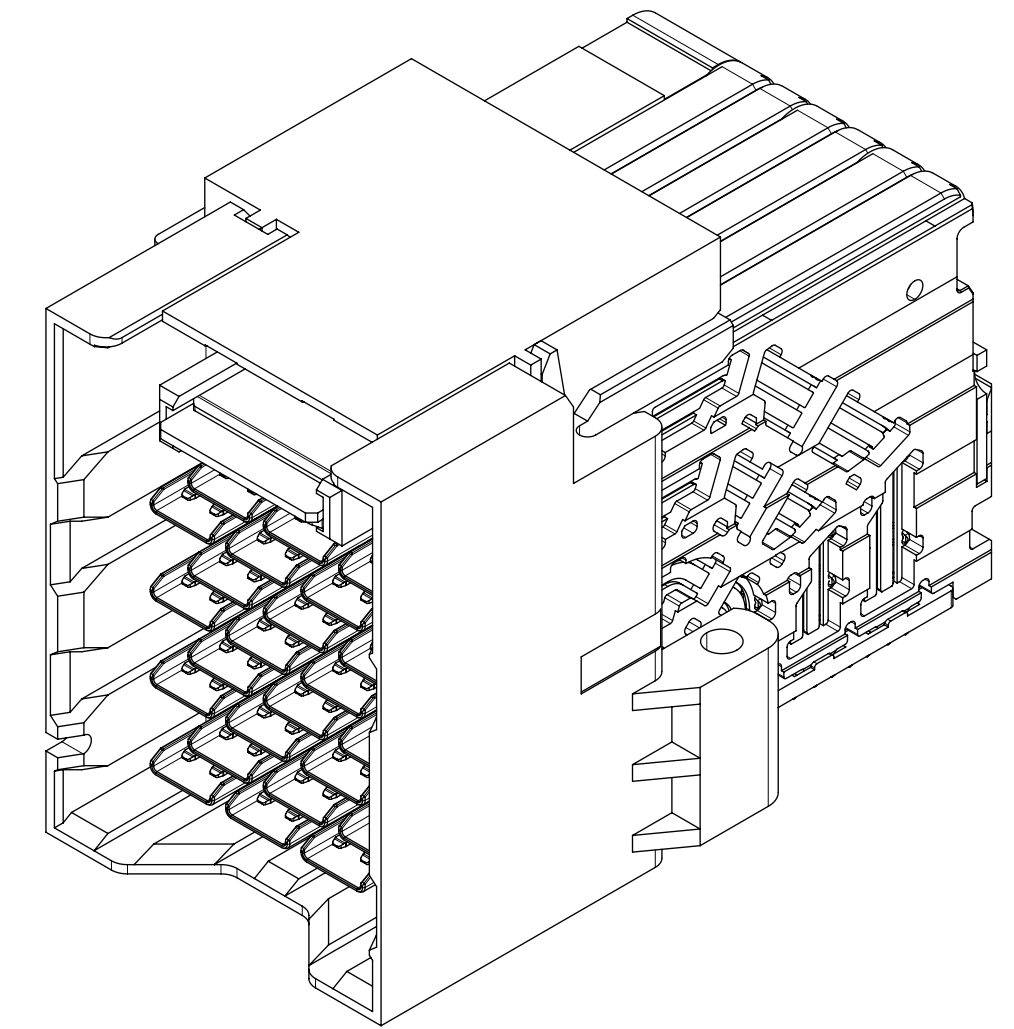


- NOTES:
- MATERIALS: HOUSING - LIQUID CRYSTAL POLYMER (LCP) GLASS-FILLED, UL94V-0  
TERMINALS - HIGH PERFORMANCE COPPER ALLOY  
NICKEL OVERALL.
  - FINISH: 10uIN GOLD IN CONTACT AREA.  
SELECTIVE TIN ON PCB TAILS.
  - REFER TO MOLEX PRODUCT SPECIFICATION PS-172020-0999 FOR PERFORMANCE SPECIFICATIONS.
  - THIS PART CONFORMS TO CLASS B REQUIREMENTS OF COSMETIC SPEC PS-45499-002.
  - PRODUCT WILL BE PACKAGED PER RPK-172020-0001.
  - SEE SHEETS 2 AND 3 FOR PCB LAYOUT AND ORTHOGONAL PIN MAPPING.
  - MATES WITH IMPEL PLUS ORTHO DAUGHTERCARD MATERIAL NUMBER 171510-7106.
  - REFER TO IMPEL PCB ROUTING GUIDE AS-171500-990 FOR ANTIPAD, ROUTING RECOMMENDATIONS, AND ADDITIONAL PCB INFORMATION.
  - CONNECTORS ARE SUPPLIED WITH TWO 2-32 THREAD FORMING SCREWS.
  - COMPONENT PLACEMENT AND TRACE KEEP OUT ZONE; DO NOT PLACE ANY OTHER COMPONENT OR ROUTE ANY TOP LAYER TRACES IN THIS AREA.



	DIM P
BLADE 1	8.20
BLADE 2	6.70

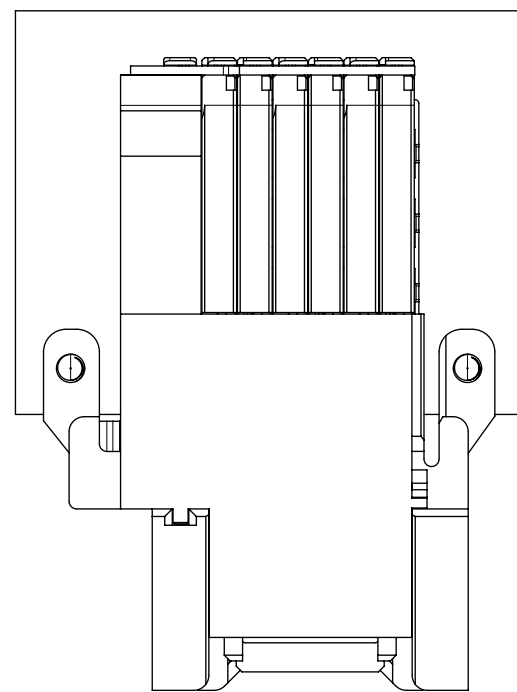
SYMBOLS		THIS DRAWING CONTAINS INFORMATION THAT IS PROPRIETARY TO MOLEX ELECTRONIC TECHNOLOGIES, LLC AND SHOULD NOT BE USED WITHOUT WRITTEN PERMISSION	
▽ = 0	mm	CURRENT REV DESC: REVISE NOTE 3 PS	
▽ = 0	GENERAL TOLERANCES (UNLESS SPECIFIED)	EC NO: 607445	
▽ = 0	ANGULAR TOL ± 0.5°	DRWN: CYLIAW	2018/10/19
▽ = 0	4 PLACES ±	CHK'D: YLLIM	2018/12/07
▽ = 0	3 PLACES ±	APPR: DWLEE01	2018/12/29
▽ = 0	2 PLACES ± 0.13	INITIAL REVISION:	
▽ = 0	1 PLACE ± 0.25	DRWN: BJMILLER	2016/05/02
▽ = 0	0 PLACES ±	APPR: BJMILLER	2016/05/02
▽ = 0	DRAFT WHERE APPLICABLE MUST REMAIN WITHIN DIMENSIONS	THIRD ANGLE PROJECTION	DRAWING SERIES
		C-SIZE	172020
DOCUMENT STATUS		DOCUMENT NUMBER	DOC TYPE   DOC PART   REVISION
P1	RELEASE DATE 2018/12/29 00:10:53	SD-172020-9001	PSD 001 A1
		MATERIAL NUMBER	CUSTOMER
		1720209901	GENERAL MARKET
		SHEET NUMBER	
		1 OF 3	

GND	18.40		18.40	GND
H1	17.30		17.30	GND
G1	16.00		16.20	H2
GND	14.90		14.90	G2
GND	13.80		13.80	GND
F1	12.70		12.70	GND
E1	11.40		11.60	F2
GND	10.30		10.30	E2
GND	9.20		9.20	GND
D1	8.10		8.10	GND
C1	6.80		7.00	D2
GND	5.70		5.70	C2
GND	4.60		4.60	GND
B1	3.50		3.50	GND
A1	2.20		2.40	B2
GND	1.10		1.10	A2
GND	0.00		0.00	GND

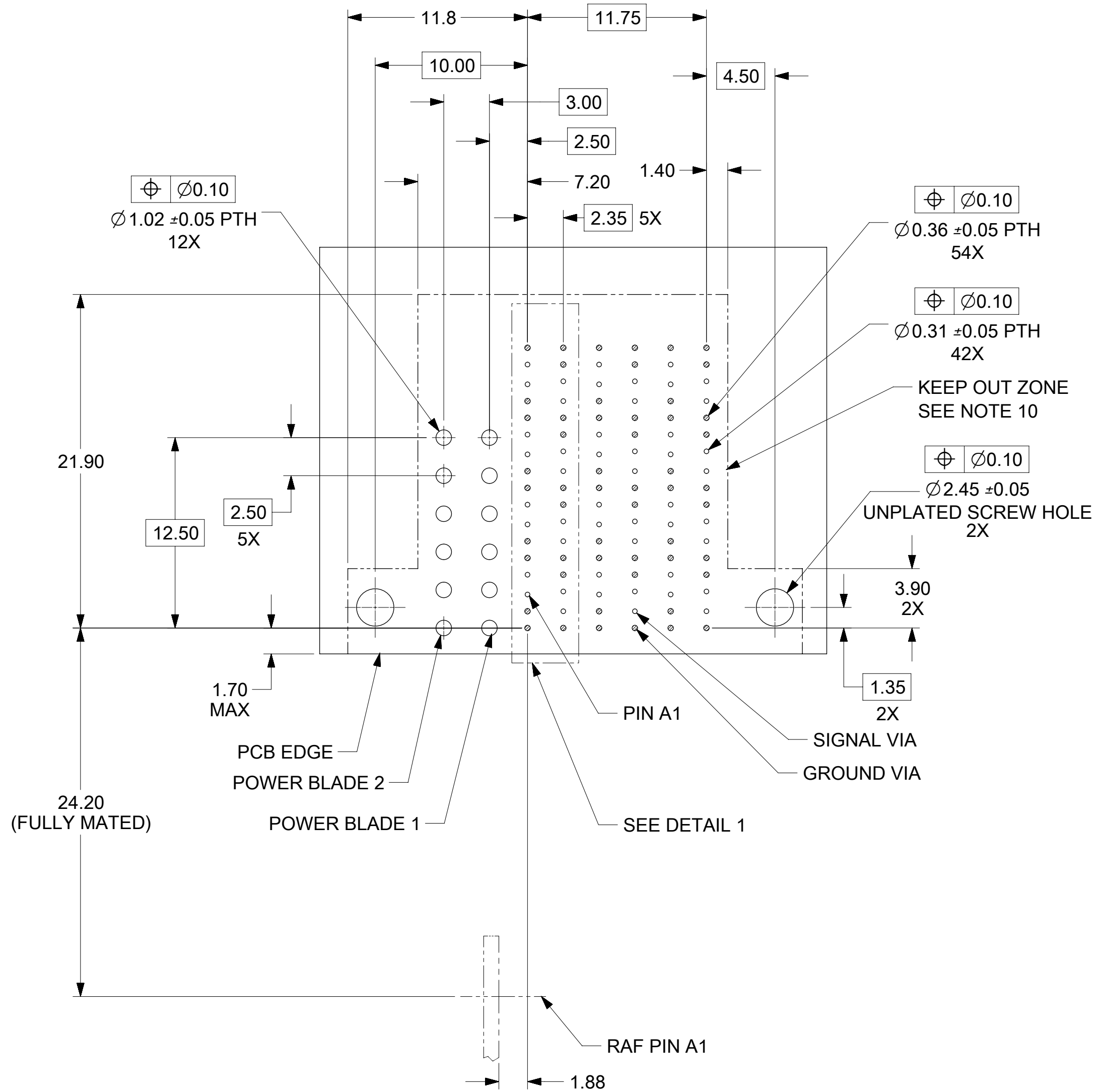
ODD COLUMN DIMENSION

EVEN COLUMN DIMENSIONS

DETAIL 1  
SCALE 6:1

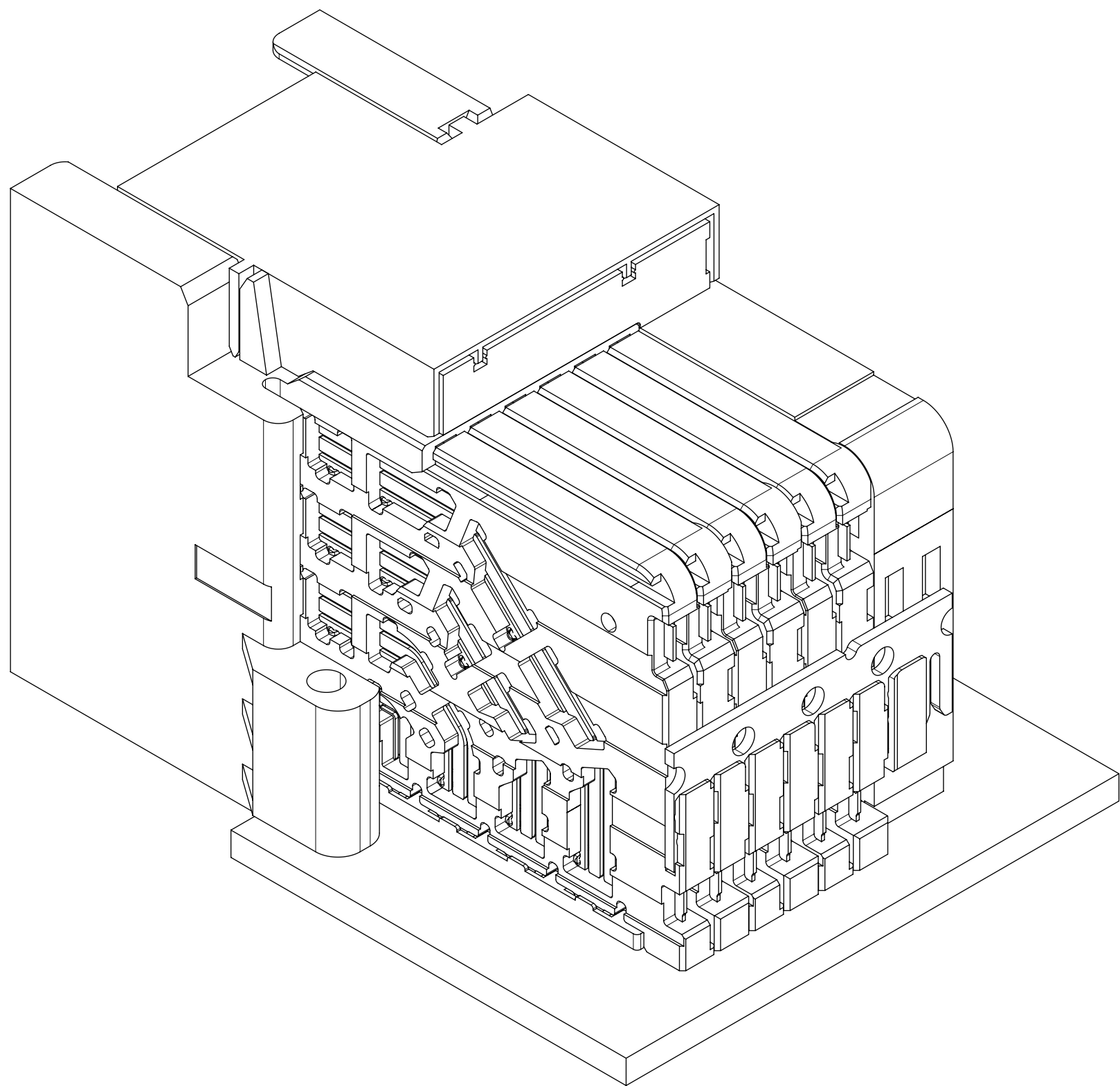


MATED DIMENSIONS  
SCALE 2:1



ORTHO DIRECT RAM HOLE PATTERN  
(CONNECTOR SIDE)

THIS DRAWING CONTAINS INFORMATION THAT IS PROPRIETARY TO MOLEX ELECTRONIC TECHNOLOGIES, LLC AND SHOULD NOT BE USED WITHOUT WRITTEN PERMISSION											
SYMBOLS		DIMENSION UNITS		SCALE		CURRENT REV DESC: REVISE NOTE 3 PS					
▽ = 0		mm				<b>molex</b> IMPEL ORTHO DIRECT RAM 4 PAIR X 6 COLUMN SIGNAL WITH POWER - SALES DWG PRODUCT CUSTOMER DRAWING DOCUMENT NUMBER: SD-172020-9001 DOC TYPE: PSD DOC PART: 001 REVISION: A1 MATERIAL NUMBER: GENERAL MARKET CUSTOMER: GENERAL MARKET SHEET NUMBER: 2 OF 3					
▽ = 0		GENERAL TOLERANCES (UNLESS SPECIFIED)									
▽ = 0		ANGULAR TOL ± 0.5°									
▽ = 0		4 PLACES ±									
▽ = 0		3 PLACES ±									
▽ = 0		2 PLACES ± 0.13				EC NO: 607445 DRWN: CYLIAW 2018/10/19 CHK'D: YLLIM 2018/12/07 APPR: DWLEE01 2018/12/29 INITIAL REVISION: DRWN: BJMILLER 2016/05/02 APPR: BJMILLER 2016/05/02					
▽ = 0		1 PLACE ± 0.25				DRAFT WHERE APPLICABLE MUST REMAIN WITHIN DIMENSIONS					
▽ = 0		0 PLACES ±				THIRD ANGLE PROJECTION DRAWING: C-SIZE SERIES: 172020					



ORTHO PIN MAPPING							
(RAF - OD RAM)							
F1-A5	F2-B6	F3-C5	F4-D6	F5-E5	F6-F6	F7-G5	F8-H6
E1-B5	E2-A6	E3-D5	E4-C6	E5-F5	E6-E6	E7-H5	E8-G6
D1-A3	D2-B4	D3-C3	D4-D4	D5-E3	D6-F4	D7-G3	D8-H4
C1-B3	C2-A4	C3-D3	C4-C4	C5-F3	C6-E4	C7-H3	C8-G4
B1-A1	B2-B2	B3-C1	B4-D2	B5-E1	B6-F2	B7-G1	B8-H2
A1-B1	A2-A2	A3-D1	A4-C2	A5-F1	A6-E2	A7-H1	A8-G2

<b>SYMBOLS</b> ▽ = 0 ▽ = 0 ▽ = 0 ▽ = 0 ▽ = 0 ▽ = 0 ▽ = 0 ▽ = 0 ▽ = 0 ▽ = 0	THIS DRAWING CONTAINS INFORMATION THAT IS PROPRIETARY TO MOLEX ELECTRONIC TECHNOLOGIES, LLC AND SHOULD NOT BE USED WITHOUT WRITTEN PERMISSION											
	DIMENSION UNITS	SCALE	CURRENT REV DESC: REVISE NOTE 3 PS									
	mm											
	GENERAL TOLERANCES (UNLESS SPECIFIED)			EC NO: 607445							IMPEL ORTHO DIRECT RAM 4 PAIR X 6 COLUMN SIGNAL WITH POWER - SALES DWG	
	ANGULAR TOL ± 0.5°			DRWN: CYLIAW 2018/10/19								
	4 PLACES ±			CHK'D: YLLIM 2018/12/07								
	3 PLACES ±			APPR: DWLEE01 2018/12/29							PRODUCT CUSTOMER DRAWING	
	2 PLACES ± 0.13			INITIAL REVISION:							DOCUMENT NUMBER	
	1 PLACE ± 0.25			DRWN: BJMILLER 2016/05/02							SD-172020-9001	
	0 PLACES ±			APPR: BJMILLER 2016/05/02							DOC TYPE DOC PART REVISION	
DRAFT WHERE APPLICABLE MUST REMAIN WITHIN DIMENSIONS			THIRD ANGLE PROJECTION		DRAWING		SERIES		MATERIAL NUMBER CUSTOMER SHEET NUMBER			
					C-SIZE		172020		GENERAL MARKET 3 OF 3			