

THIS DRAWING IS UNPUBLISHED.

RELEASED FOR PUBLICATION

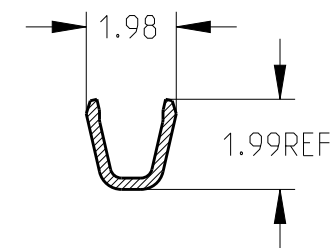
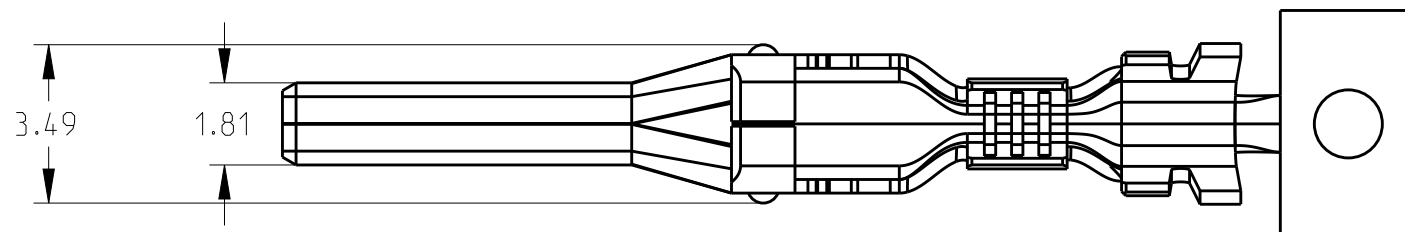
© COPYRIGHT 19 BY -

ALL RIGHTS RESERVED.

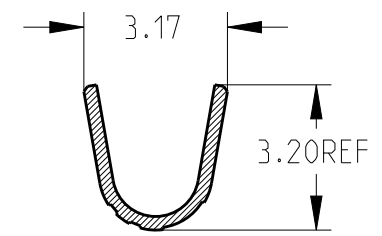
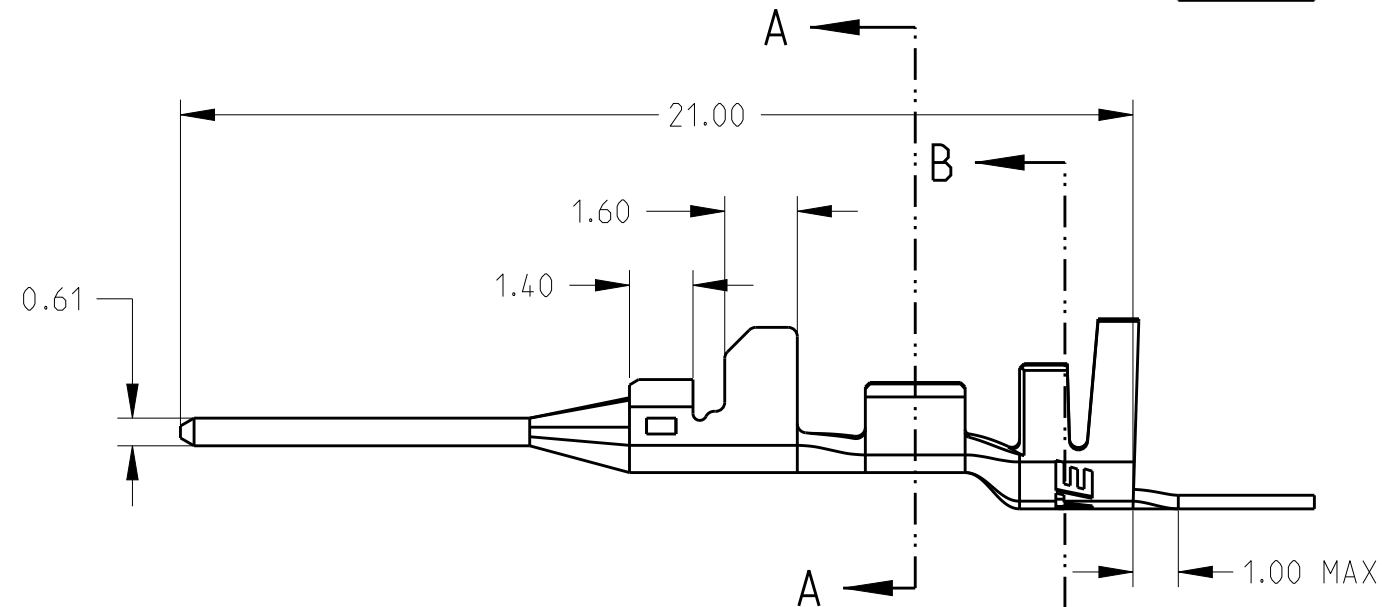
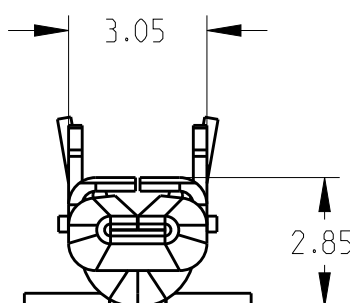
LOC ES DIST 00

REVISIONS

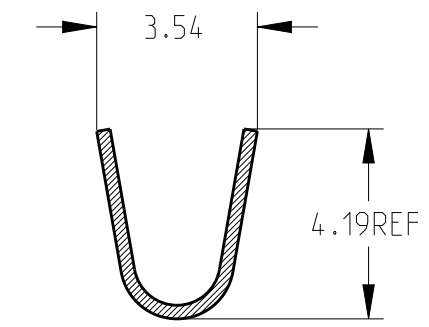
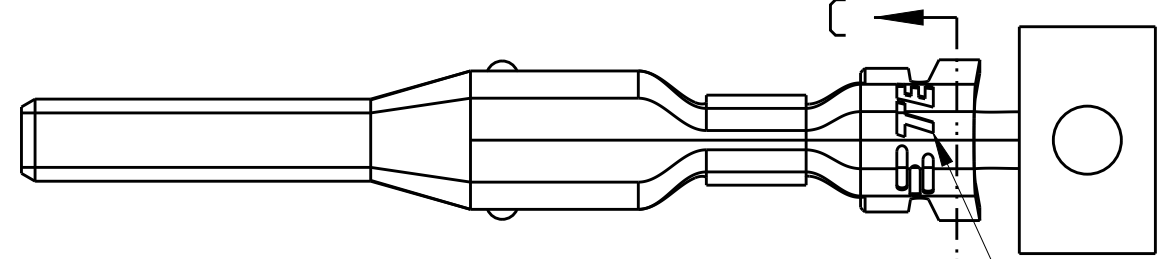
P	LTR	DESCRIPTION	DATE	DWN	APVD
	A2	REVISED PER ECR-19-003481	20 JUN 19	N.L	D.Z



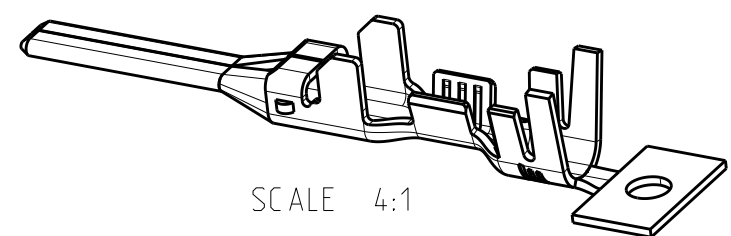
SECTION A-A



SECTION B-B




SECTION C-C



SCALE 4:1

4000PCS/REEL	3-1983662-1
5000PCS/REEL	1983662-1
UNIT PKG QTY	PART NO.

NOTE:
 1.MATERIAL:COPPER ALLOY,PRE-TINNED
 2.APPLICABLE HOUSING P/N:1983658-*, 1983659-
 3.APPLICABLE WIRE RANGE:22-26AWG

THIS DRAWING IS A CONTROLLED DOCUMENT.		DWN LEO LIU 24AUG2011	 TE Connectivity
DIMENSIONS: mm		CHK HAPYE WU 24AUG2011	
TOLERANCES UNLESS OTHERWISE SPECIFIED:		APVD FRIC KONG 24AUG2011	
0 PLC ± 1 PLC ±1.0 2 PLC ±0.50 3 PLC ±0.300 4 PLC ±0.2000 ANGLES ±		PRODUCT SPEC 108-106071	
MATERIAL -		FINISH -	APPLICATION SPEC 114-106071
		WEIGHT -	SIZE A3
		CUSTOMER DRAWING	CAGE CODE -
			DRAWING NO ©=1983662
			RESTRICTED TO
			SCALE N/A
			SHEET 1 OF 1
			REV A2