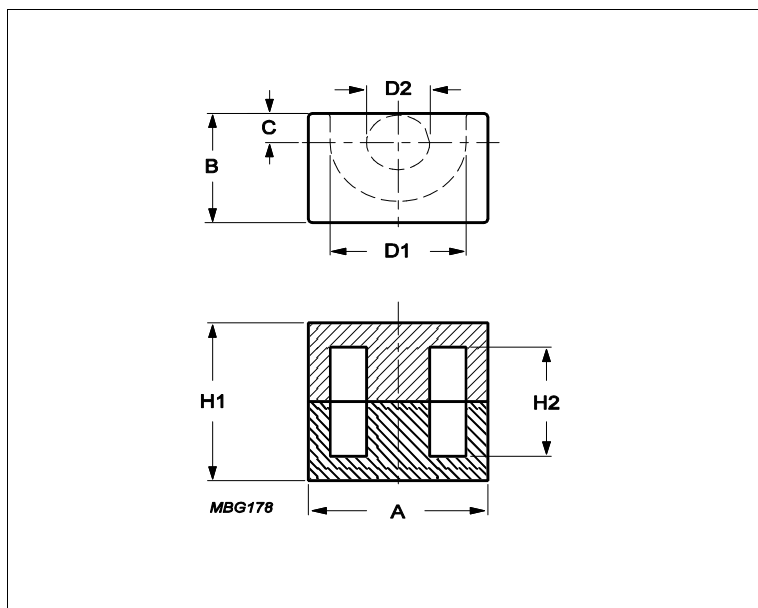


## Core **EP10**



Effective parameters			
	Parameter	Value	Unit
$\Sigma(I/A)$	core factor (C1)	1.7	mm <sup>-1</sup>
<b>Ve</b>	effective volume	215	mm <sup>3</sup>
<b>Le</b>	effective length	19.3	mm
<b>Ae</b>	effective area	11.3	mm <sup>2</sup>
<b>Amin</b>	minimum area	8.55	mm <sup>2</sup>
<b>m</b>	EP10	≈ 2.8	g/set

**Dimensions for product: EP10**

	Nom	Tol +	Tol -	Max	Min	Unit
<b>A</b>	11.50	0.30	0.30	11.80	11.20	mm
<b>B</b>	7.60	0.20	0.20	7.80	7.40	mm
<b>C</b>	1.80	0.13	0.13	1.93	1.67	mm
<b>D1</b>	9.40	0.20	0.20	9.60	9.20	mm
<b>D2</b>	3.30	0.15	0.15	3.45	3.15	mm
<b>H1</b>	10.20	0.20	0.20	10.40	10.00	mm
<b>H2</b>	7.40	0.20	0.20	7.60	7.20	mm

**Inductance factor**

Material	Value	Tol +	Tol -	Unit
3C91	1200	25%	25%	nH/turns <sup>2</sup>
3C96	1000	25%	25%	nH/turns <sup>2</sup>
3F36	800	25%	25%	nH/turns <sup>2</sup>
3F46	460	25%	25%	nH/turns <sup>2</sup>

**Power loss: 3C91**

Measuring conditions			Max	Unit
100 kHz	200 mT	60 °C	0.110	W/set

**Power loss: 3C96**

Measuring conditions			Max	Unit
100 kHz	200 mT	100 °C	0.097	W/set
400 kHz	50 mT	100 °C	0.039	W/set

**Power loss: 3F36**

Measuring conditions			Max	Unit
----------------------	--	--	-----	------

## Core **EP10**

### Power loss: 3F36

Measuring conditions			Max	Unit
500 kHz	50 mT	100 °C	0.032	W/set
500 kHz	100 mT	100 °C	0.250	W/set

### Power loss: 3F46

Measuring conditions			Max	Unit
1000 kHz	50 mT	100 °C	0.086	W/set
3000 kHz	10 mT	100 °C	0.022	W/set

### Bsat

Measuring conditions			Material	Min	Unit
25 kHz	250 A/m	100 °C	3C91	320	mT
25 kHz	250 A/m	100 °C	3C96	340	mT
25 kHz	250 A/m	100 °C	3F36	340	mT
25 kHz	250 A/m	100 °C	3F46	330	mT

### Accessories

Ordering name	Description	Ordering code
CLA-EP10	Clasp	432202101481
CLI-EP10	Clip	432202100781
CSH-EP10-1S-8P	Coil former, termoset, horizontal	432202100461
CSH-EP10-2S-8P	Coil former, termoset, horizontal	432202100471
CSHS-EP10-1S-8P-T	Coil former, termoset, horizontal, SMD	432202103191
SPR-EP10	Spring	432202101471