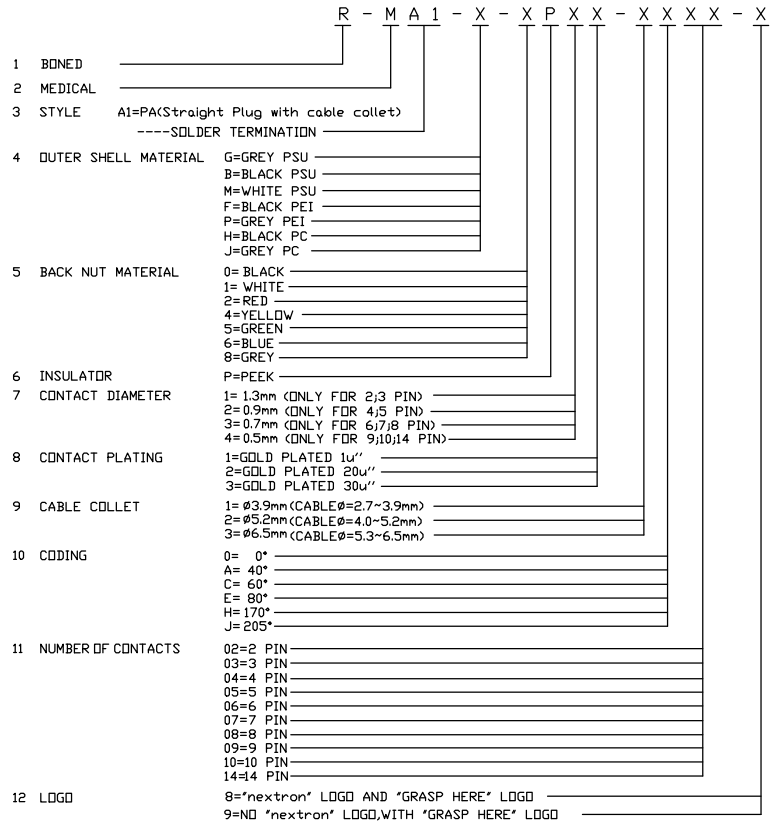
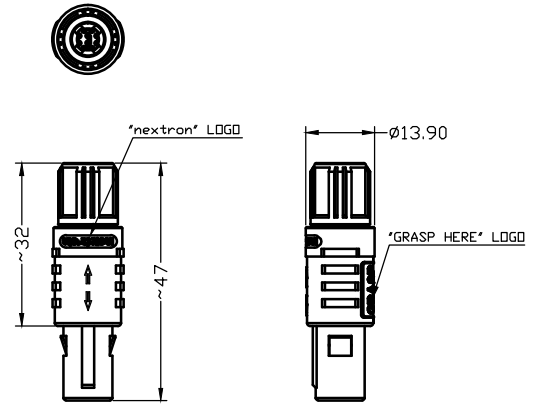


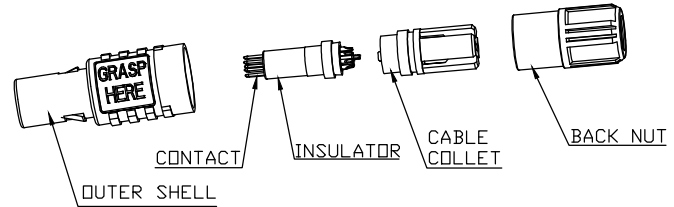
SNAP LATCH ASSEMBLY P/N DESCRIPTION :



POSITIONS	VIEW FROM TERMINATION SIDE	PIN PART
2 PIN		
3 PIN		
4 PIN		
5 PIN		
6 PIN		
7 PIN		
8 PIN		
9 PIN		
10 PIN		
14 PIN		



- NOTES :
- 1.MATERIAL  
OUTER SHELL : PSU/PEI/PC  
INSULATOR : PEEK  
CONTACT : COPPER ALLOY  
CABLE COLLET : PSU/PEI/PC  
BACK NUT : PSU/PEI/PC
  - 2.NUMBER OF CONTACT : 2 TO 14 POSITION
  - 3.ALL DIMENSIONS ARE IN MILLIMETERS.
  - 4.RoHS DIRECTIVE COMPLIANCE

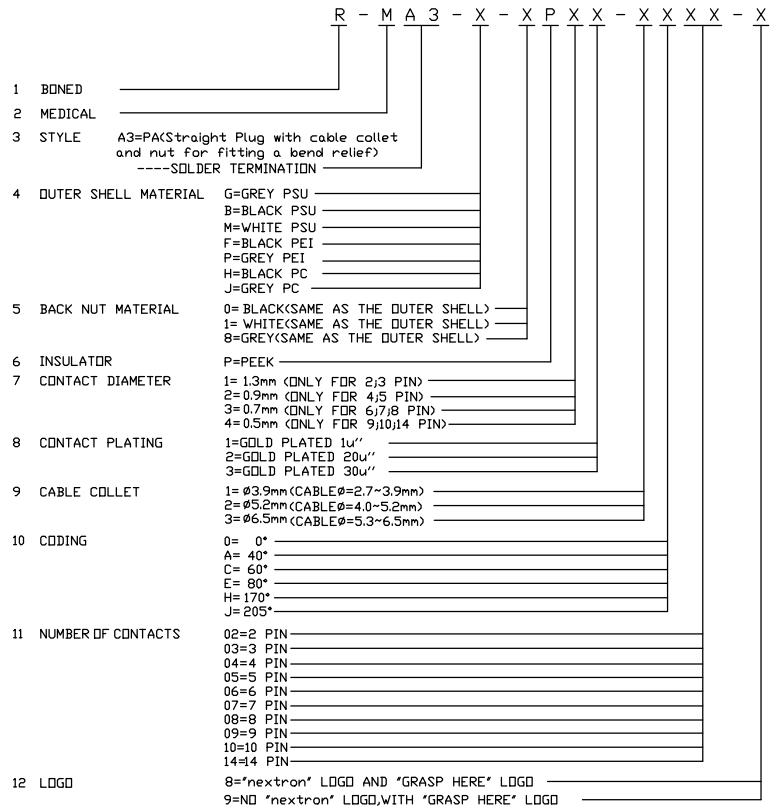


正凌精密工业(广东)有限公司  
2017/08/25  
内部资料请勿复印

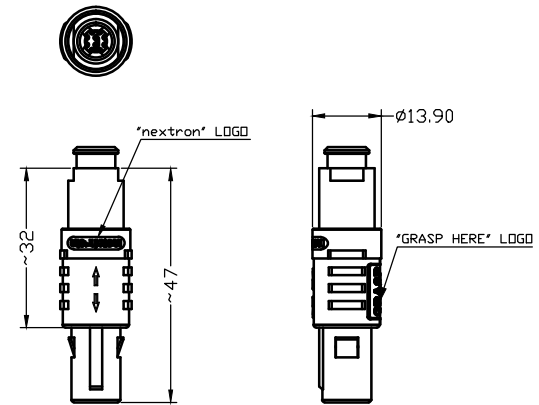
REV.	DESCRIPTION	DATE
X2	ADD GOLD PLATED	08/22/17
X1	NEW RELEASE	07/15/17

UNITS ■mm □INCH		NAME: SNAP LATCH (Straight Plug)	nexttron NEXTRONICS ENGINEERING CORP.	
GENERAL TOLERANCES: (UNLESS SPECIFIED)		PART NO: RMA1XXPXXXXXX	TITLE: CUSTOMER DWG.	
4 PLACE ±.***	±.***	APPD: 楊海文 2017/08/24	DWG NO: 010-0000-H75	C
3 PLACE ±.***	±.***	CHKD: 梁良駒 2017/08/22	SCALE: SHEET: REV.: 1/1 1/3 X2	
2 PLACE ±0.20	±.***	DRAWN: 覃世健 2017/08/22		
1 PLACE ±.***	±.***			
ANGULAR: X°±.***	X°±.***			

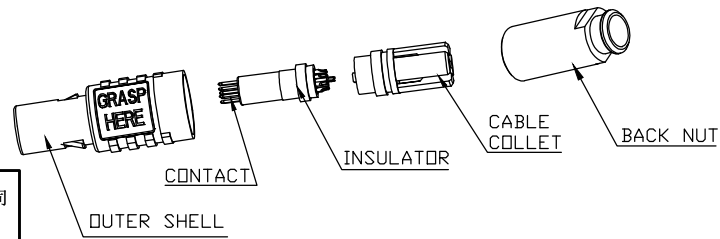
SNAP LATCH ASSEMBLY P/N DESCRIPTION :



POSITIONS	VIEW FROM TERMINATION SIDE
	PIN PART
2 PIN	
3 PIN	
4 PIN	
5 PIN	
6 PIN	
7 PIN	
8 PIN	
9 PIN	
10 PIN	
14 PIN	



- NOTES :
- MATERIAL  
OUTER SHELL : PSU/PEI/PC  
INSULATOR : PEEK  
CONTACT : COPPER ALLOY  
CABLE COLLET : PSU/PEI/PC  
BACK NUT : PSU/PEI/PC
  - NUMBER OF CONTACT : 2 TO 14 POSITION
  - ALL DIMENSIONS ARE IN MILLIMETERS.
  - RoHS DIRECTIVE COMPLIANCE

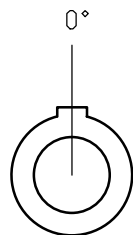


正凌精密工业(广东)有限公司  
2017/08/25  
内部资料请勿复印

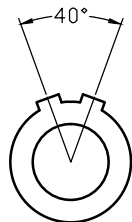
REV.	DESCRIPTION	DATE
X2	ADD GOLD PLATED	08/22/17
X1	NEW RELEASE	07/15/17

UNITS ■mm □INCH		NAME: SNAP LATCH (Straight Plug)	nexttron NEXTRONICS ENGINEERING CORP.	
GENERAL TOLERANCES: (UNLESS SPECIFIED)		PART NO: RMA3XXPXXXXXXX	TITLE: CUSTOMER DWG.	
4 PLACE	± **	APPD: 楊海文 2017/08/24	DWG NO: 010-0000-H75	C
3 PLACE	± **	CHKD: 梁良駒 2017/08/22	SCALE: SHEET: REV.: 1/1 2/3 X2	
2 PLACE	± 0.20	DRAWN: 覃世健 2017/08/22		
1 PLACE	± **			
ANGULAR:	X° ± **			

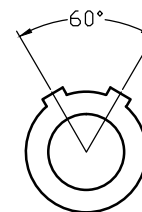
CODING (PLUG FRONT VIEW):



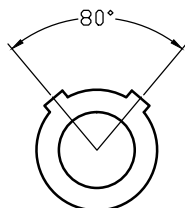
0



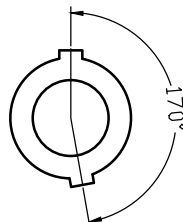
A



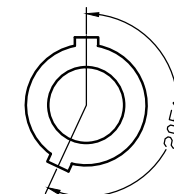
C



E



H



J

正凌精密工业(广东)有限公司

2017/08/25

内部资料请勿复印

REV.	DESCRIPTION	DATE
X2	ADD GOLD PLATED	08/22/17
X1	NEW RELEASE	07/15/17

UNITS <input checked="" type="checkbox"/> mm <input type="checkbox"/> INCH		NAME: SNAP LATCH (Straight Plug)	NEXTRONICS ENGINEERING CORP.	
GENERAL TOLERANCES: (UNLESS SPECIFIED)		PART NO: RMAXXPXXXXXX	TITLE: CUSTOMER DWG.	
4 PLACE	± **.	± **.	APPD: 楊海文 2017/08/24	DWG NO: 010-0000-H75
3 PLACE	± **.	± **.	CHKD: 梁良駒 2017/08/22	C
2 PLACE	± 0.20	± **.	DRAWN: 覃世健 2017/08/22	SCALE: SHEET: REV.:
1 PLACE	± **.	± **.		1/1 3/3 X2
ANGULAR:	X°± **.	.X°± **.		