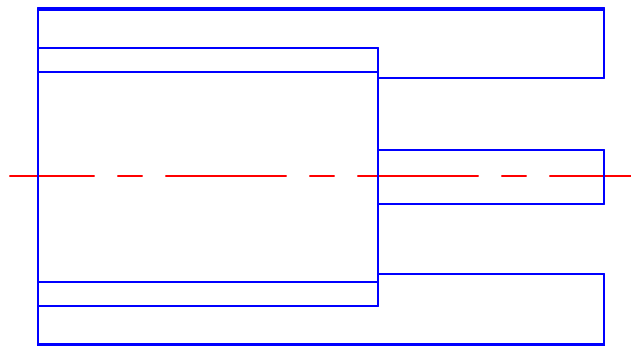
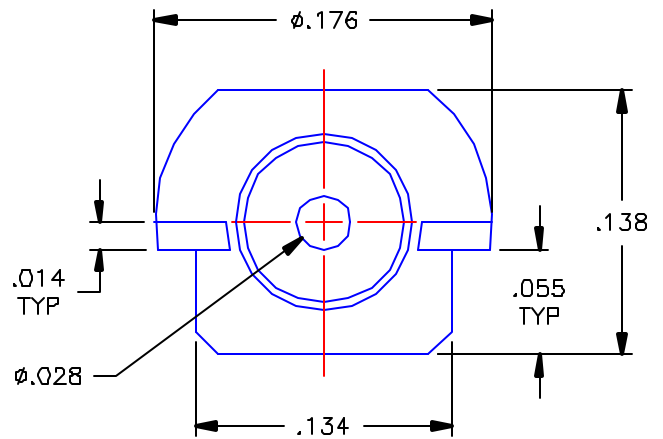
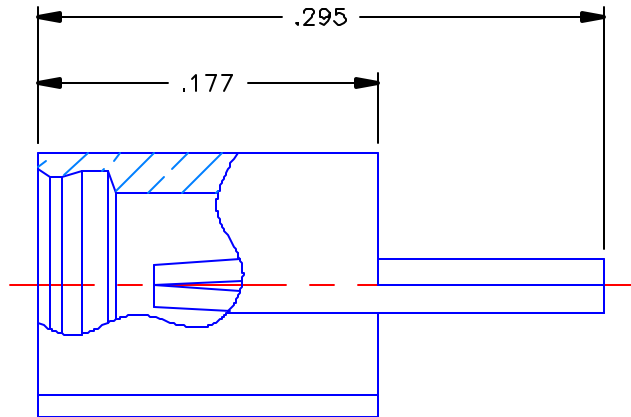


REVISIONS			
REV	DESCRIPTION	DATE	APPROVED
B	ECO #4000	03/01/01	A.D.M.



PROPRIETARY INFORMATION
NOT TO BE RELEASED
WITHOUT WRITTEN PERMISSION
FROM AN AUTHORIZED
REPRESENTATIVE OF
APPLIED ENGINEERING PRODUCTS


NOTES:

MATERIALS:

1. BODY = BRASS PER ASTM B16, ALLOY C36000, TEMPER H02.
2. INSULATOR = VIRGIN WHITE TEFLON PER ASTM D1710, GRADE 1, TYPE I, CLASS "A".
3. CONTACT = BERYLLIUM COPPER PER ASTM B196, ALLOY C17300, TEMPER TD04.

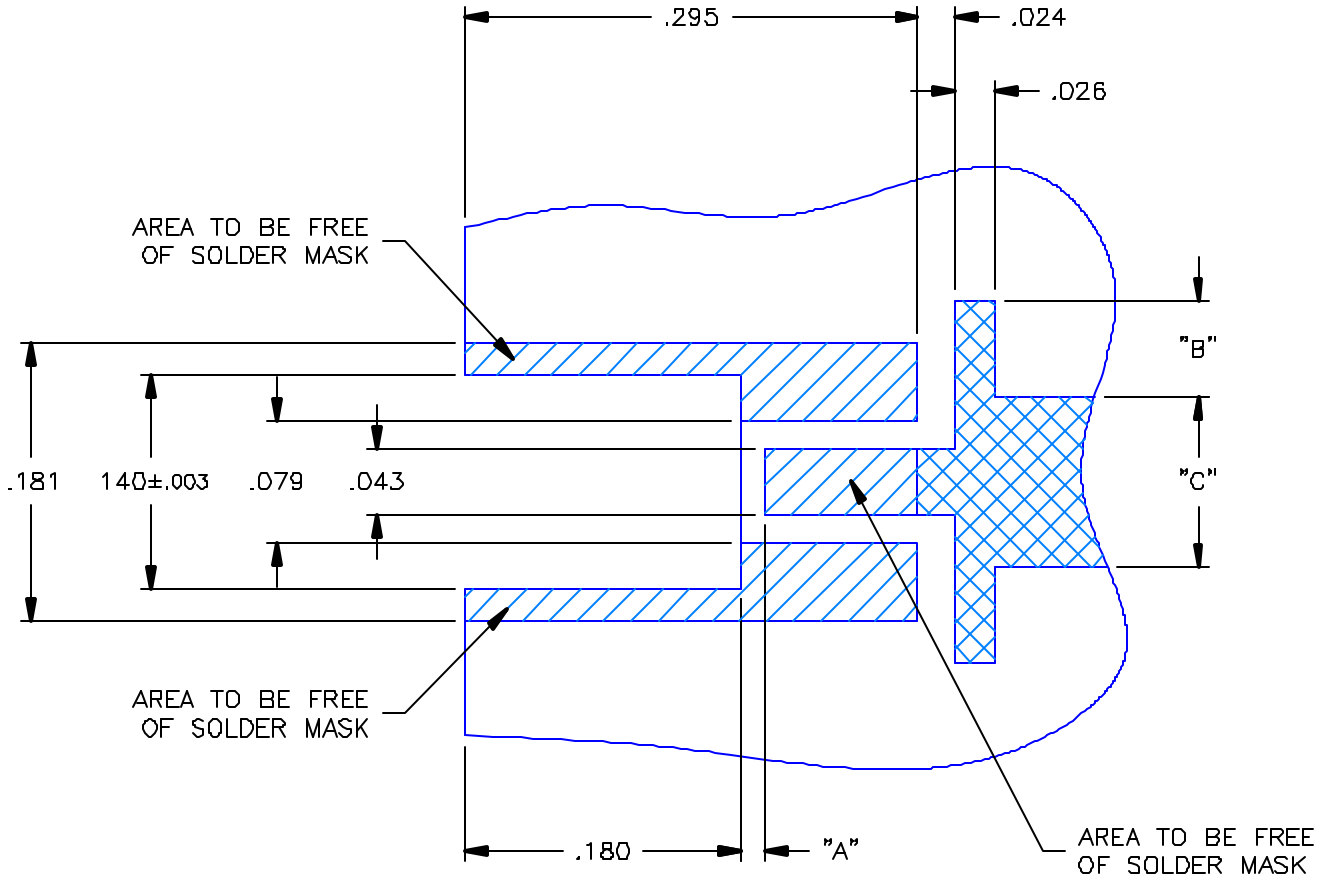
FINISHES:

1. BODY = GOLD PLATE PER MIL-G-45204, TYPE II, CLASS 0, GRADE C, OVER .00010 TO .00020 COPPER STRIKE PER MIL-C-14550.
2. CONTACT = GOLD PLATE PER MIL-G-45204, TYPE II, CLASS 1, GRADE C, OVER .00010 TO .00020 STRESS FREE SULFAMATE NICKEL PER QQ-N-290.

UNLESS OTHERWISE SPECIFIED DIMENSIONS ARE IN INCHES TOLERANCES ON		DWN: A D.M.	DATE 02/28/01	 APPLIED ENGINEERING PRODUCTS 104 John W. Murphy Dr. New Haven, CT 06513
		CHKD: D.N.	DATE 03/01/01	
DECIMAL	ANGLE	APVD: D.J.C.	DATE 03/01/01	MMCX JACK EDGEMOUNT
REFERENCE:		MATERIALS & FINISHES: SEE NOTES		
ORIGINATOR: PAT P. DATE: 06/17/96				FSCM NO. 19505
				DWG NO. 8915-1511-000
				REV B
		SCALE 10:1		SHEET 1 OF 2

8915-1511-000

PROPRIETARY INFORMATION
 NOT TO BE RELEASED
 WITHOUT WRITTEN PERMISSION
 FROM AN AUTHORIZED
 REPRESENTATIVE OF
 APPLIED ENGINEERING PRODUCTS



RECOMMENDED MOUNTING PATTERN

THICKNESS (FR4, Er=4.6)	"A"	"B"	"C"
.031	.039	-	.055
.039	.035	.012	.071
.063	.016	.063	.110

UNLESS OTHERWISE SPECIFIED
 DIMENSIONS ARE IN INCHES
 TOLERANCES ON

REFERENCE.

DECIMAL	ANGLE
---------	-------



APPLIED ENGINEERING PRODUCTS

104 John W. Murphy Dr.
 New Haven, CT 06513

SIZE A	FSCM NO. 19505	DWG NO. 8915-1511-000	REV B
-----------	-------------------	--------------------------	----------

SCALE 8:1

SHEET 2 OF 2

8915-1511-000