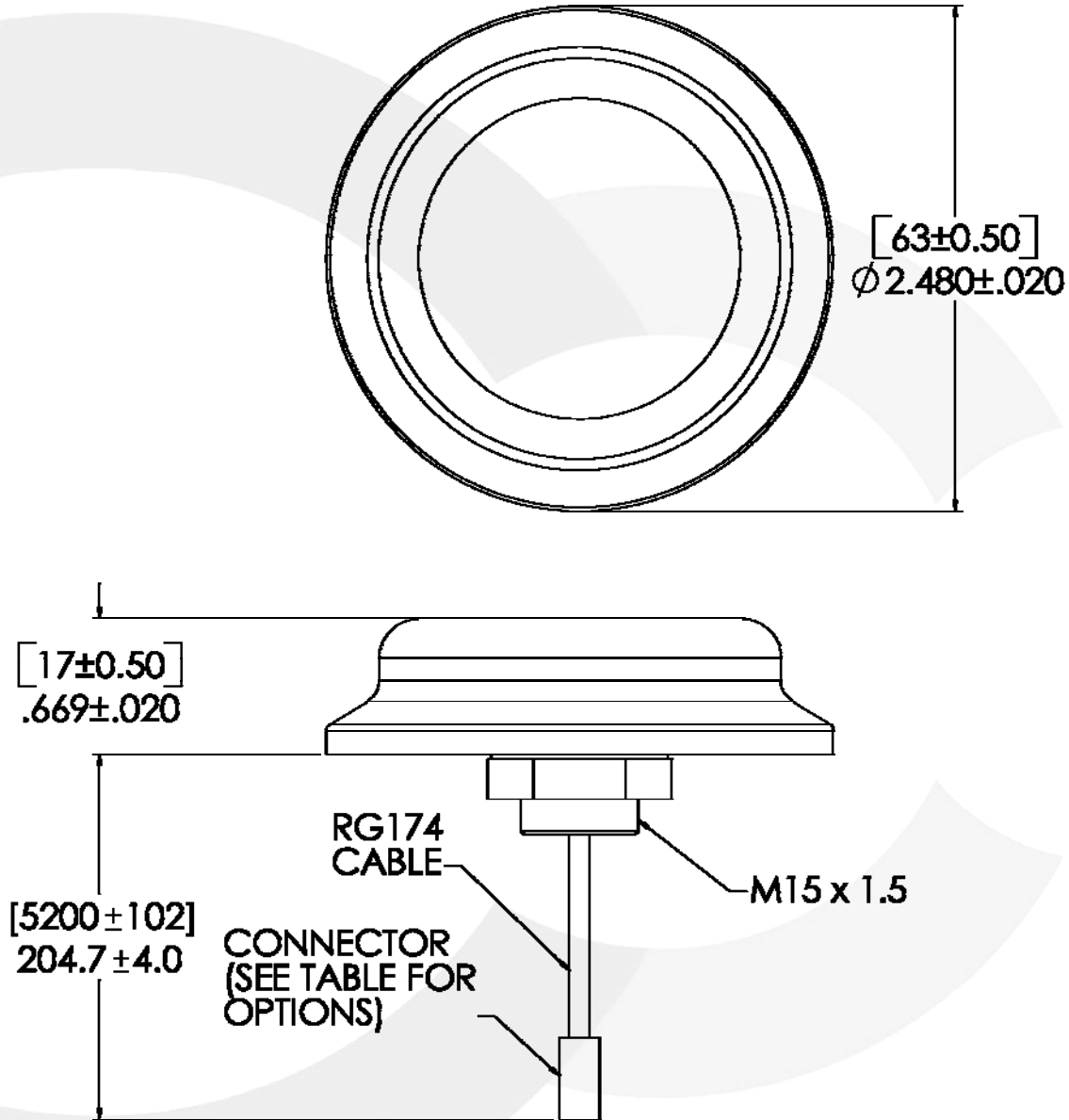


**GPS DIRECT MOUNT**

**GPSDM02-12**

Series : ANTENNA



MODEL	CONNECTOR
GPSDM02	MCX
GPSDM04	MMCX
GPSDM06	SMB
GPSDM08	SMA
GPSDM10	BNC
GPSDM12	No Conn

All dimensions are in inches  
 [] dimensions in mm

Issue : 0710

In the effort to improve our products, we reserve the right to make changes judged to be necessary.



GPS DIRECT MOUNT

**GPSDM02-12**

Series : ANTENNA

**ELECTRICAL SPECIFICATIONS**Frequency :..... **1575.42 MHz**Nominal Impedance :..... **50  $\Omega$** VSWR :..... **2:1 Max**Gain @ Zenith: **+5 dBic**Gain @ 10° Elevation: **-1 dBic**Polarization : ..... **Right Hand Circular**Voltage: ..... **5 V DC**Connector type : ..... **SMA, SMB, MCX,  
MMCX, BNC**Cable type : ..... **RG-174**Length : ..... **17 Feet****MECHANICAL SPECIFICATIONS**Plastic radome : ..... **Polycarbonate-polyester  
plastic blend**Color : ..... **Black or White**Diameter:..... **2.5 inches**Height : ..... **.07 inches**Mounting Type: **Bolt mount requiring 3/8"  
to 3/4" hole**Optional Mounting: **Die cut double sided tape  
on bottom of antenna****ENVIRONMENTAL SPECIFICATIONS**Operating temperature :..... **-30 to +80 ° C**