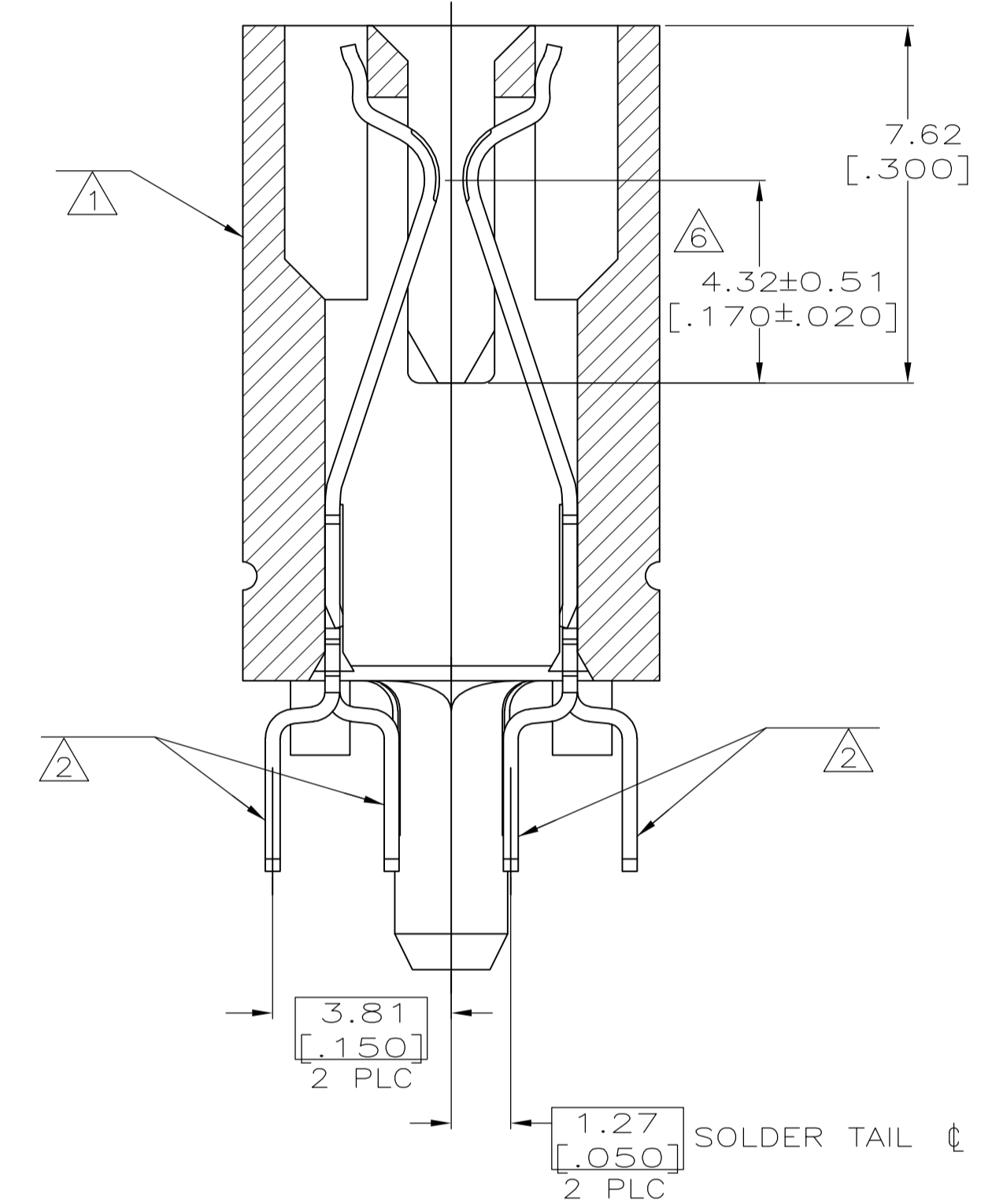
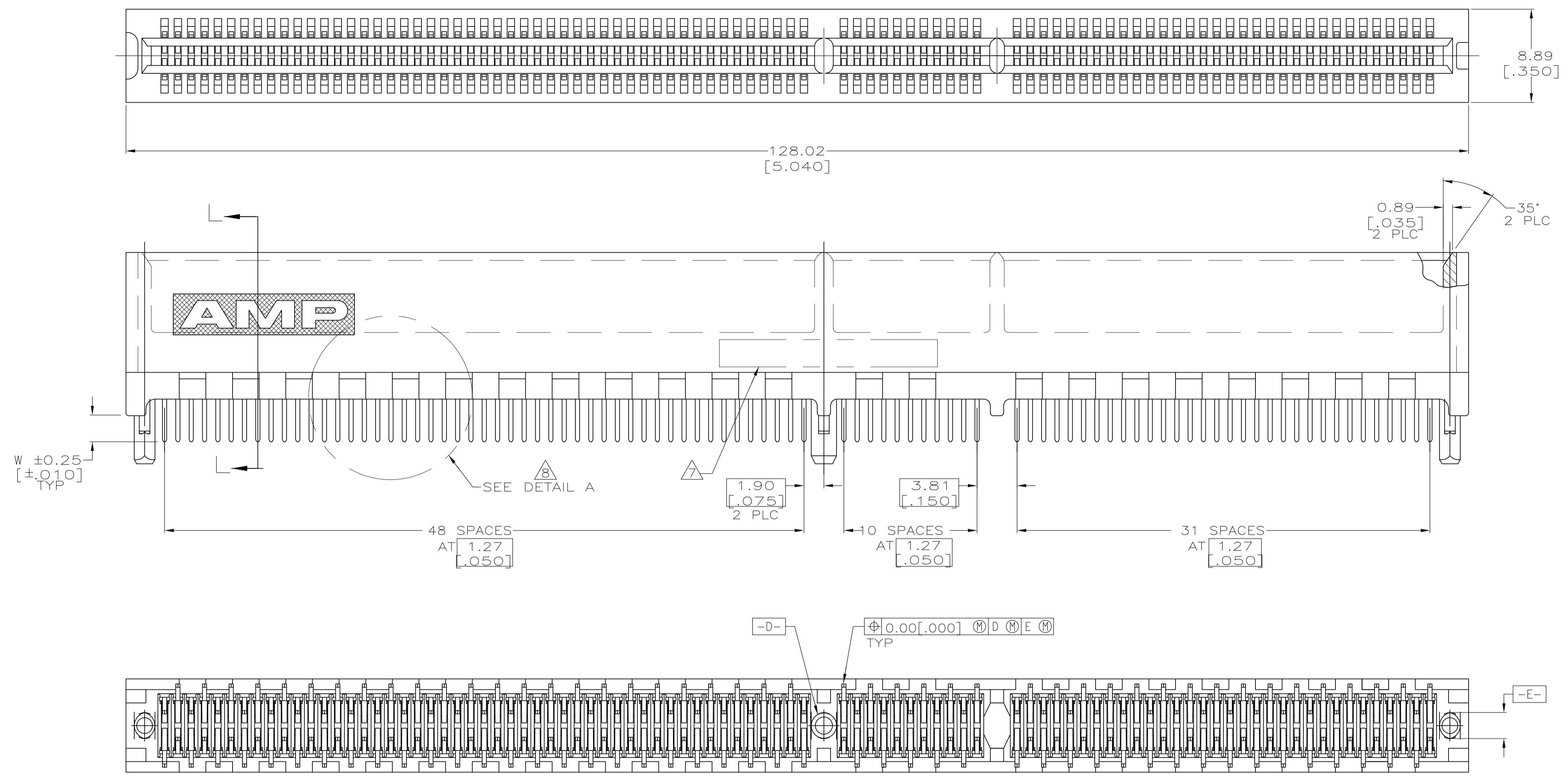
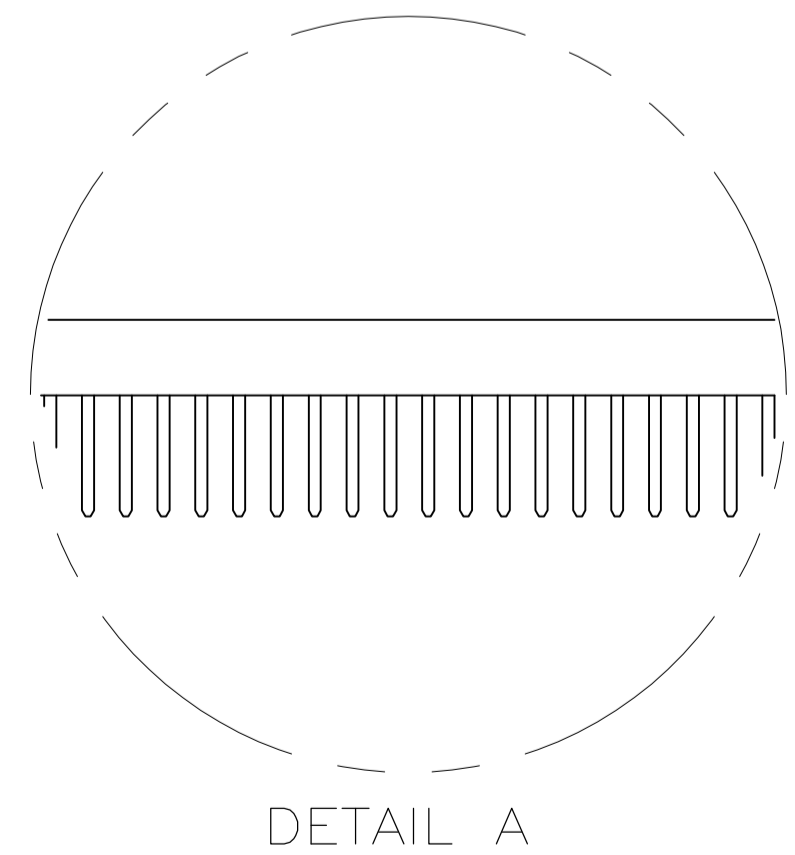


REVISIONS					
P	LTR	DESCRIPTION	DATE	DMN	APVD
A	ECR-16-011870		08AUG2017	FL	SY



SEE SHEET 2 FOR HOLE PATTERN



- 1 HOUSING: HIGH TEMPERATURE THERMOPLASTIC. COLOR - NATURAL
- 2 CONTACT: PHOSPHOR BRONZE.
- 3 CONTACT FINISH: .001269[.000050] MIN NICKEL ALL OVER. GOLD FLASH OVER NICKEL IN CONTACT AREA. .002537[.000100] MIN MATTE TIN OVER NICKEL ON SOLDER TAILS.
- 4 CONTACT FINISH: .001269[.000050] MIN NICKEL ALL OVER. .000375[.000015] MIN GOLD OVER NICKEL IN CONTACT AREA. .002537[.000100] MIN MATTE TIN OVER NICKEL ON SOLDER TAILS.
- 5 CONTACT FINISH: .001269[.000050] MIN NICKEL ALL OVER. .000757[.000030] MIN GOLD OVER NICKEL IN CONTACT AREA. .002537[.000100] MIN MATTE TIN OVER NICKEL ON SOLDER TAILS.
- 6 DISTANCE FROM CONTACT POINT TO BOTTOM OF CARD SLOT.
- 7 AMP PART NUMBER, DATE CODE AND CSA LOGO MARKED IN APPROXIMATE LOCATION SHOWN.
- 8 CORED OR SOLID SIDE WALLS ARE AT DISCRETION OF AMP INCORPORATED.
- 9 OBSOLETE PARTS: OBSOLETE CIS STREAMLINING PER D.RENAUD/D.SINISI

3.56 [.140]	1-5145166-2
3.18 [.125]	5145166-8
2.54 [.100]	5145166-4
OBSOLETE 2.54 [.100]	5145166-2
OBSOLETE 2.54 [.100]	5145166-1

THIS DRAWING IS A CONTROLLED DOCUMENT.

DIMENSIONS: mm [INCHES]	TOLERANCES UNLESS OTHERWISE SPECIFIED:	0 PLC ± -	1 PLC ± -	2 PLC ± 0.25 [.01]	3 PLC ± 0.125 [.005]	4 PLC ± -	ANGLES ± ±
MATERIAL		FINISH		WEIGHT		CUSTOMER DRAWING	

AL FRANTUM 23 JUN 05  
 AL FRANTUM 23 JUN 05

PRODUCT SPEC: 108-14034  
 APPLICATION SPEC: 114-26012

SIZE: A1  
 CAGE CODE: 00779  
 DRAWING NO: 5145166

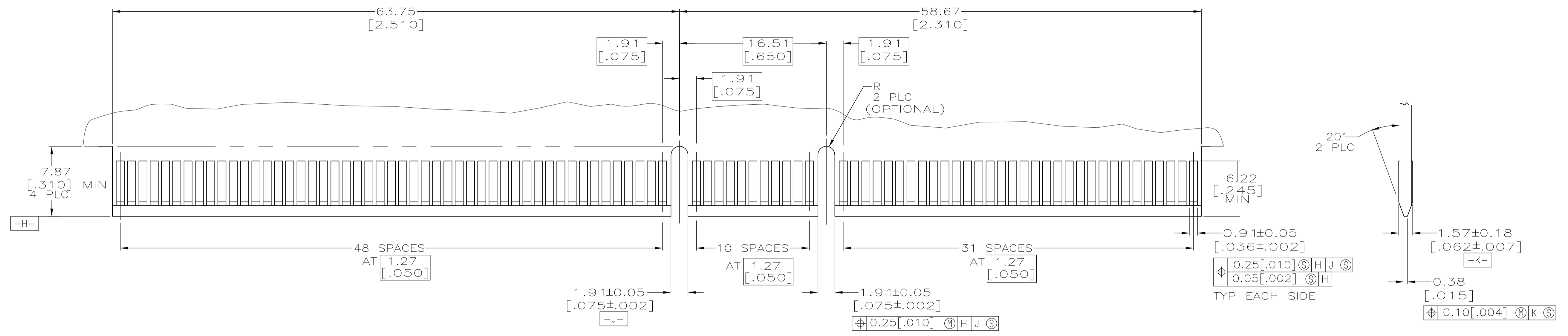
RESTRICTED TO: -

SCALE: 4:1 SHEET: 1 OF 2 REV: A

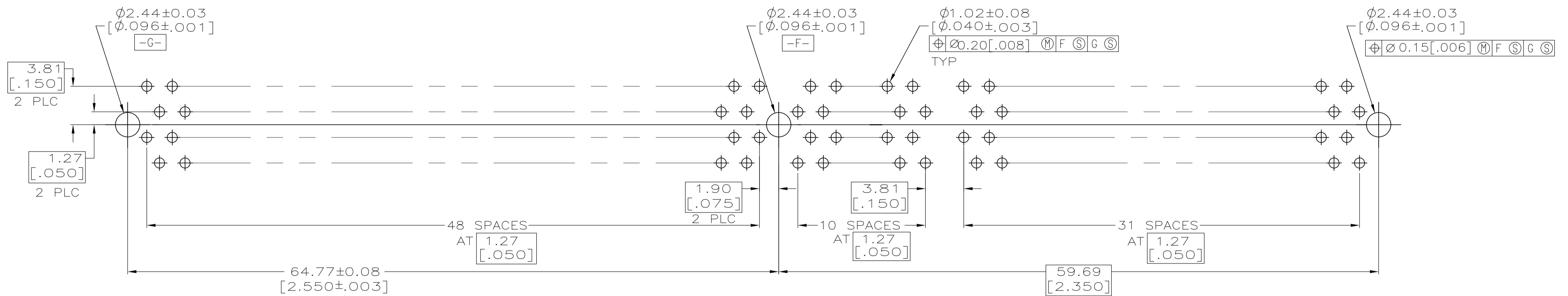
STE TE Connectivity

CONNECTOR ASSEMBLY, 92 DUAL POSITION, 1.27 [.050] SERIES.

REVISIONS				
P	LTR	DESCRIPTION	DATE	OWN
-	-	SEE SHEET 1	-	-



RECOMMENDED MATING BOARD EDGE CONFIGURATION



RECOMMENDED CONNECTOR MOUNTING HOLE PATTERN (CONNECTOR SIDE SHOWN)

THIS DRAWING IS A CONTROLLED DOCUMENT.		DIN AL FRANTUM 23 JUN 05	
DIMENSIONS: mm [INCHES]		CHK AL FRANTUM 23 JUN 05	
TOLERANCES UNLESS OTHERWISE SPECIFIED:		APVD	NAME
0 PLC ± -	1 PLC ± -	PRODUCT SPEC	CONNECTOR ASSEMBLY, 92 DUAL POSITION, 1.27 [.050] SERIES,
2 PLC ± 0.25 [.01]	3 PLC ± 0.125 [.005]	APPLICATION SPEC	108-14034
4 PLC ± ± ±	ANGLES ± ± ±	SIZE	114-26012
MATERIAL SEE SHEET 1	FINISH SEE SHEET 1	WEIGHT	SCALE 4:1 SHEET 2 OF 2 REV A
CUSTOMER DRAWING		00779	5145166